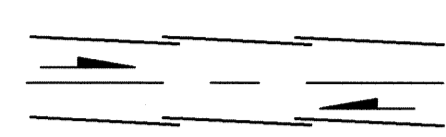
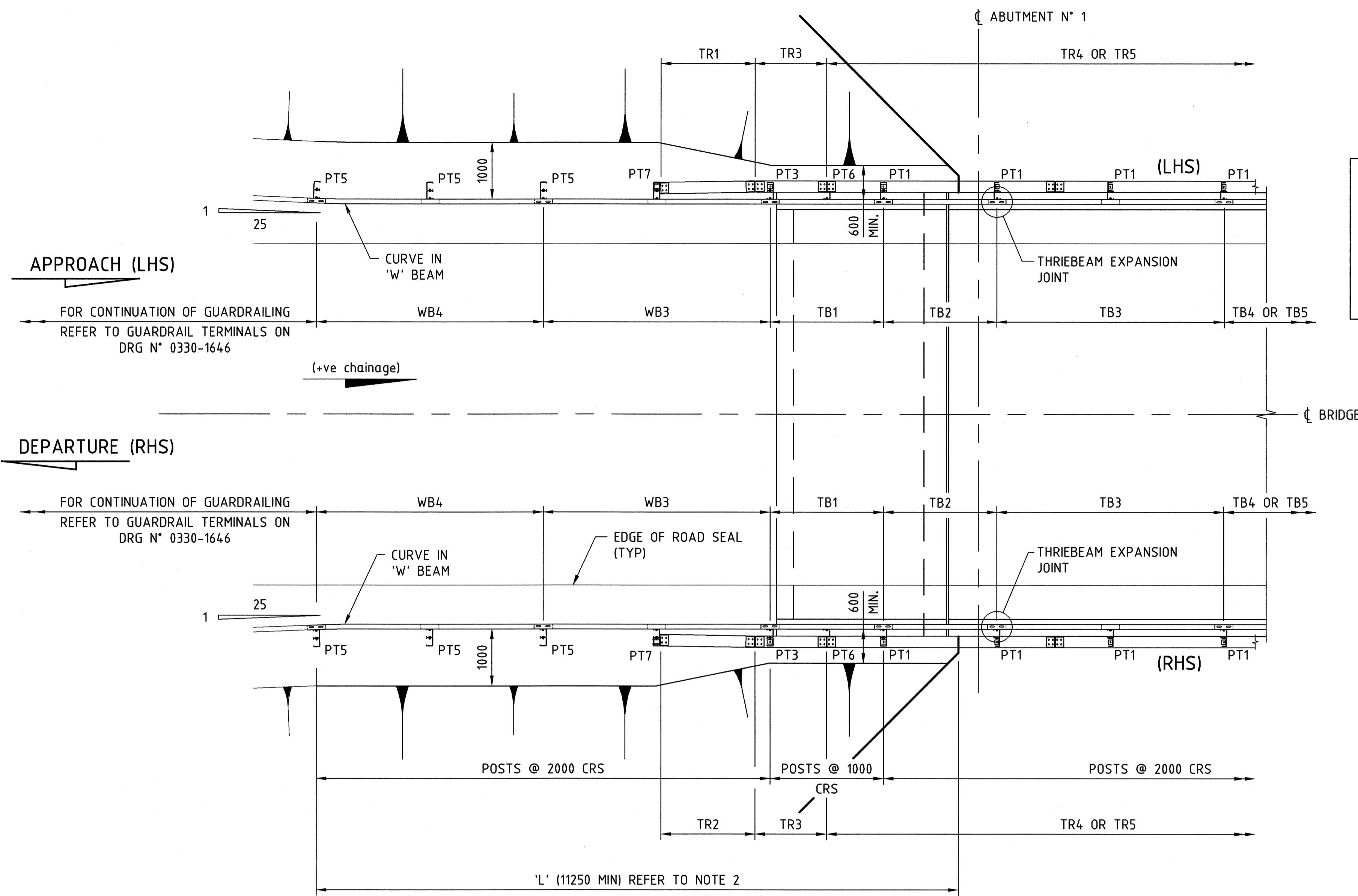


NOTE :-
THIS BRIDGE TRAFFIC BARRIER IS BASED ON TEST LEVEL 3 TRANSITION DETAIL AS PER AS/NZS 3845:1999.

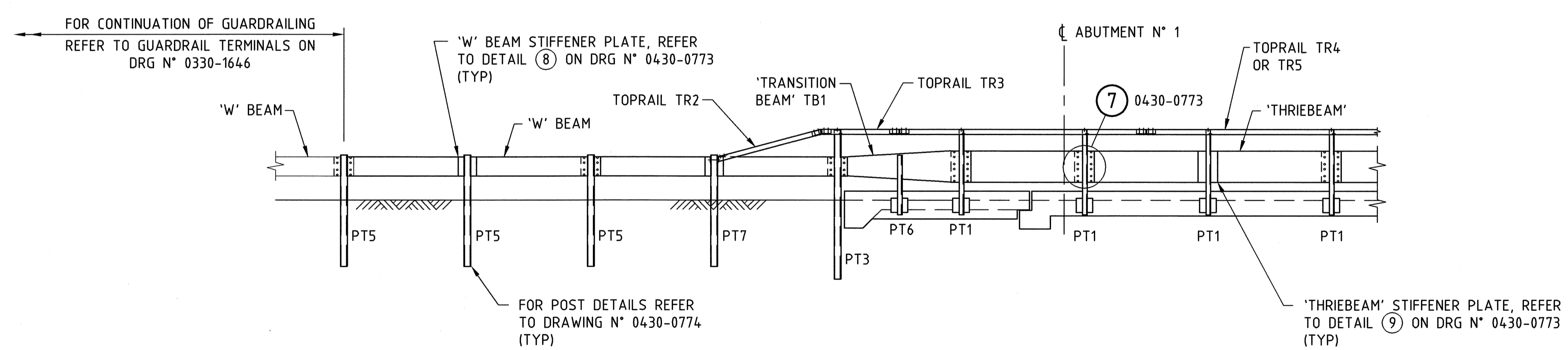
LAP 'W' BEAMS & 'THRIEBEAMS' IN DIRECTION OF TRAFFIC



NOTE :- LAPPING OF GUARDRAIL END TERMINALS (NOT SHOWN) TO SUIT IMPACT ON THE END OF THE TERMINAL



PLAN



ELEVATION

BRIDGE TRAFFIC BARRIER LAYOUT (WITH APPROACH SLAB)

ABUTMENT N° 1 - SHOWN
ABUTMENT N° 2 - SIMILAR
1:50

This drawing is provided as a design guide only and is NOT to be used as a drawing for construction.

NOTES

- FOR NOTES REFER TO DRAWING N° 0430-0772.
- 11250 MIN IS TO SUIT WAMELT END TREATMENT FOR STANDARD 22.5m AND FOR NON STANDARD LENGTHS AND OTHER END TREATMENTS 'L' TO BE DETERMINED AS PART OF THE GUARDRAIL DESIGN.

THIS DRAWING IS AN AMENDMENT OF THE APPROVED DRAWING.

THIS DRAWING SHALL BE READ IN CONJUNCTION WITH DRG N°s 0430-0772 TO 0430-0777 & DRG 0330-1646

13/12/04	AMENDED DIMENSION ON PLAN & ADDED NOTE 2.	
No.	DATE	DESCRIPTION
AMENDMENTS		
CLIENT		
APPROVED FOR IMPLEMENTATION		
FILE NUMBER	FOLIO	DATE
APPROVED		DATE
CONSULTANT		
TECHNOLOGY AND ENVIRONMENT DIRECTORATE		
PAVEMENT AND STRUCTURES ENGINEERING		
Telephone (08) 9323 4111		Fax (08) 9323 4136
FILE No.	04/7101	JOB No.
DRAWN	W. GILES SEPTEMBER 2004	DESIGNED
CHECKED	T. SLATTERY 8/10/04	VERIFIED
APPROVED	A. LIM	8/10/04



STRUCTURES ENGINEERING

GUIDELINE DRAWING
LOW PERFORMANCE LEVEL BARRIER FOR CONCRETE OVERLAY BRIDGES WITH TOPRAIL AND APPROACH SLAB

LOCAL AUTHORITY () DRAWING NUMBER AMEND.

0430-0771-1

SCALE 1:50
MICROFILM DATE A1