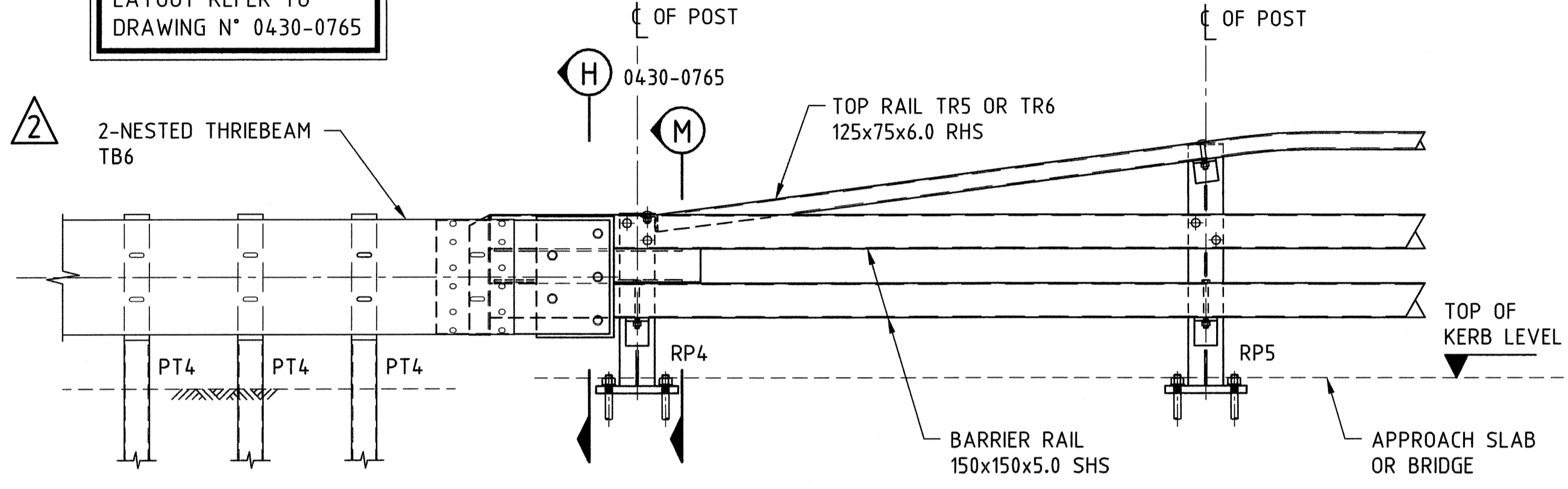
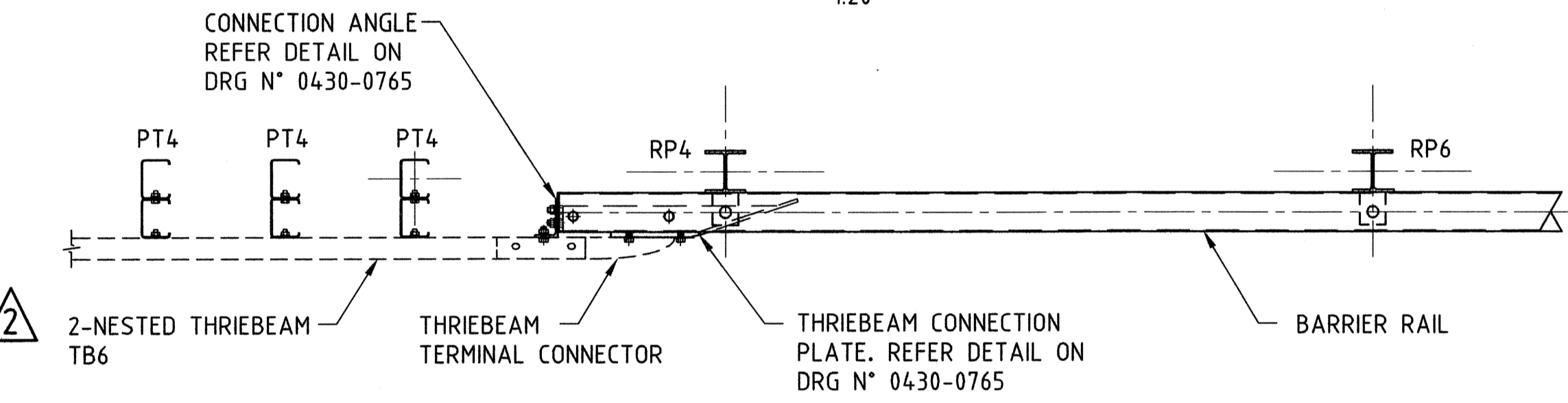


**PLAN AT TOP RAIL LEVEL**  
1:20

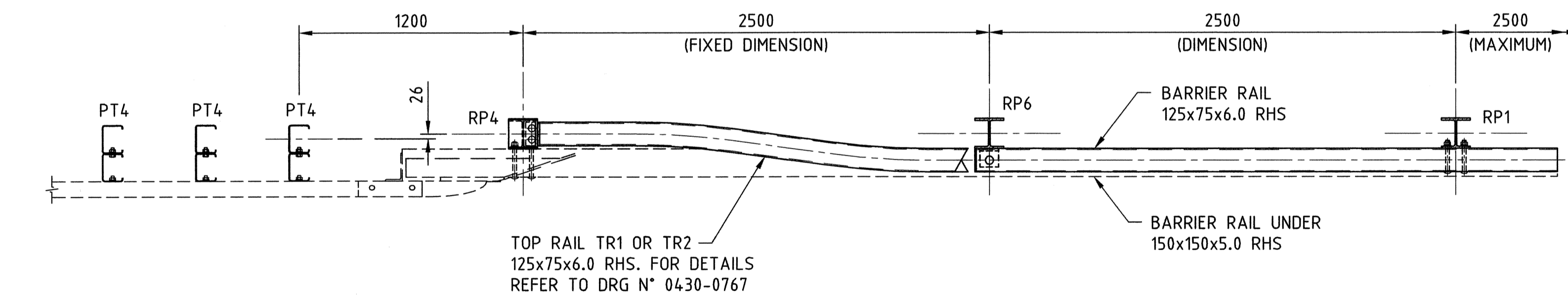
FOR CONTINUATION OF GUARDRAIL AND POST LAYOUT REFER TO DRAWING N° 0430-0765



**ELEVATION - THREE RAIL SYSTEM**  
1:20

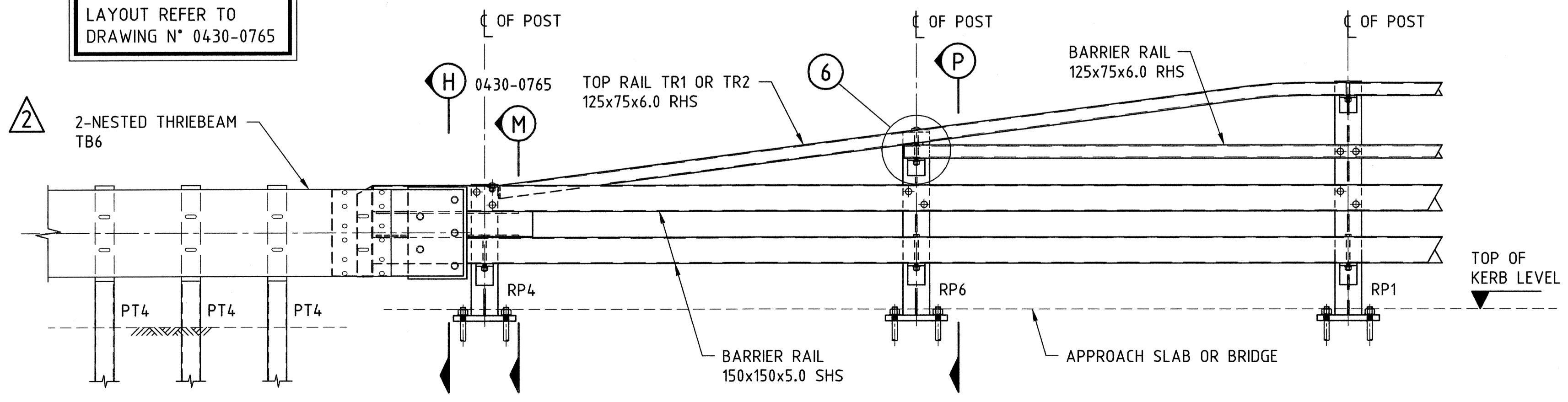


**PLAN AT SHS BARRIER RAIL LEVEL FOR THREE AND FOUR RAIL SYSTEM**  
1:20

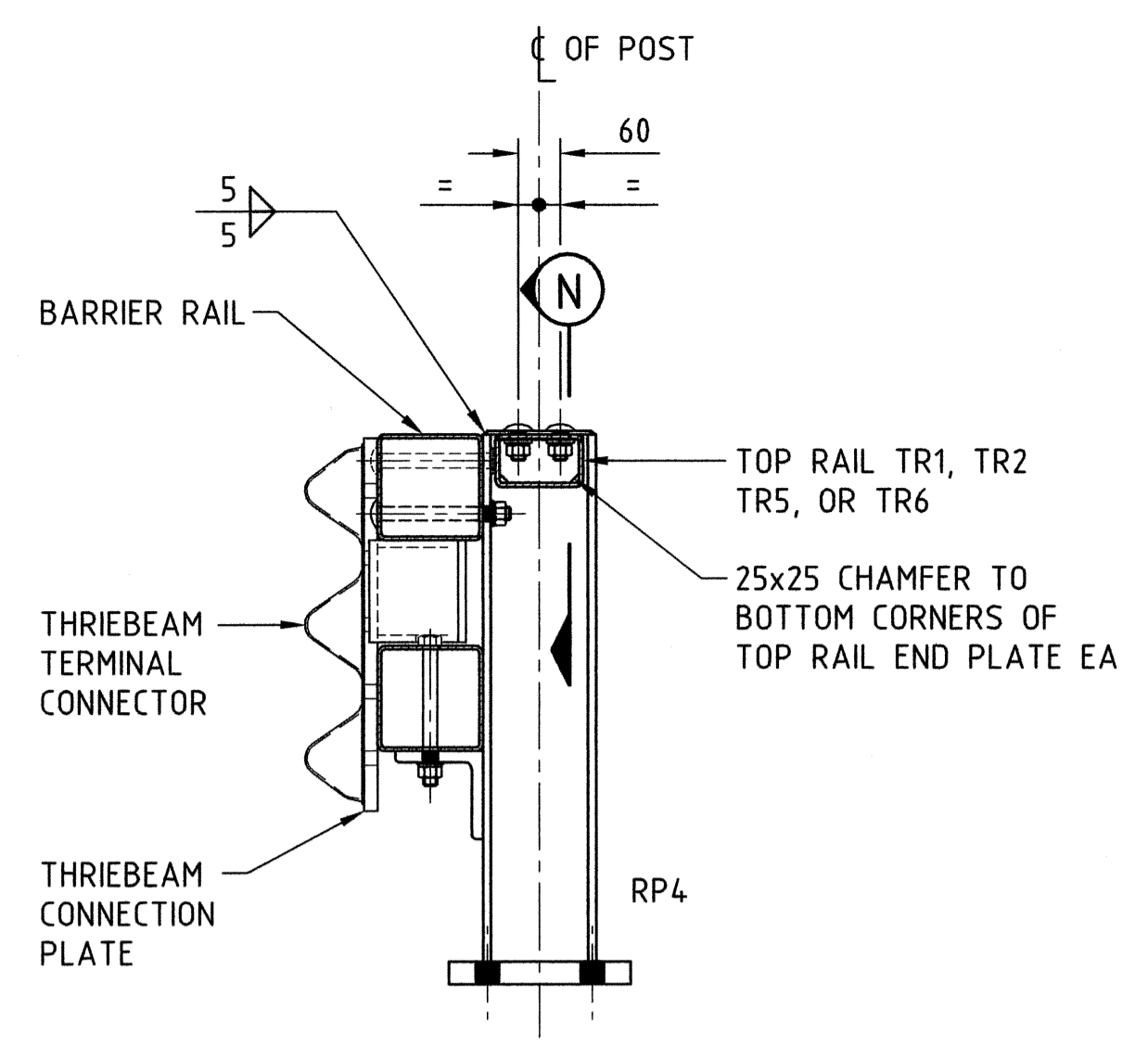


**PLAN AT TOP RAIL LEVEL**  
1:20

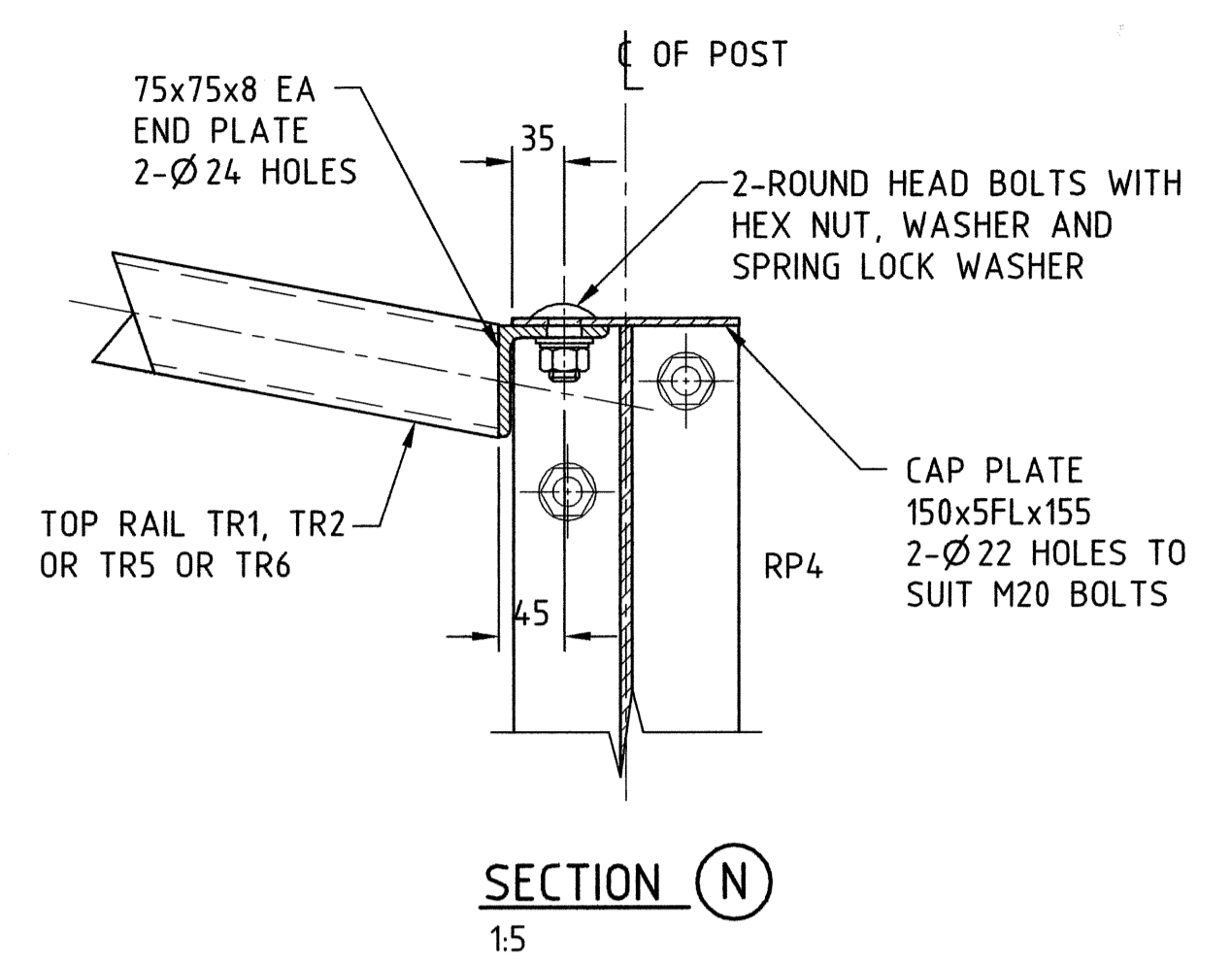
FOR CONTINUATION OF GUARDRAIL AND POST LAYOUT REFER TO DRAWING N° 0430-0765



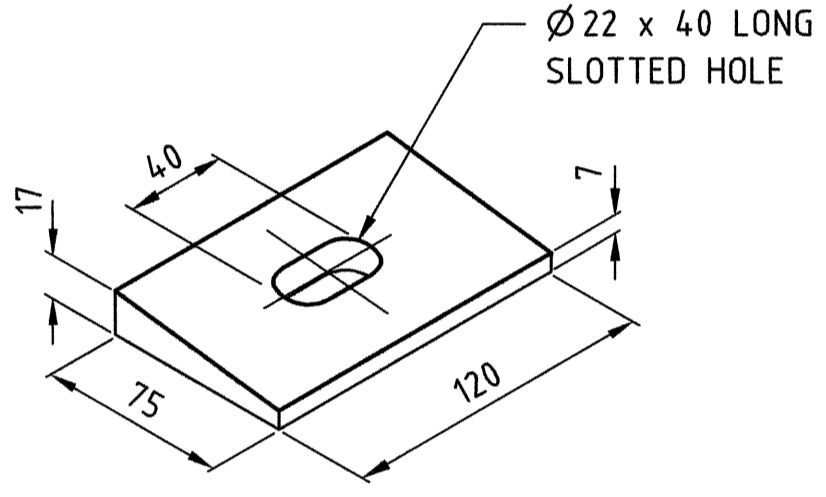
**ELEVATION - FOUR RAIL SYSTEM**  
1:20



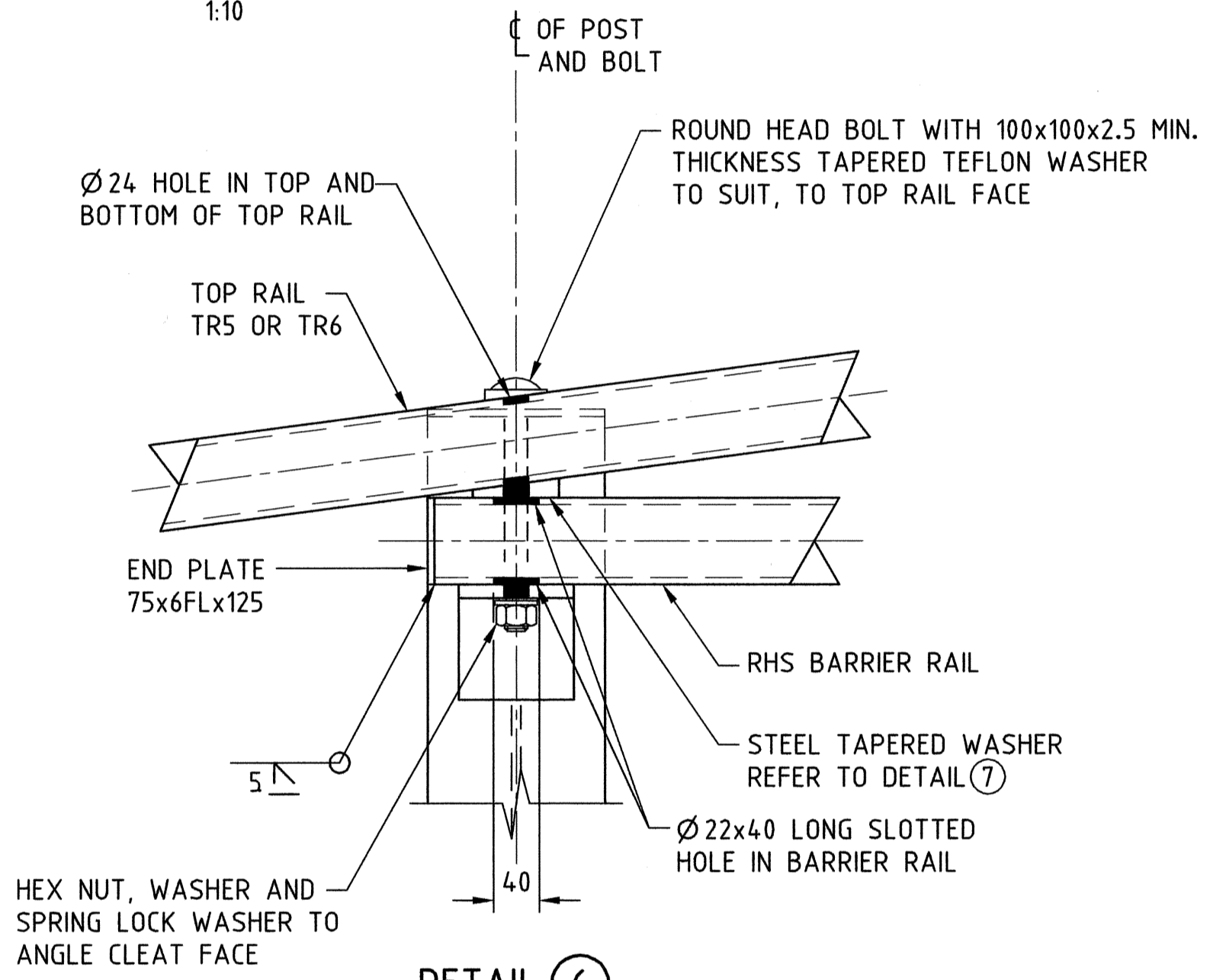
**SECTION M**  
1:10



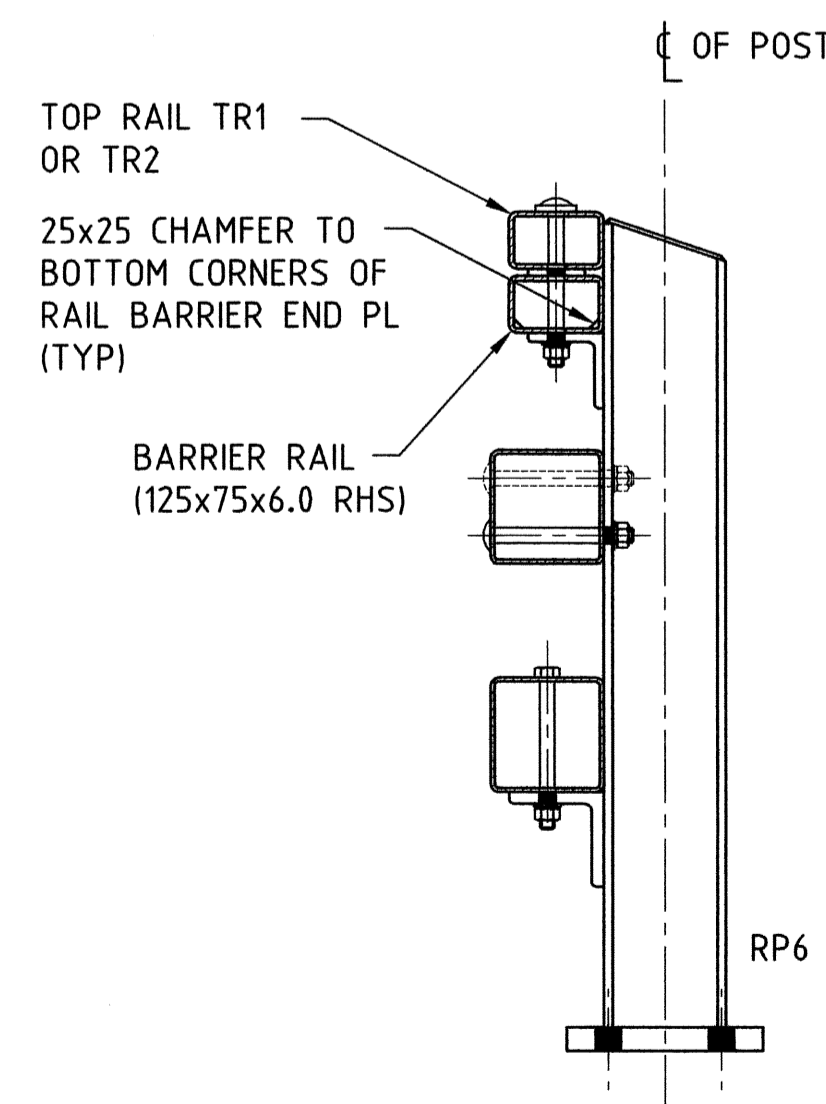
**SECTION N**  
1:5



**DETAIL 7**  
TAPERED WASHER  
N.T.S.



**DETAIL 6**  
TAPERED WASHER  
1:5



**SECTION P**  
1:10

**NOTES:**  
1. FOR NOTES REFER TO DRG N° 0430-0761

THIS DRAWING IS AN AMENDMENT OF THE APPROVED DRAWING. *W. K. Giles*

THIS DRAWING SHALL BE READ IN CONJUNCTION WITH DRG N° 0430-0765 & 0767.

No.	DATE	DESCRIPTION	AUTHORISED
Δ	04/04/05	AMENDED NESTED THRIEBEAM DESIGNATION DRAWING TITLEBLOCK UPGRADED.	<i>W. K. Giles</i>
Δ	12/11/04	AMENDED THRIEBEAM CONNECTION PLATE AND CONNECTION ANGLE IN THREE RAIL AND FOUR RAIL SYSTEM PLANS, ELEVATIONS AND SECT M.	R. WOON 16/11/04

**AMENDMENTS**

TECHNOLOGY AND ENVIRONMENT DIRECTORATE	
PAVEMENT AND STRUCTURES ENGINEERING	
Telephone (08) 9323 4111	Fax (08) 9323 4136
FILE No. 04/7101	JOB No.
DRAWN C. FITZGERALD JUNE 04	DESIGNED R. WOON 2/9/04
CHECKED T. SLATTERY JUNE 04	VERIFIED A. LIM 2/9/04
APPROVED R.F. SCANLON	2/9/04



**STRUCTURES ENGINEERING**  
STANDARD DRAWING  
REGULAR PERFORMANCE  
LEVEL BARRIER  
THREE & FOUR RAIL BARRIER TRANSITION

LOCAL AUTHORITY ( ) DRAWING NUMBER AMEND.  
**0430-0766-2**

SCALE 1:50mm 100 150 200 250 300 350 400 450 500 1:10 100mm 200 300 400 500 600 700 800 900 1000 1:20 200mm 400 600 800 1000 1200 1400 1600 1800 2000