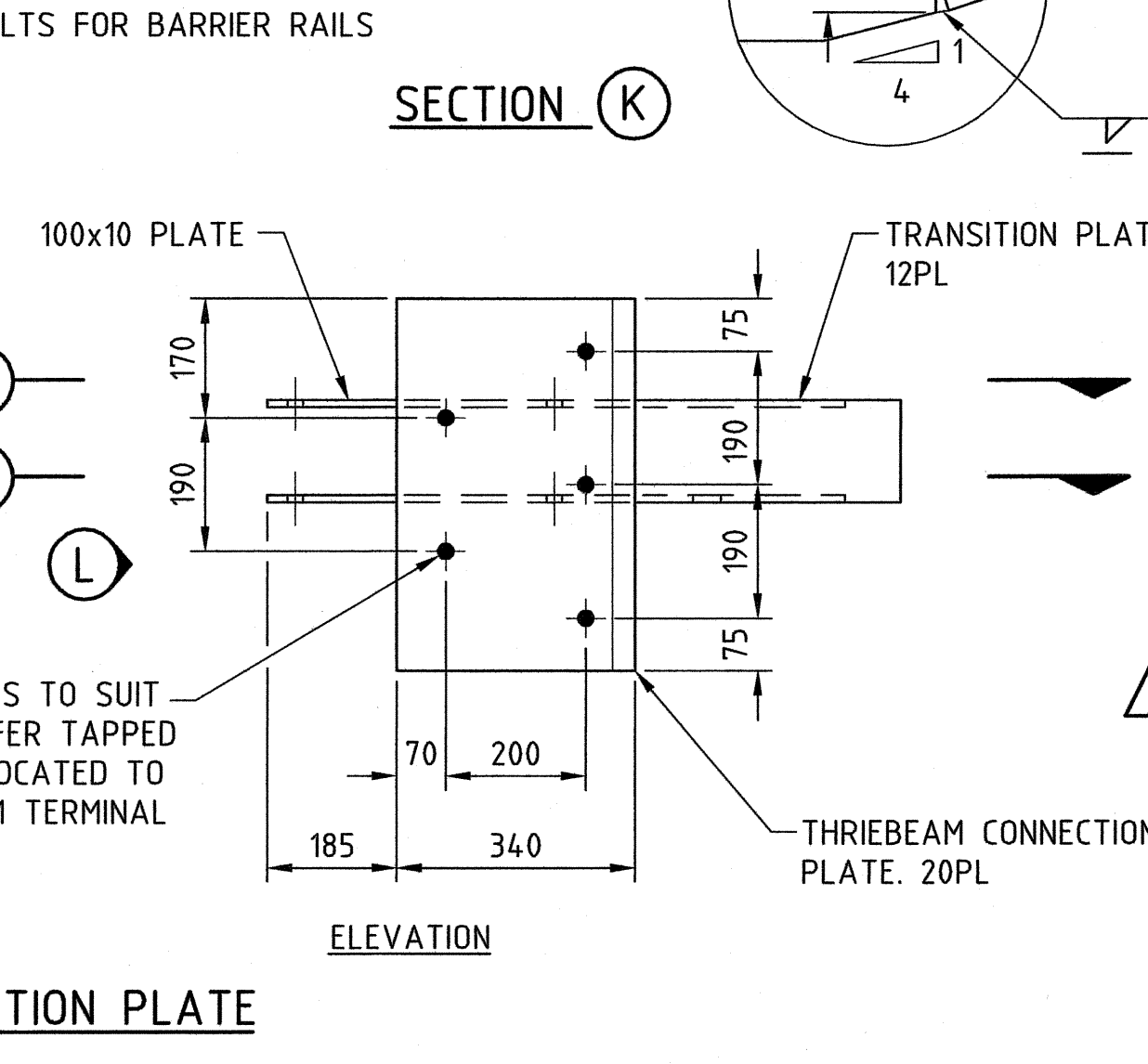
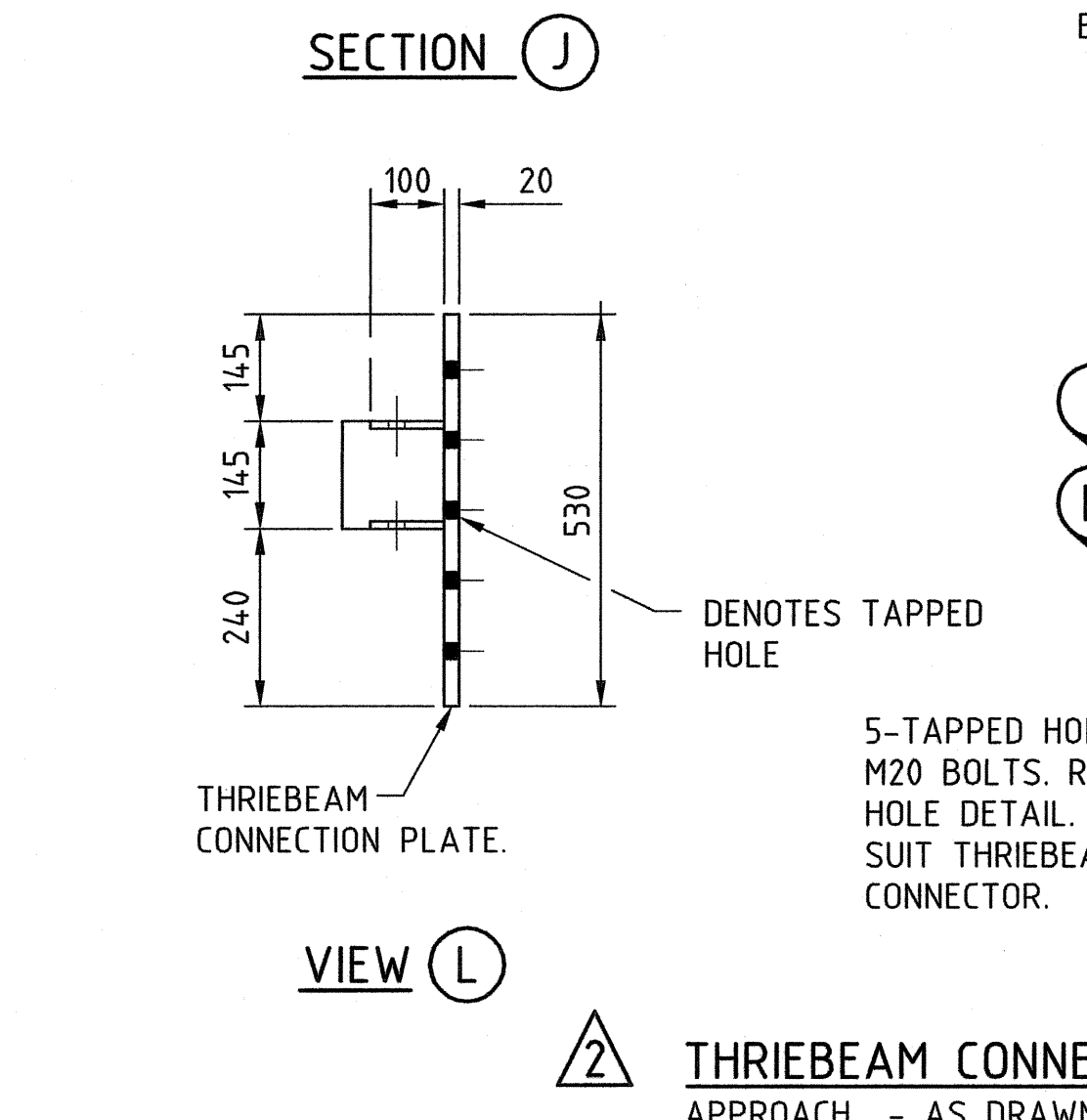
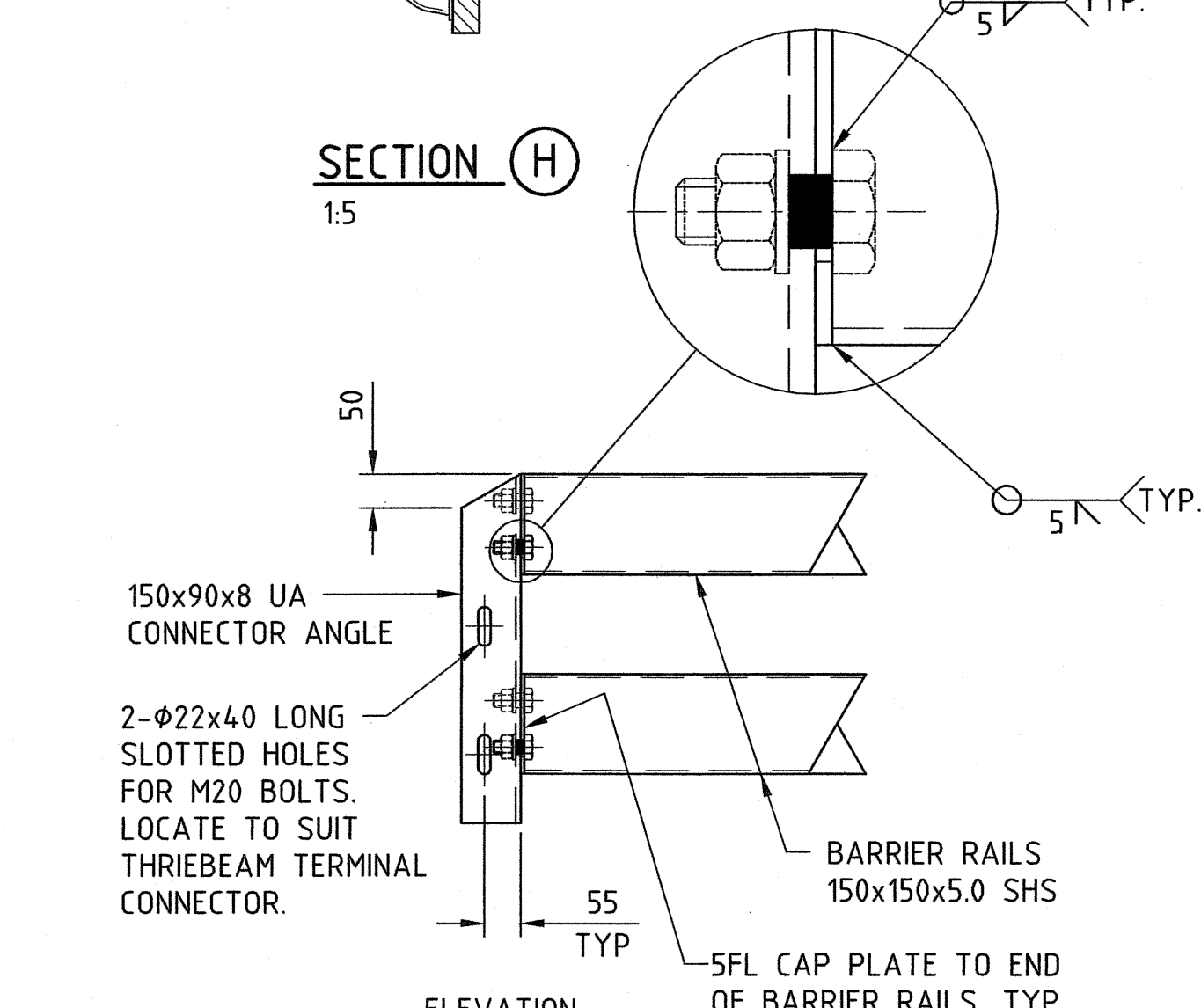
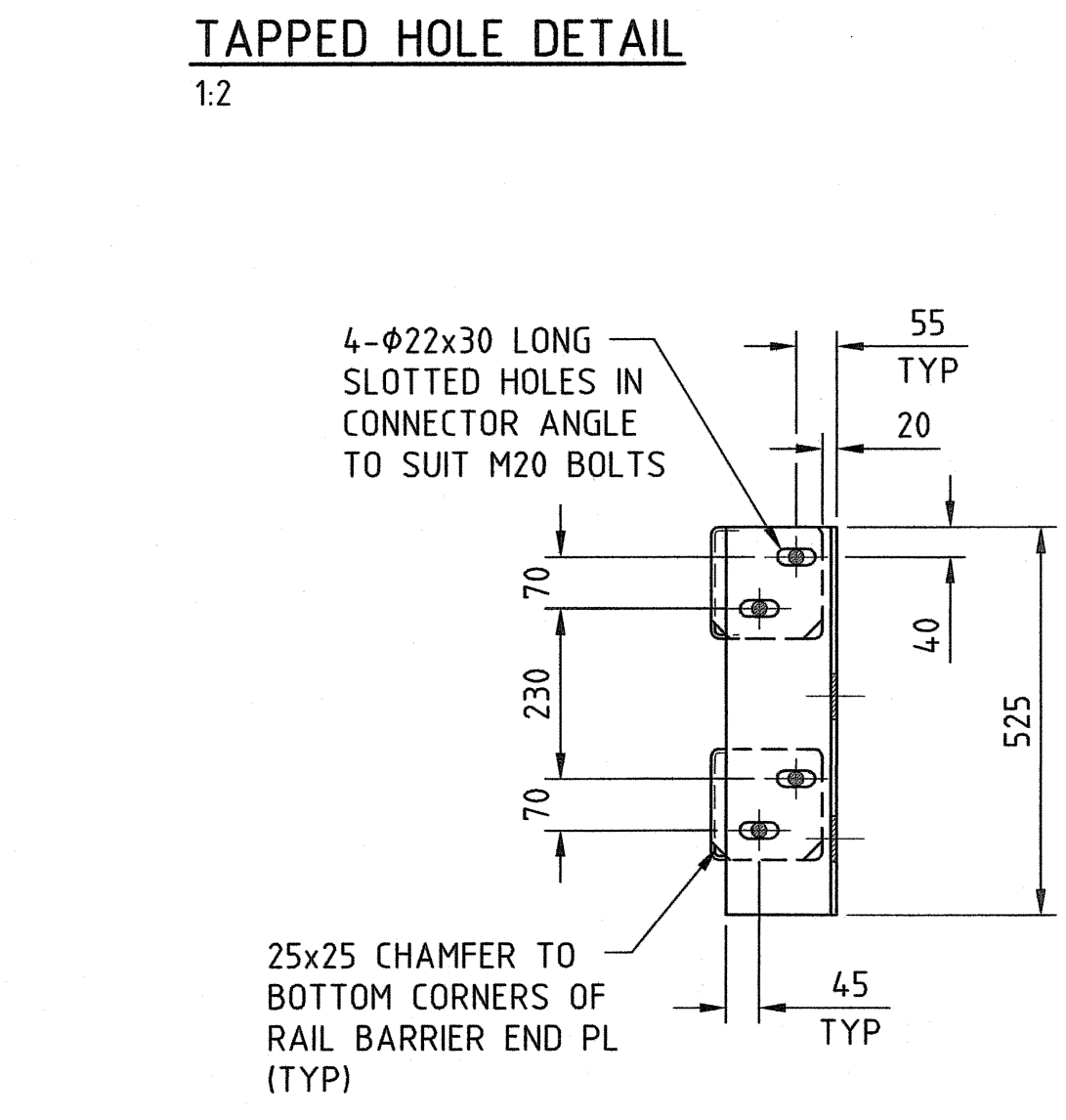
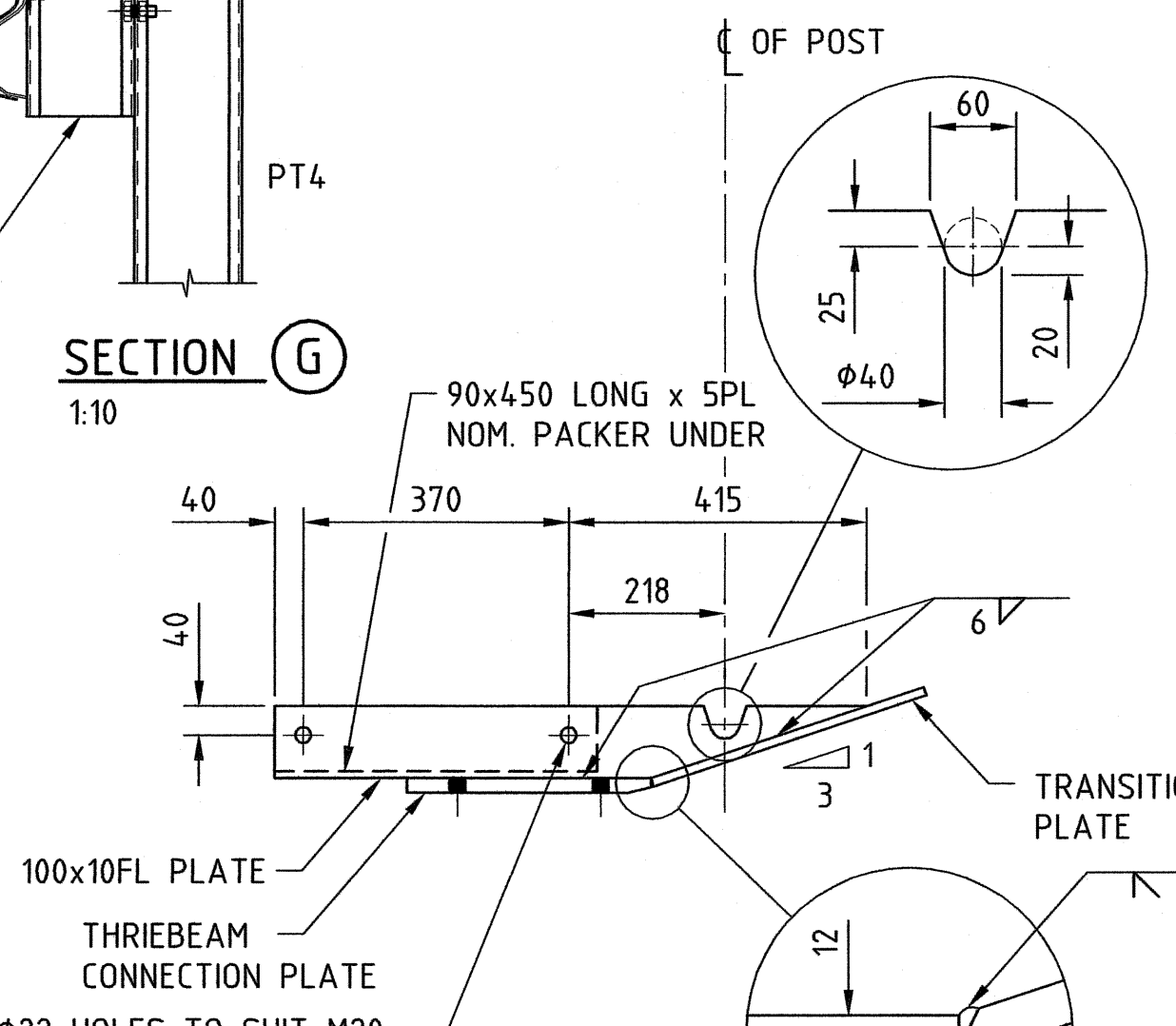
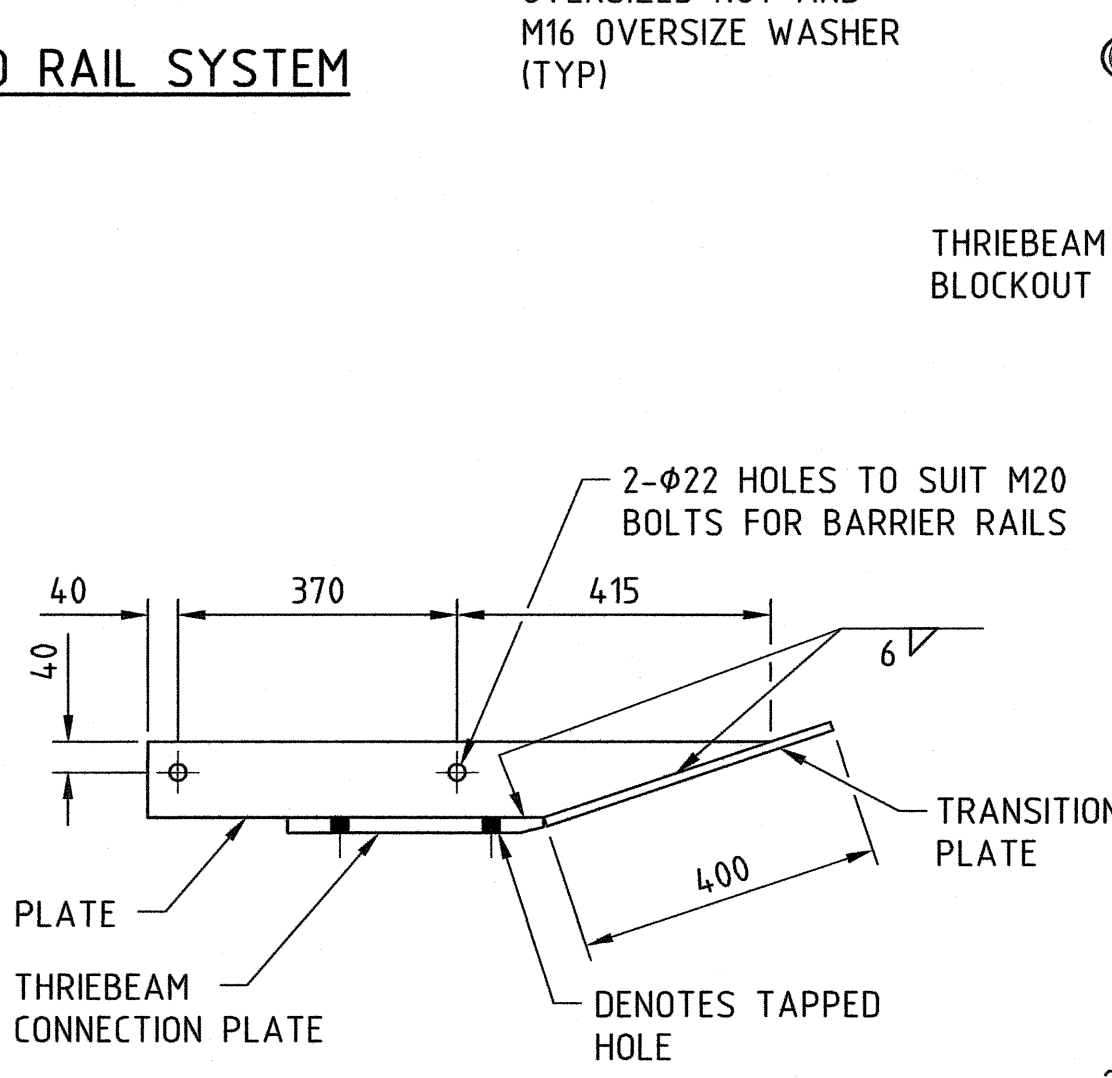
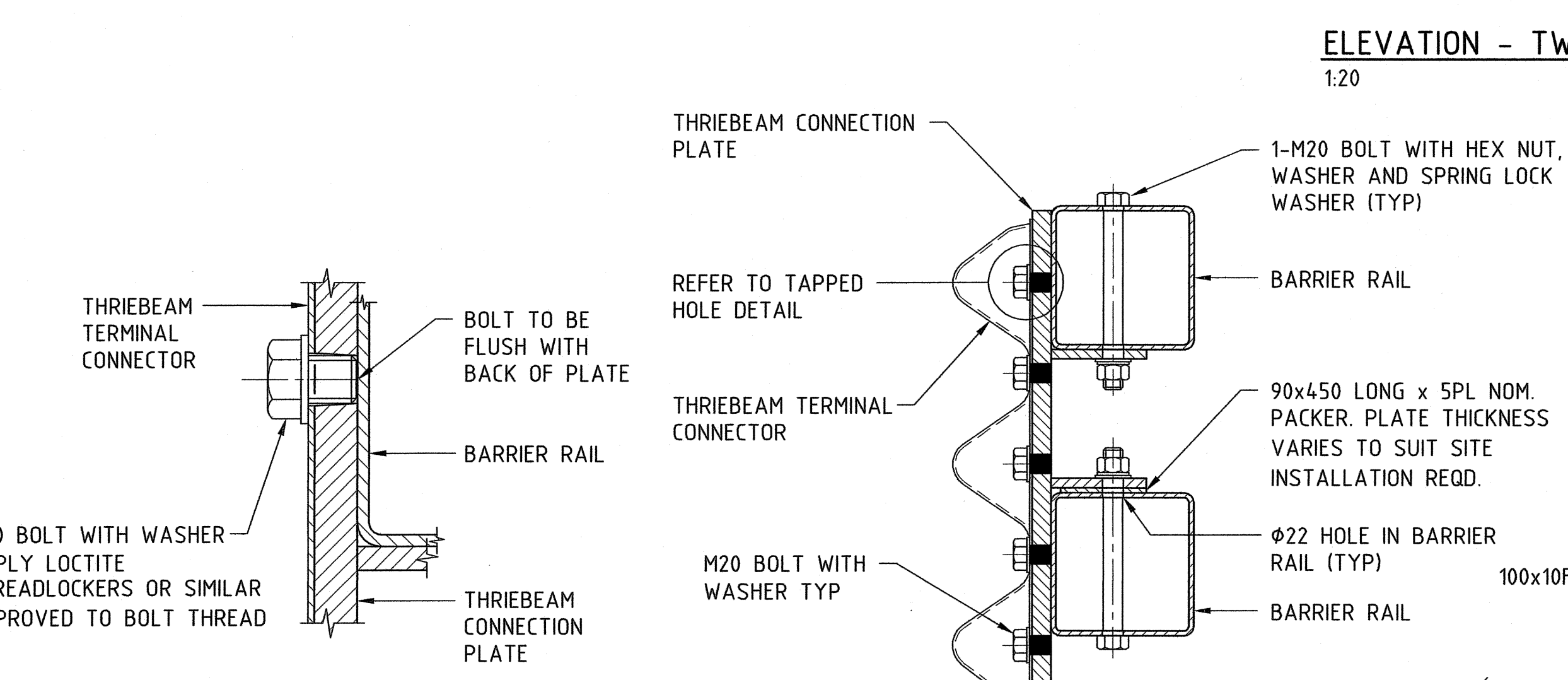


FOR DETAILS OF MUSHROOM HEAD BOLTS REFER TO STANDARD DRG N° 0230-0006

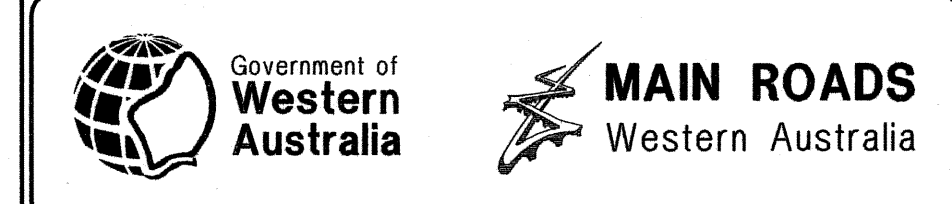


THRIEBEAM CONNECTION PLATE  
APPROACH - AS DRAWN  
DEPARTURE - OPPOSITE HAND  
1:10

NOTES:  
1. FOR NOTES REFER TO DRG N° 0430-0761.

No.	DATE	DESCRIPTION	AUTHORISED
16/05/06		ADDED DEPARTURE OPTION TO THRIEBEAM CONNECTION PLATE DETAIL. DRAWING TITLEBLOCK UPGRADED.	
12/11/04		AMENDED THRIEBEAM CONNECTION PLATE AND CONNECTION ANGLE IN ELEVATION, PLAN, SECT (H), CONNECTION ANGLE DETAIL AND THRIEBEAM CONNECTION PLATE DETAIL. AMENDED HEIGHT RELATIONSHIP BETWEEN THRIEBEAM AND BARRIER RAIL IN PLAN AND ELEVATION.	R. WOOD 16/11/04

AMENDMENTS			
TECHNOLOGY AND ENVIRONMENT DIRECTORATE PAVEMENT AND STRUCTURES ENGINEERING			
Telephone (08) 9323 4111		Fax (08) 9323 4136	
FILE No.	04/7101	JOB No.	
DRAWN	C. FITZGERALD JUNE 04	DESIGNED	RAPHAEL WOON
CHECKED	T. SLATTERY JUNE 04	VERIFIED	A. LIM 9/9/04
APPROVED	R.F. SCANLON		SEPT 04



STRUCTURES ENGINEERING  
STANDARD DRAWING  
REGULAR PERFORMANCE  
LEVEL BARRIER  
TWO RAIL BARRIER TRANSITION

LOCAL AUTHORITY ( ) DRAWING NUMBER AMEND.  
0430-0765-2

THIS DRAWING IS AN AMENDMENT OF THE APPROVED DRAWING.

THIS DRAWING SHALL BE READ IN CONJUNCTION WITH DRG N° 0430-0766.

1:20  
0 200mm 400 600 800 1000 1200 1400 1600 1800 2000 2200 2400 2600 2800 3000  
1:10  
0 100mm 200 300 400 500 600 700 800 900 1000  
1:5  
0 200mm 40 60 80 100 120 140 160 180 200  
1:2  
0 200mm 40 60 80 100 120 140 160 180 200  
SCALE  
MICROFILM DATE  
A 1