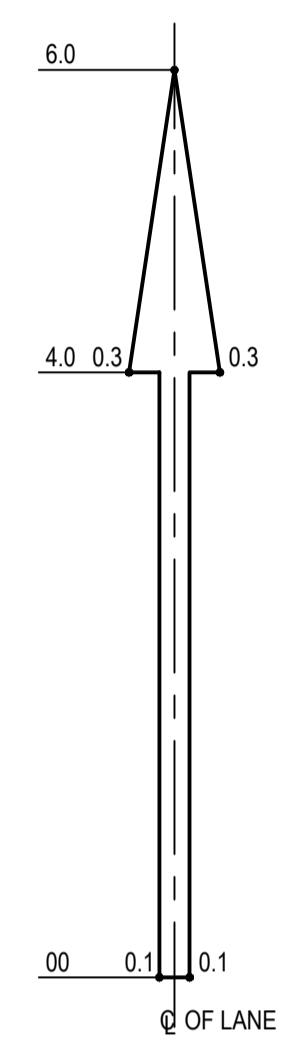


AMENDMENTS

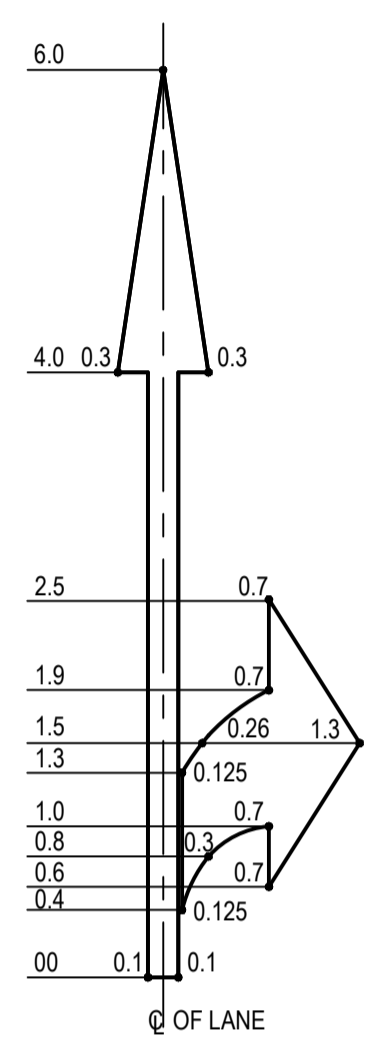
No.	DESCRIPTION	APPROVED & DATE
4	COMBINED STRAIGHT BUS/LEFT ARROW ADDED. NEW TITLE BLOCK.	R. KOORENGEVEL 20/3/12
5	OBLIQUE RIGHT TURN ARROW ADDED.	D.LANDMARK 2.10.14
6	YELLOW PAVEMENT MARKING MADE YELLOW.	R. KOORENGEVEL 6/9/16
7	TITLE BLOCK & FILE No. UPDATED,NOTE 4 DELETED.	C. MAGRIPLUS 07/09/2023

NOTES

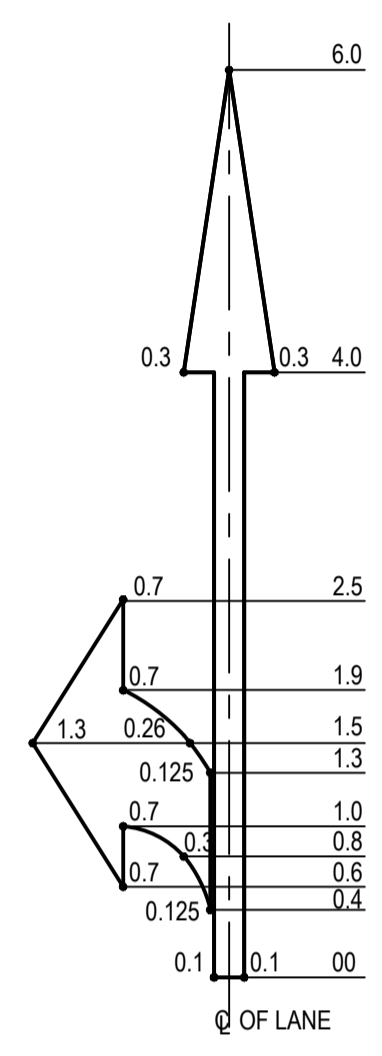
- FOR DETAILS ON MATERIALS SEE SPECIFICATION 604 PAVEMENT MARKING.
- FOR POSITIONING DETAILS SEE DRG. 9531-2011.
- LATERAL DIMENSIONS SHOWN ARE FROM THE CENTRE LINE OF THE LANE.
- THE "OBLIQUE, RIGHT TURN" ARROW IS ONLY USED WHERE THE "STRAIGHT THROUGH" MOVEMENT IS AT AN OBLIQUE ANGLE TO THE RIGHT AND COULD BE CONFUSED WITH THE RIGHT TURN MOVEMENT.



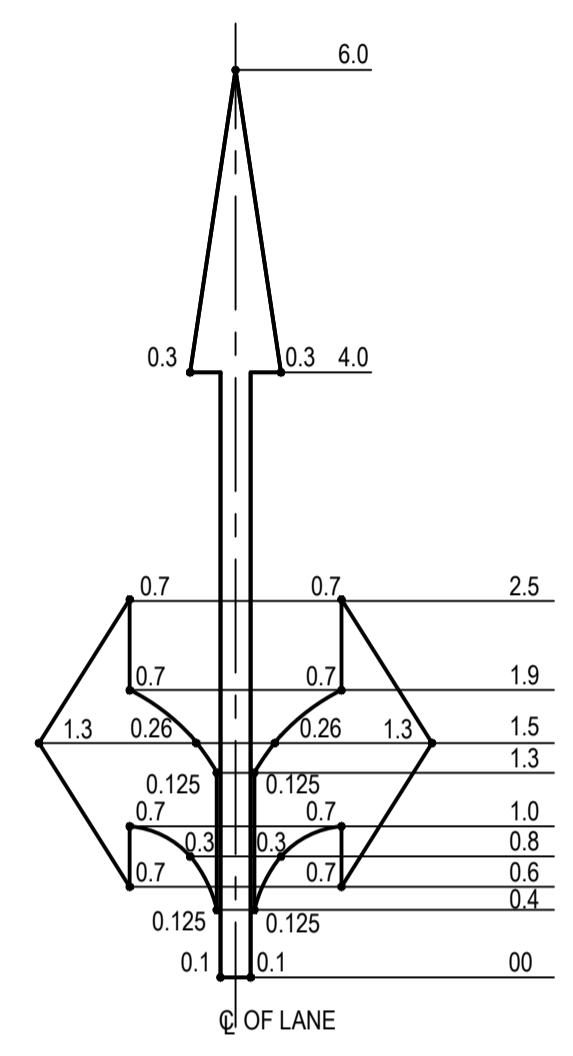
STRAIGHT ARROW



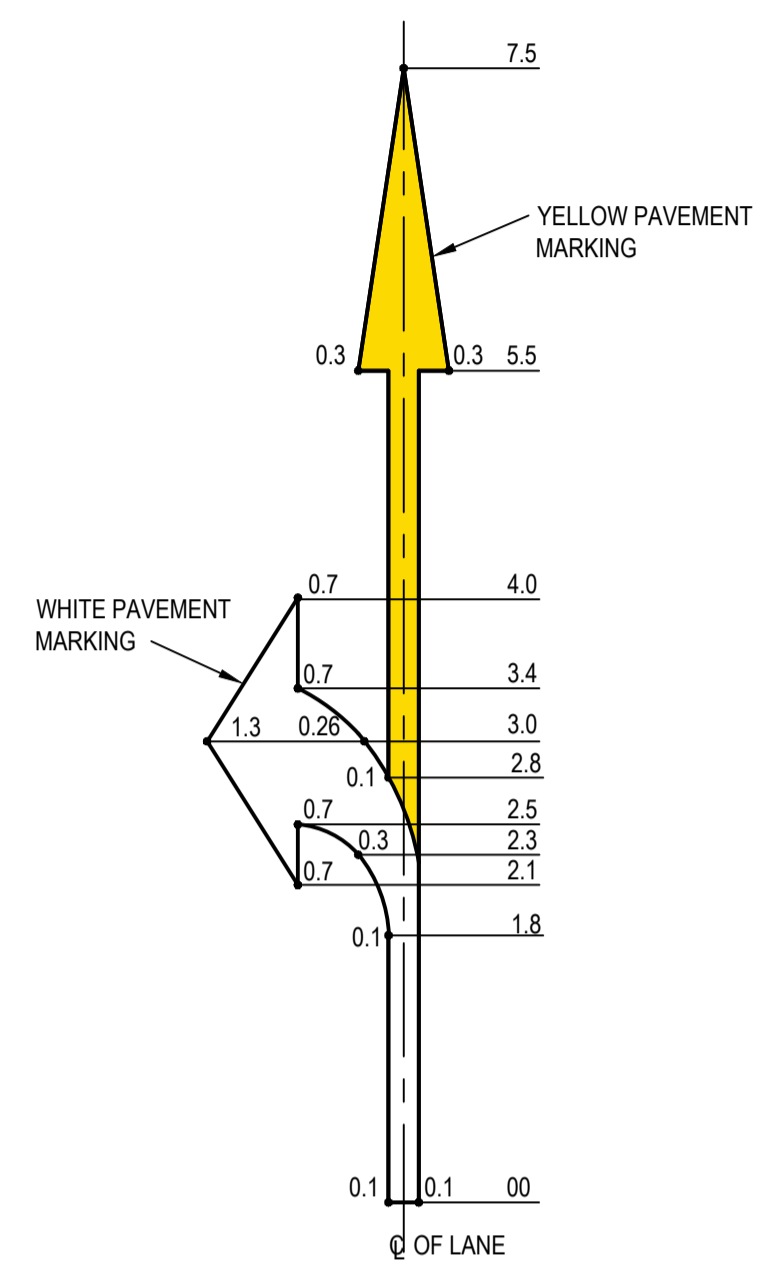
STRAIGHT, RIGHT TURN



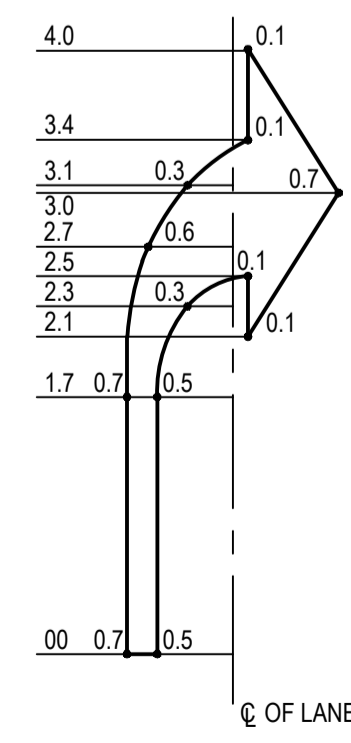
STRAIGHT, LEFT TURN



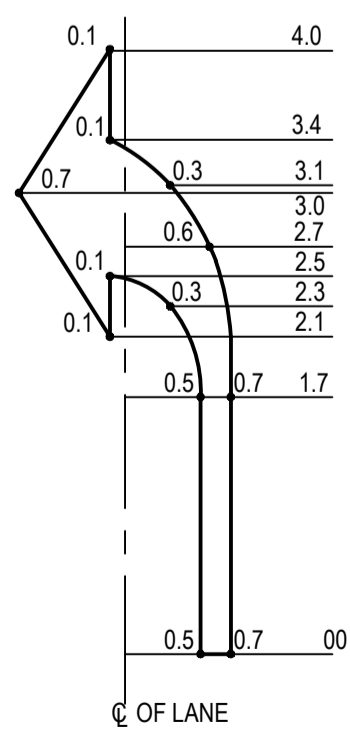
STRAIGHT, LEFT, RIGHT TURN



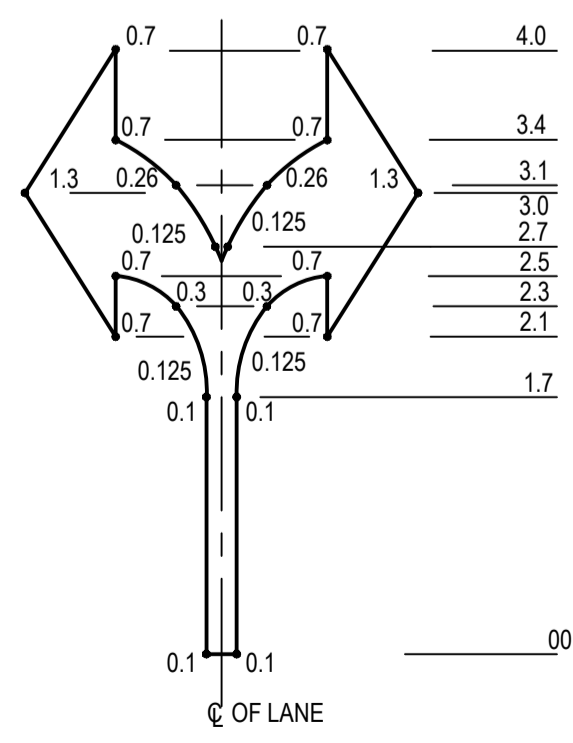
STRAIGHT BUS, LEFT TURN



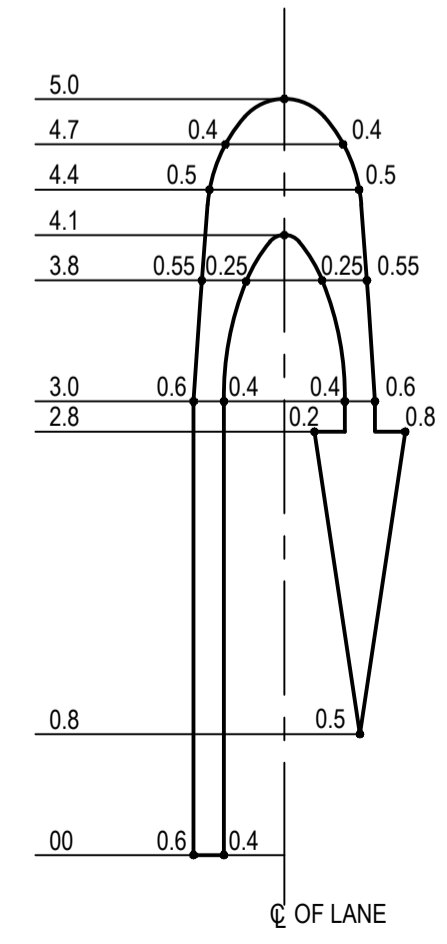
RIGHT TURN



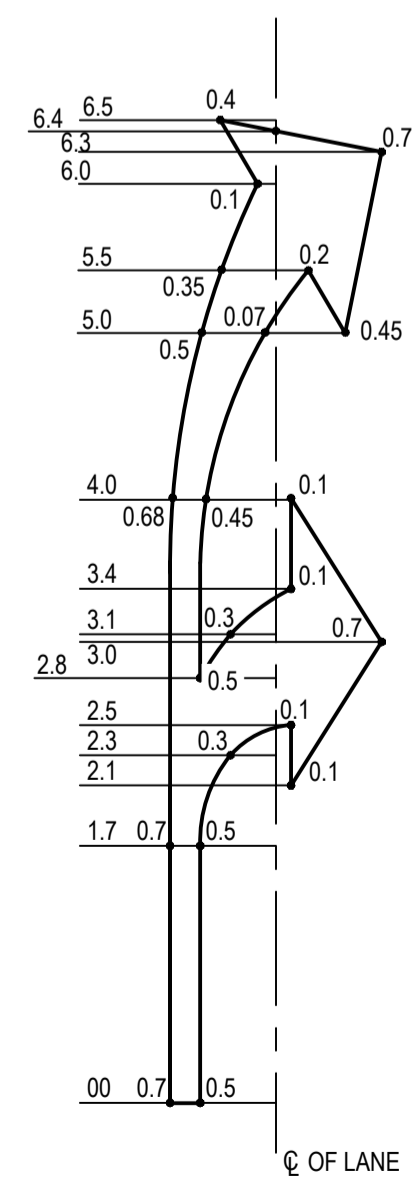
LEFT TURN



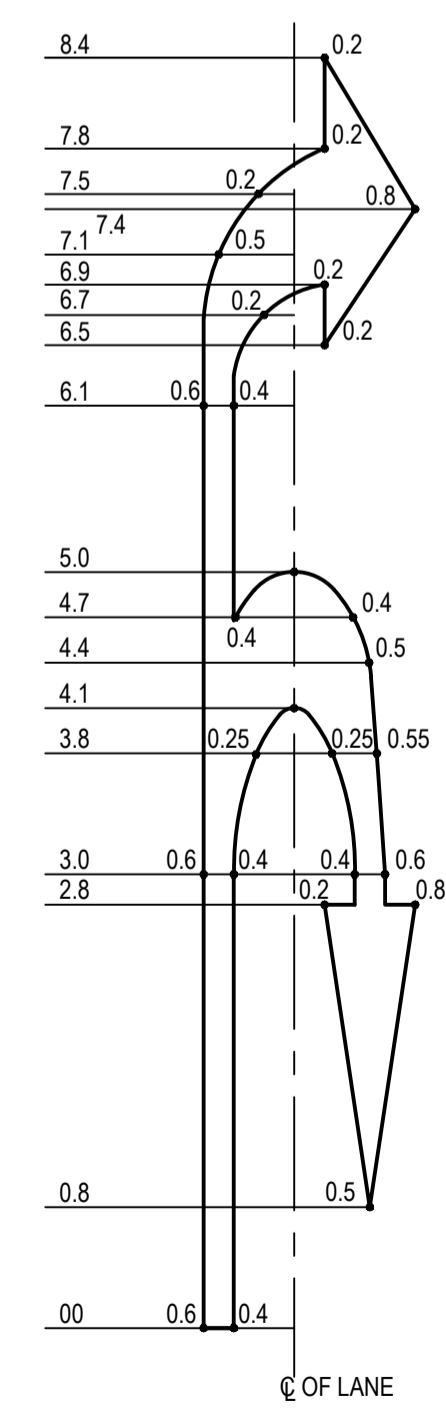
LEFT, RIGHT TURN



U-TURN





OBLIQUE, RIGHT TURN
(SEE NOTE 4)



RIGHT, U-TURN



PLANNING AND TECHNICAL SERVICES DIRECTORATE
ROAD AND TRAFFIC ENGINEERING BRANCH
 WATERLOO CRESCENT EAST PERTH 6004
 Telephone 138 138

DRAWN	C. WOOLDRIDGE 23/1/94
DESIGNED	C. WOOLDRIDGE 23/1/94
VERIFIED	K. TURNER 23/3/95
APPROVED	V. JOGNSON 28/3/95
FILE NO.	13/4330

**STANDARD DRAWING
PAVEMENT ARROWS
DIMENSIONS**

MRWA DRAWING NUMBER
9531-2010-7

1:50 0 0.5m 1 1.5 2 2.5 3 3.5 4 4.5 5 5.5 6 6.5 7 7.5

A 1