

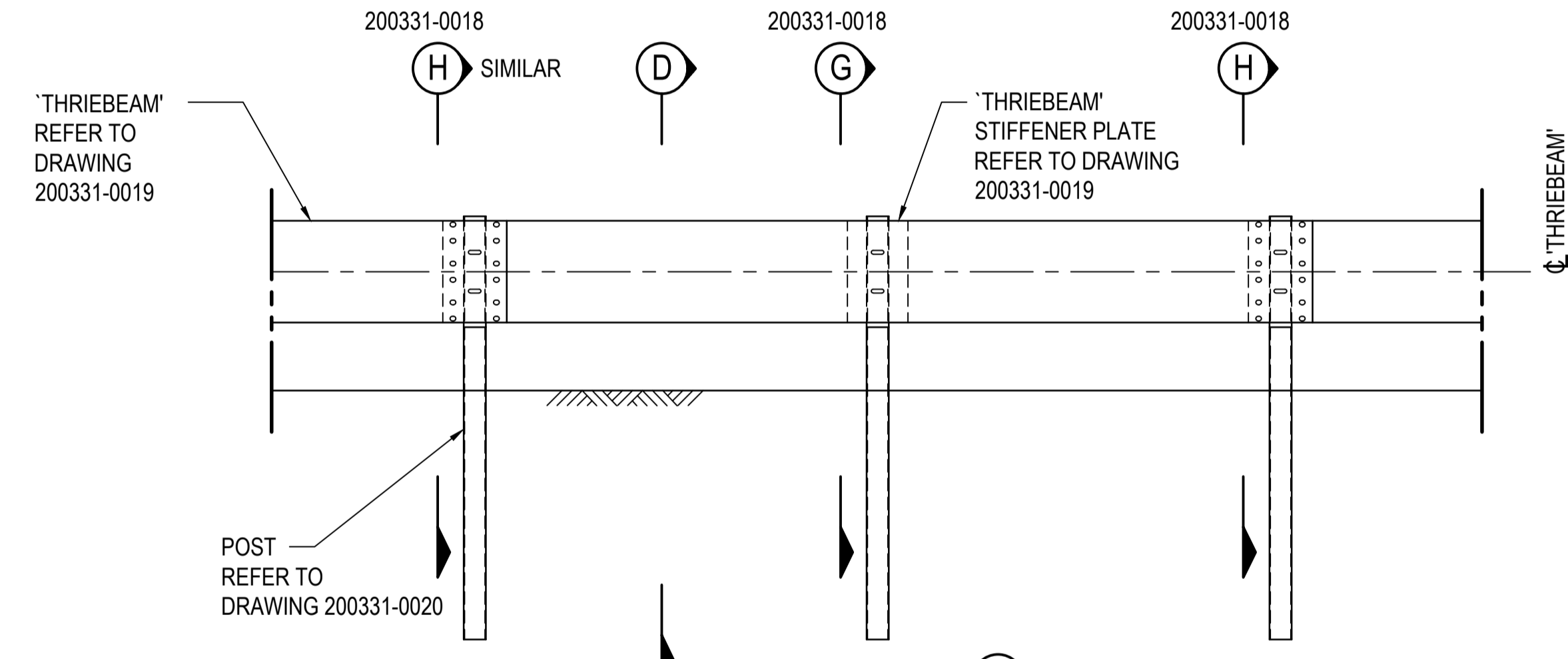
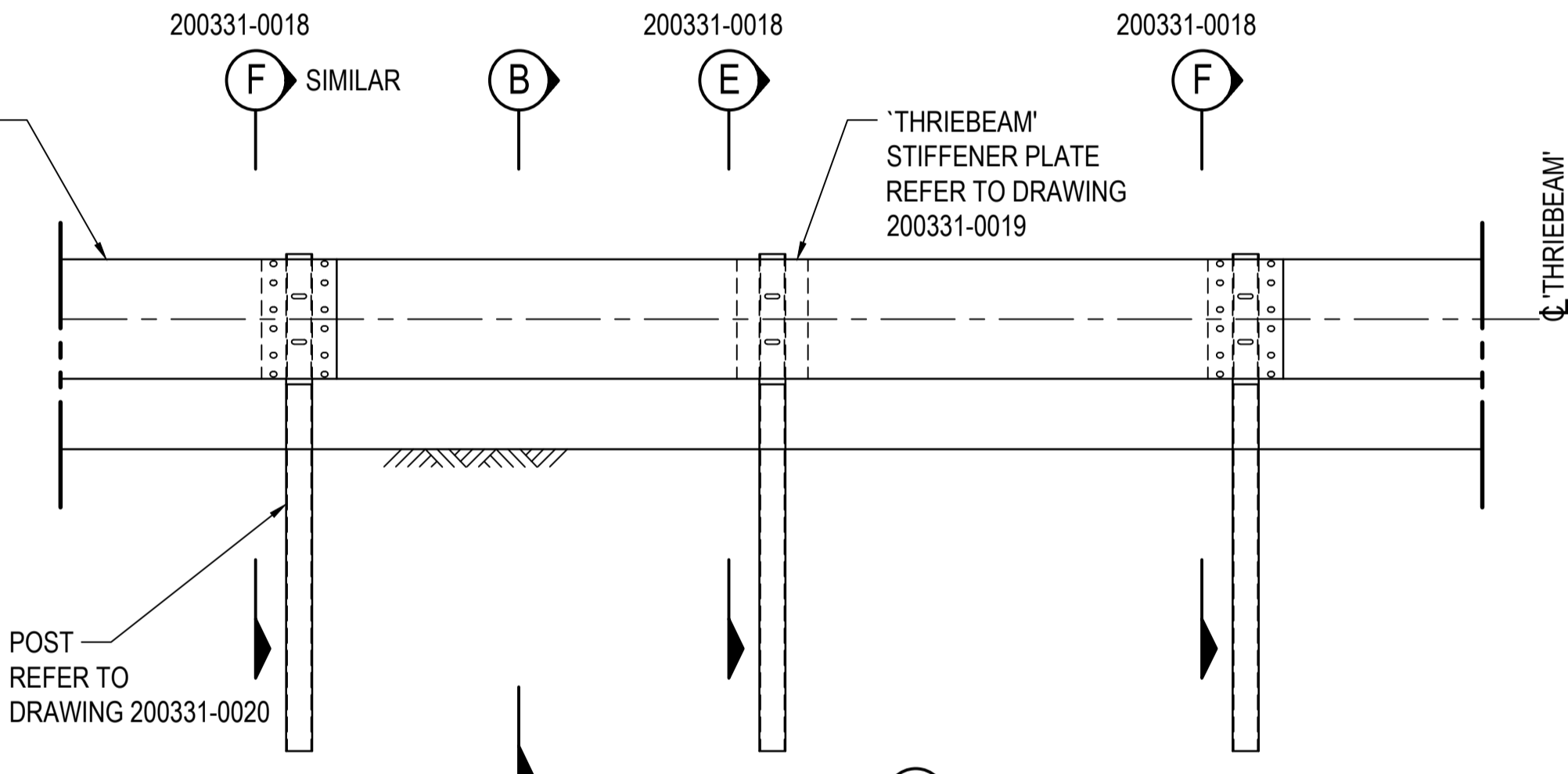
NOTE:
THIS THRIEBEAM IS ONLY TO BE USED IN TRANSITIONS.

LAP 'THRIEBEAM' PANELS IN DIRECTION OF TRAFFIC Eg.

LAP 'THRIEBEAM' PANELS IN DIRECTION OF TRAFFIC Eg.

PLAN 1:25

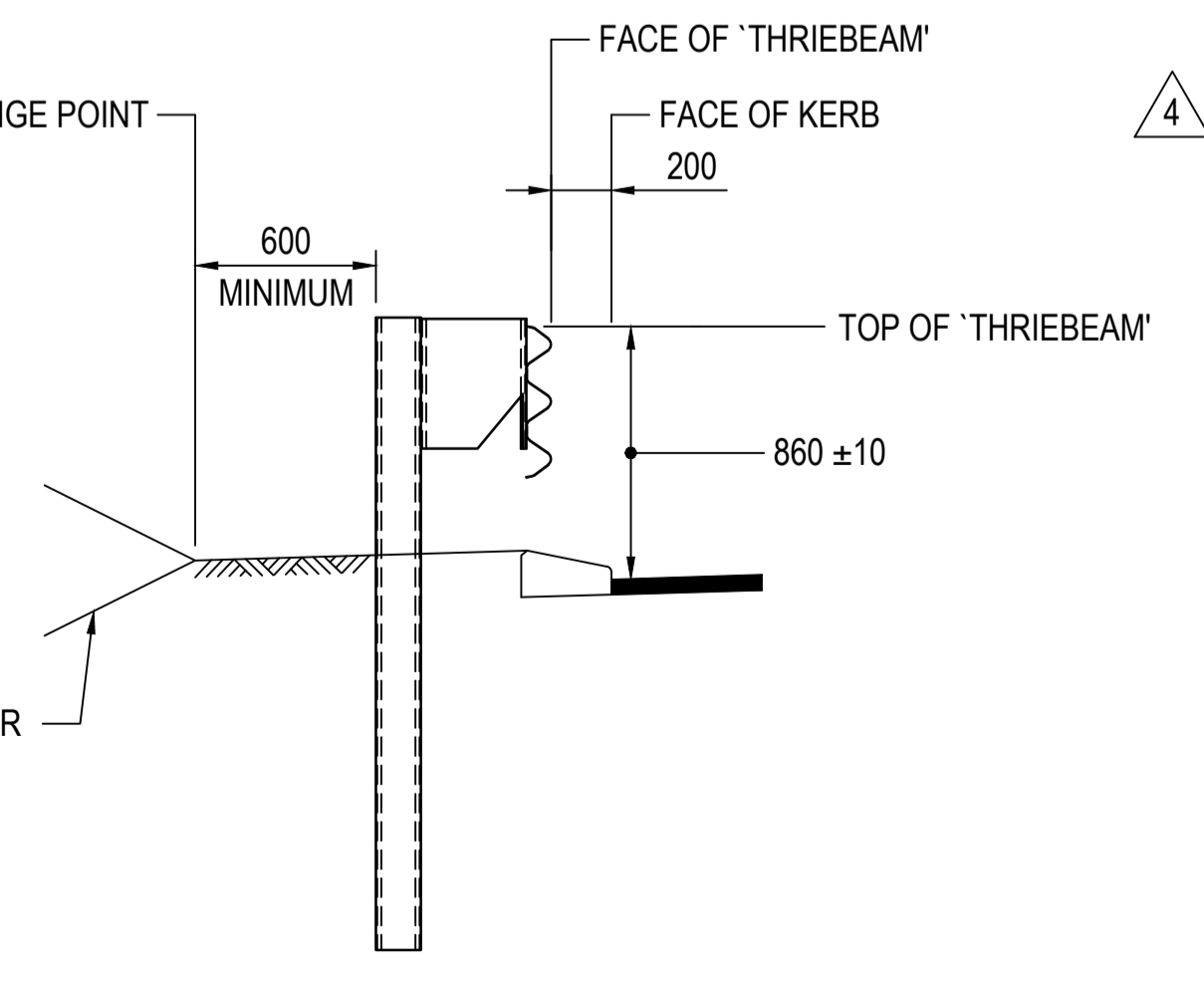
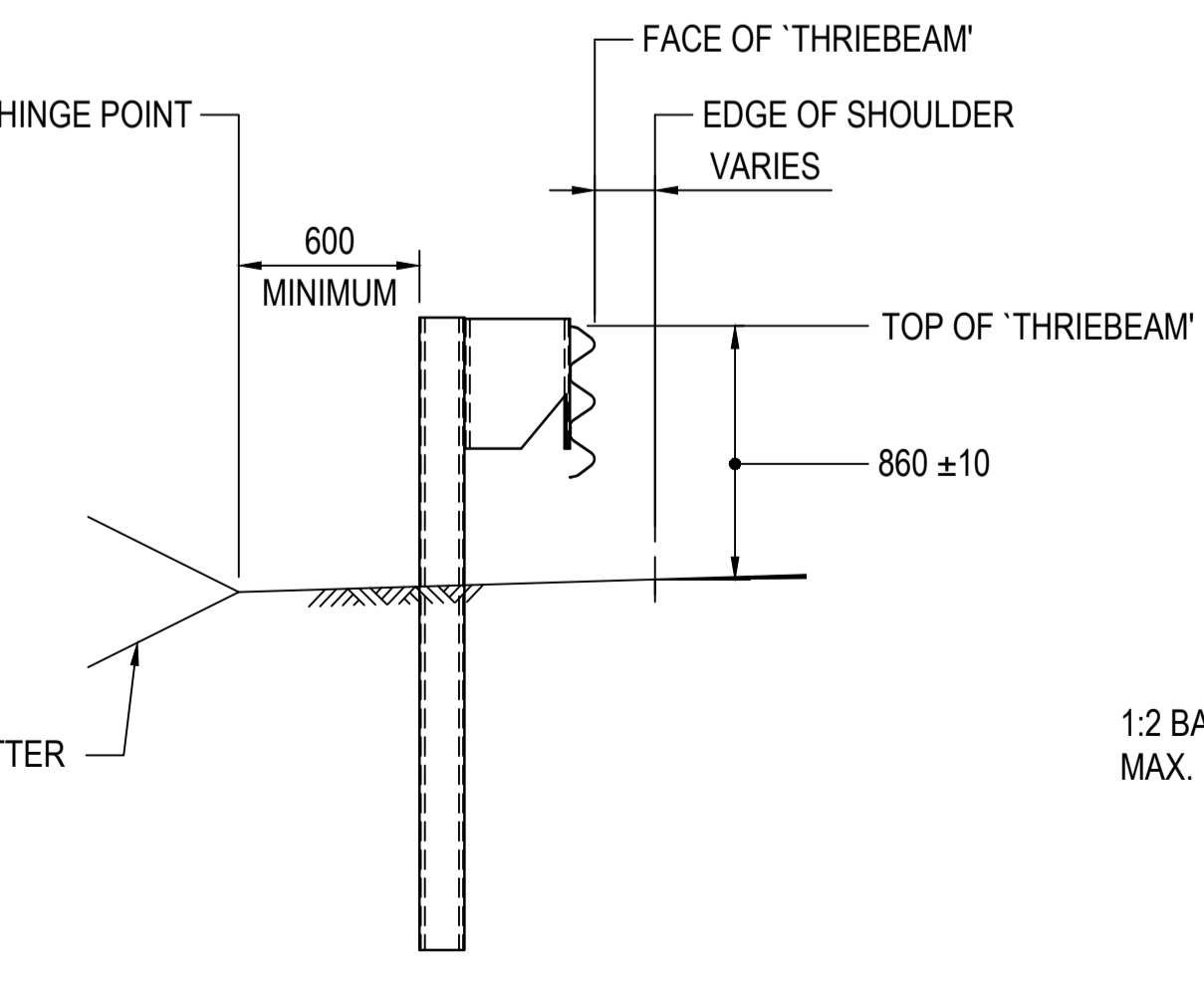
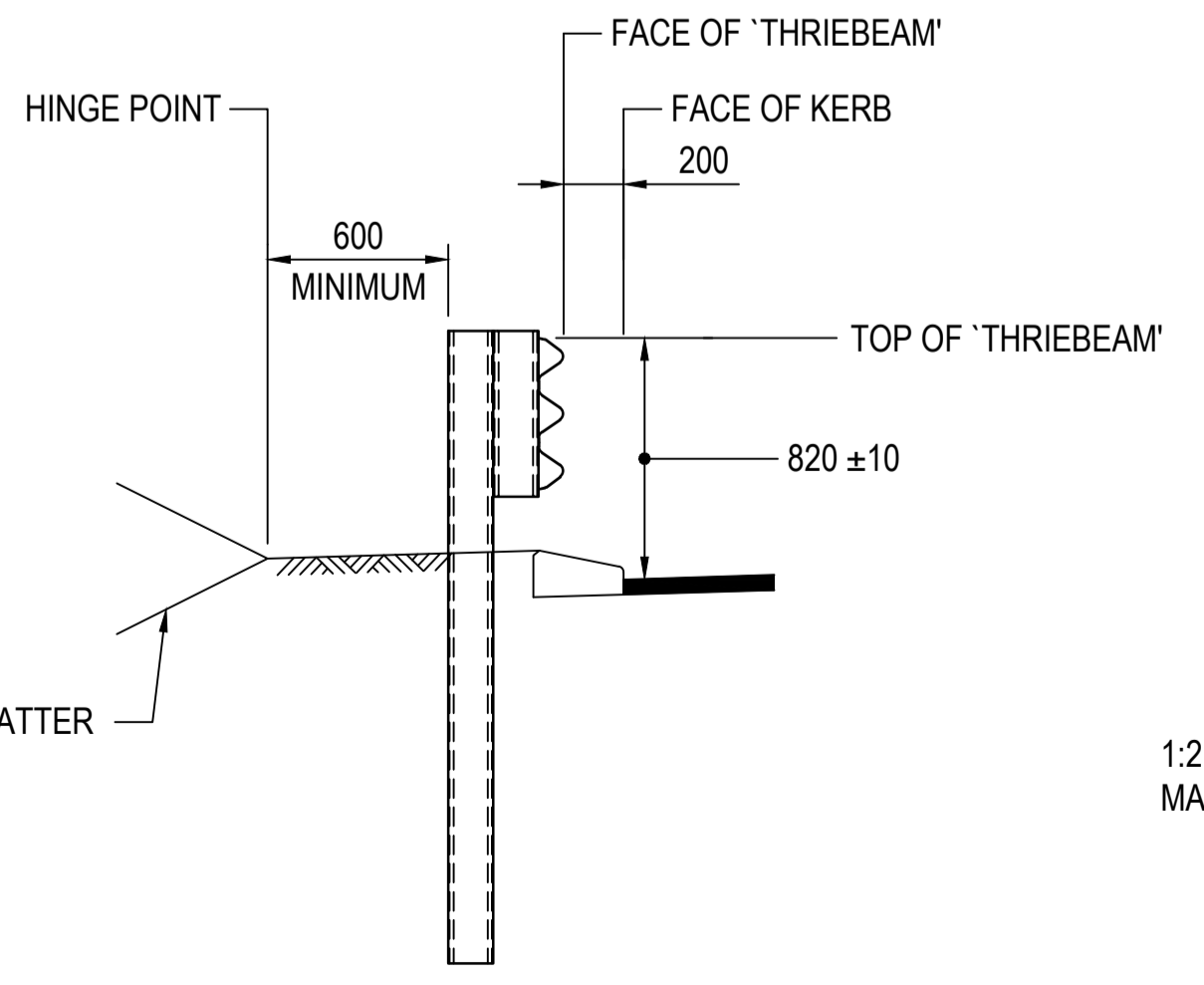
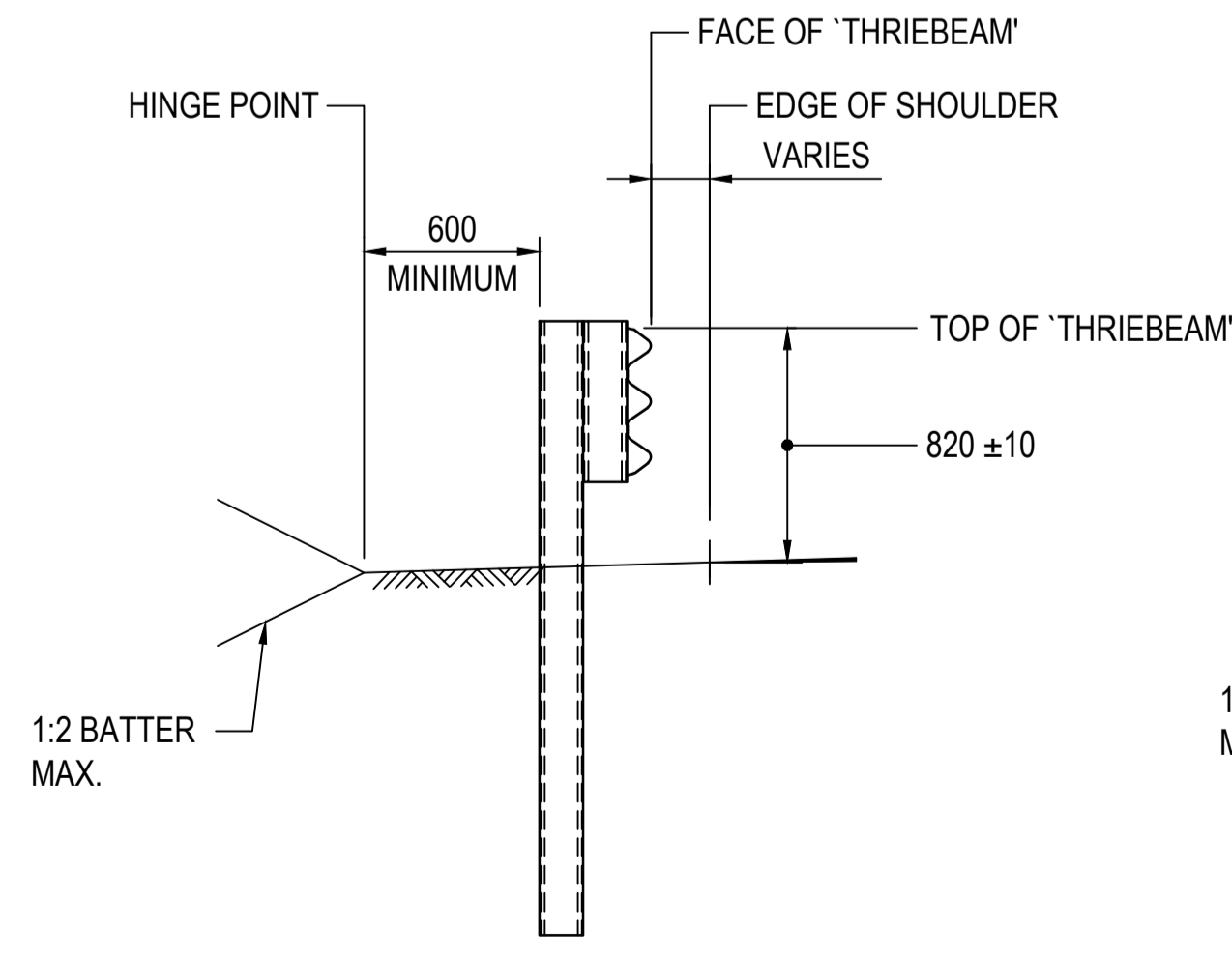
PLAN 1:25



ELEVATION A - 'THRIEBEAM' 1:25

ELEVATION C - MODIFIED 'THRIEBEAM' 1:25

NOTE:
KERBING:
MOUNTABLE KERB, TYPE A 100mm, PREFERRED TYPE.
SEMI MOUNTABLE KERB PERMITTED WHERE TYPICAL SPEEDS < 70 km/h
BARRIER KERB SHALL NOT BE USED ADJACENT TO BARRIER.
FOR KERB DETAILS REFER MRWA STANDARD DRAWING 9331-0376.



SECTION B - UNKERBED ROAD 1:25

SECTION B - KERBED ROAD 1:25

SECTION D - UNKERBED ROAD 1:25

SECTION D - KERBED ROAD 1:25

AMENDMENTS		
No.	DESCRIPTION	APPROVED & DATE
1.	HEIGHT OF THRIEBEAM RAISED, TOLERANCE AMENDED AND REFERENCE POINT AMENDED.	R. GROVE 14/04/09
2.	KERBING NOTE AMENDED.	B. SNOOK 10/08/09
3.	NOTE 3 RE: MODIFIED 'THRIEBEAM' BARRIER. ADDED. FILE NUMBER UPDATED.	B. SNOOK 08/07/22
4.	TITLE BLOCK, FONT AND REFERENCES UPDATED. REMOVED NOTE ABOUT END TREATMENTS.	C. Mariano 7/11/23

- NOTES**
- 'THRIE BEAM' TYPE 'TT5' MAY BE SUBSTITUTED BY EITHER TYPES 'TT3' OR 'TT4'. STIFFENER PLATES ARE NOT REQUIRED FOR TYPES 'TT3' OR 'TT4'. POST CENTRES FOR TYPE 'TT3' NEED TO BE ADJUSTED TO 1000. FOR BEAM DETAILS REFER TO DRAWING 200331-0019.
 - ALL DIMENSIONS IN MILLIMETERS UNLESS NOTED OTHERWISE.
 - MODIFIED 'THRIEBEAM' BARRIER SHALL NOT BE USED FOR NEW BARRIER INSTALLATIONS WITHOUT PRIOR APPROVAL OF THE MANAGER, ROAD & TRAFFIC ENGINEERING.

THIS DRAWING SHALL BE READ IN CONJUNCTION WITH:

DRAWING	TITLE
200331-0016	BOLT, NUT & WASHER FABRICATION DETAILS
200331-0018	'THRIEBEAM' & MODIFIED 'THRIEBEAM' ASSEMBLY DETAILS
200331-0019	'THRIEBEAM' - FABRICATION DETAILS
200331-0020	'THRIEBEAM' - STEEL POST & BLOCKOUT FABRICATION DETAILS

NOTE:
DRAWING SHALL BE READ IN CONJUNCTION WITH TECHNICAL SPECIFICATION 603 SAFETY & TRAFFIC BARRIER SYSTEMS

<p>PLANNING AND TECHNICAL SERVICES DIRECTORATE ROAD AND TRAFFIC ENGINEERING BRANCH WATERLOO CRESCENT EAST PERTH 6004 Telephone 138 138</p>	
DRAWN	G. W. HUNTER JUNE 2003
DESIGNED	G. W. HUNTER JUNE 2003
VERIFIED	J. KARPINSKI 07/10/2003
APPROVED	R. GROVE 09/10/2003
FILE NO.	13/4330

STANDARD DRAWING
SAFETY BARRIER
'THRIEBEAM' AND MODIFIED 'THRIEBEAM'
FABRICATION DETAILS

MRWA DRAWING NUMBER
200331-0017-4

1:25 SCALES A 1