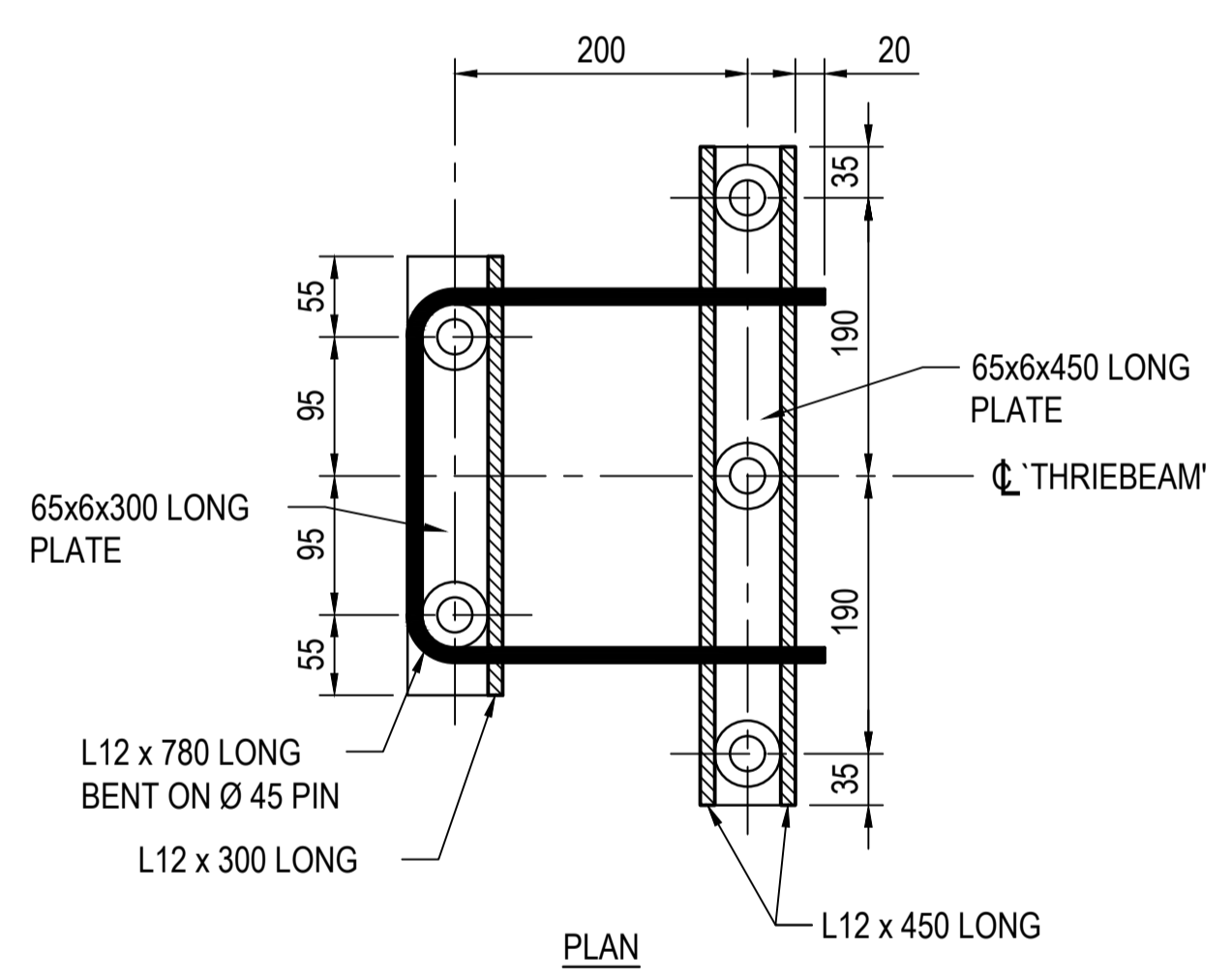
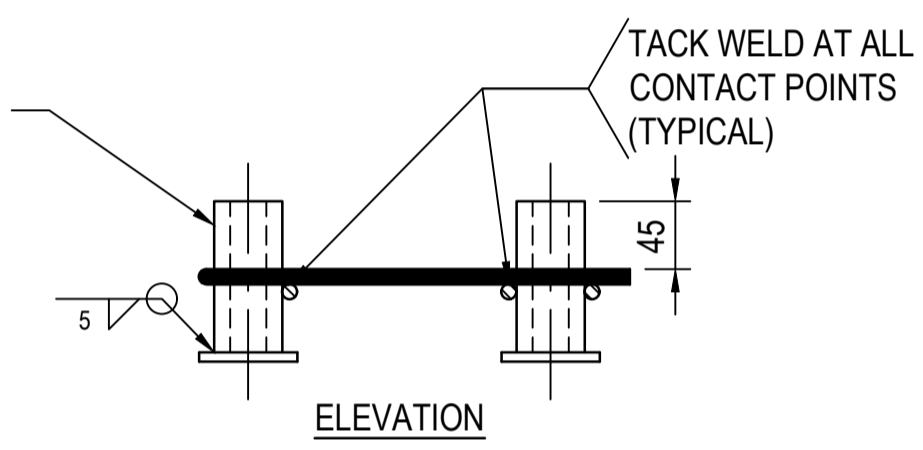
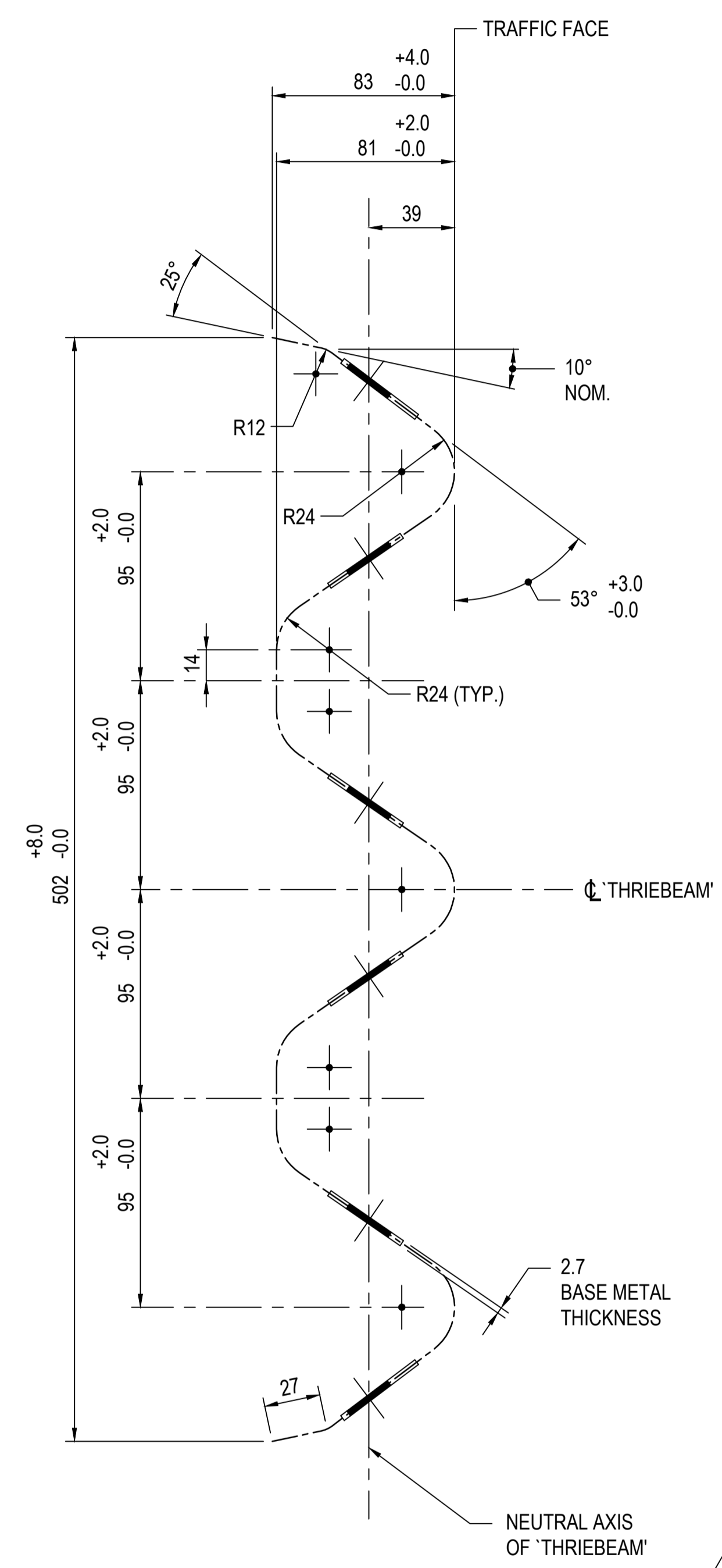
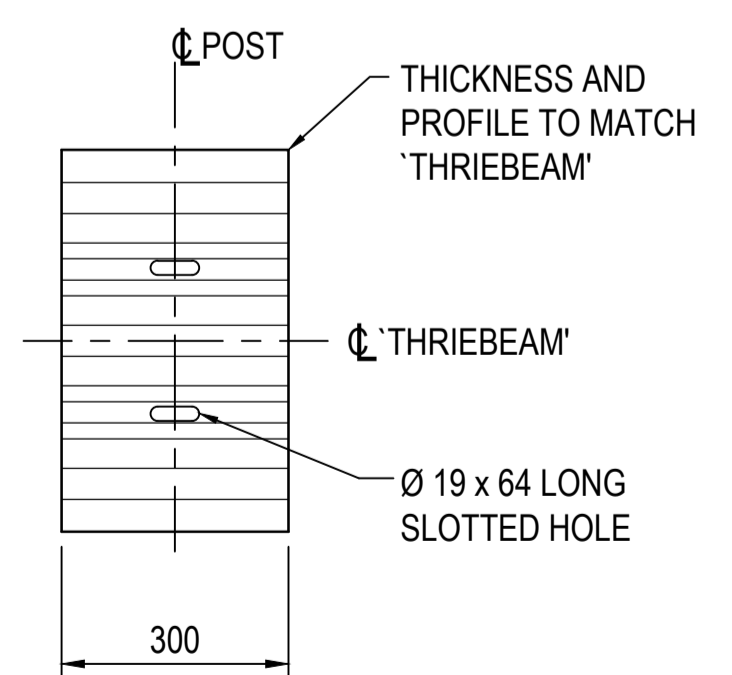


Ø 45 x 100 LONG FERRULES  
STEEL BAR GRADE 250 IN  
ACCORDANCE WITH  
AS/NZS 3679.1 WITH  
Ø 24 NOM. HOLE  
TAPPED TO SUIT  
M20 HIGH STRENGTH  
GALVANISED BOLT  
(TYPICAL)



**'THRIEBEAM' CAST-IN ANCHOR**  
1:5



**AMENDMENTS**

No.	DESCRIPTION	APPROVED & DATE
1.	NOTE 2 ADDED	B. SNOOK 17/11/10
2.	TT7 PANEL REMOVED	B. SNOOK 08/04/20
3.	TITLE BLOCK, FONT AND REFERENCES UPDATED.	C. Mariano 7/11/23

**NOTES**

1. ALL DIMENSIONS IN MILLIMETERS UNLESS NOTED OTHERWISE.
2. SLOTTED HOLES MAY BE ORIENTATED HORIZONTALLY OR VERTICALLY.

**NOTE:**  
DRAWING SHALL BE READ IN CONJUNCTION WITH  
TECHNICAL SPECIFICATION  
603 SAFETY & TRAFFIC BARRIER SYSTEMS

PLANNING AND TECHNICAL SERVICES DIRECTORATE  
ROAD AND TRAFFIC ENGINEERING BRANCH  
WATERLOO CRESCENT EAST PERTH 6004  
Telephone 138 138

DRAWN	G. W. HUNTER JUNE 2003
DESIGNED	G. W. HUNTER JUNE 2003
VERIFIED	J. KARPINSKI 06/10/2003
APPROVED	R. GROVE 07/10/2003
FILE NO.	13/4330

**STANDARD DRAWING**  
SAFETY BARRIER  
'THRIEBEAM'  
FABRICATION DETAILS

MRWA DRAWING NUMBER  
**200331-0019-3**

SCALE: 1:20 (SEE NOTE 2) 1:10 (SEE NOTE 2) 1:5 (SEE NOTE 2) 1:2 (SEE NOTE 2) 1:1 (SEE NOTE 2) 1:50 (SEE NOTE 2) 1:100 (SEE NOTE 2) 1:200 (SEE NOTE 2) 1:500 (SEE NOTE 2) 1:1000 (SEE NOTE 2)

SCALES 1:20 1:10 1:5 1:2 1:1 1:50 1:100 1:200 1:500 1:1000

A 1