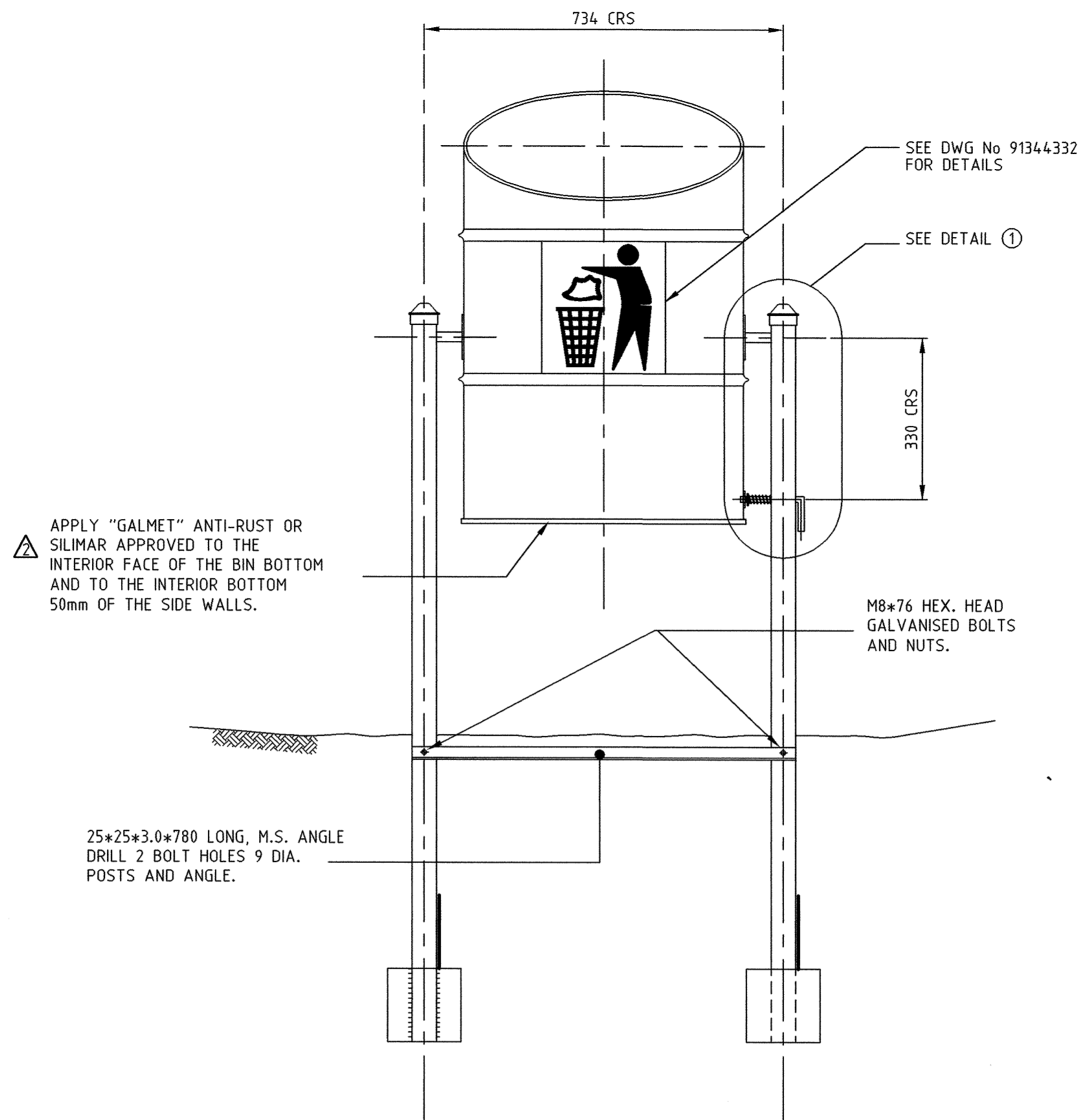
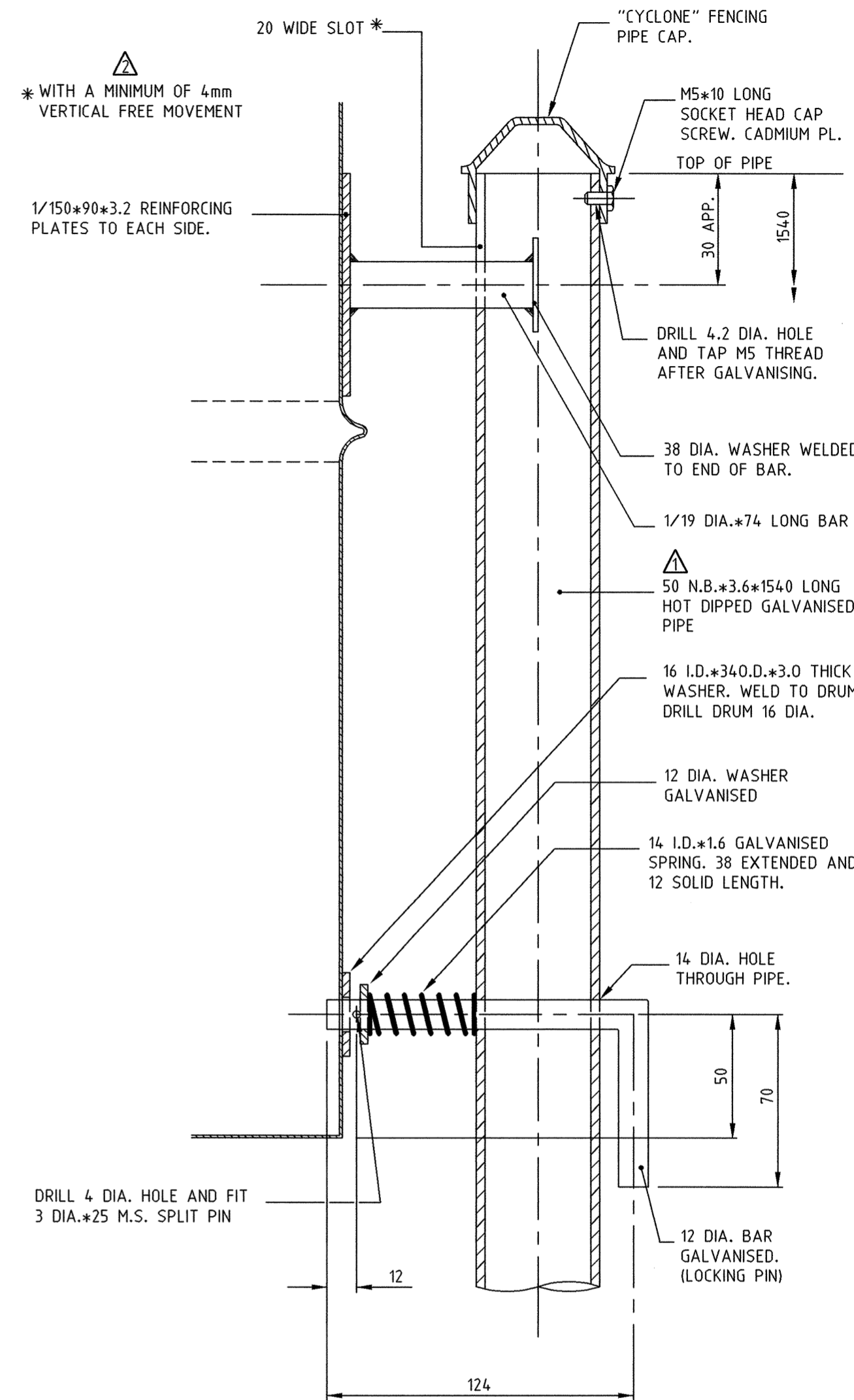


SIDE ELEVATION
SCALE 1:100



ELEVATION
SCALE 1:100



DETAIL SECTION
SCALE 1:20

NOTES:

1. CONSTRUCTION : FILLET WELD THROUGHOUT AS PER AS 1554, EXCEPT WHERE OTHERWISE STATED.
2. ALL ITEMS OTHER THAN DRUM AND CADMIUM PLATED SCREWS TO BE HOT DIPPED GALVANISED TO AS 1650.
3. ALL HOLES AND WELDING TO BE COMPLETED BEFORE GALVANISING.
4. WELDS, SHARP EDGES AND AREAS TREATED FOR RUST SHALL BE PAINTED WITH ONE COAT OF GREY CHROMATIC PAINT AS PER AS 3730.13.
5. THE BIN EXTERIOR AND STAND SHALL BE PAINTED WITH ONE COAT OF GREY CHROMATIC PAINT OF THICKNESS EXCEEDING 0.05mm AS PER AS 3730.13.
6. THE BIN AND STAND SHALL BE PAINTED WITH ONE COAT OF DRY FILM THICKNESS EXCEEDING 0.04mm OF DULUX FULL 393 LINE SPRAYING ENAMEL AD ADDITIVE OR SIMILAR MIXTURE AS PER AS 4025.1.
7. COLOURS SHALL BE IN ACCORDANCE WITH AS 2700; BIN EXTERIOR (GOLD YELLOW No. 356); BIN INTERIOR AND STAND (BRILLIANT GREEN No. 221).

DRUM BASE : 1.4 THICK, GALVABOND FINISH
 BASE HOLE PATTERN : 61 - 25 DIA. HOLES APPROX. 35 SPACINGS WHICH INCLUDES 1 CENTRAL HOLE AND FOUR RINGS OF CONCENTRIC HOLES AS FOLLOWS ;
 6 EQUI-SPACED HOLES ON 120 P.C.D.
 12 EQUI-SPACED HOLES ON 240 P.C.D.
 18 EQUI-SPACED HOLES ON 360 P.C.D.
 24 EQUI-SPACED HOLES ON 480 P.C.D.
 ALL HOLES TO HAVE A DEPRESSION OF APPROX. 30 DIA. TO IMPROVE DRAINAGE AND STIFFEN BASE.

THIS DRAWING IS AN AMENDMENT OF THE APPROVED DRAWING

THIS DRG SUPERSEDES 7734-163

AMENDMENTS	PIPE CHANGED FROM M.S. MEDIUM BLACK PIPE TO N.B. HOT DIPPED GALVANISED PIPE.
RON BROWN	9/5/96
MISC. TEXT	DIMENSION AND NOTES 4, 5, 6 AND 7 ADDED.

ORIGINAL DRAWING SIZE	A2			
IN THE ABSENCE OF THE APPROVED SIGNATURE THIS DRAWING SHALL BE TREATED AS PRELIMINARY				
DATUM	DESIGNED	DATE	SIGNATURES	DATE
GRID	DRAWN	OCT.'91	AUTHORIZED	J. VOSNACOS 4/3/93
FILE NO	CHECKED	OCT.'91	RECOMMENDED	J. VOSNACOS 4/3/93
MICROFILM	EXAMINED		APPROVED	G. NORWELL 4/3/93

LITTER BIN AND STAND
 ARRANGEMENTS AND DETAILS
 LOCAL AUTHORITY ()



GENERAL DRAWING OFFICE
 WATERLOO CRES EAST PERTH 6004
 Tel. (09) 323 4111 FAX (09) 323 4430
 DRAWING TYPE: 1609 5011
 DRAWING NUMBER: 91344331-2

SCALE 1:100 0 200mm 400 600 800 1000 1200 1400 1600 1800 2000 2200 2400 2600 2800 3000