

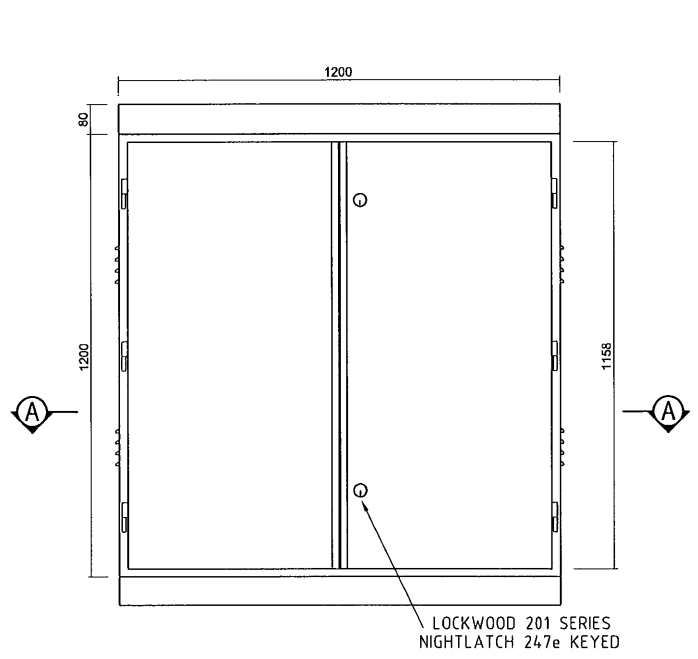
NOTE: ALL DRAWINGS ARE CONSIDERED UNCONTROLLED UNLESS STAMPED 'CONTROLLED COPY' IN RED

**AMENDMENTS**

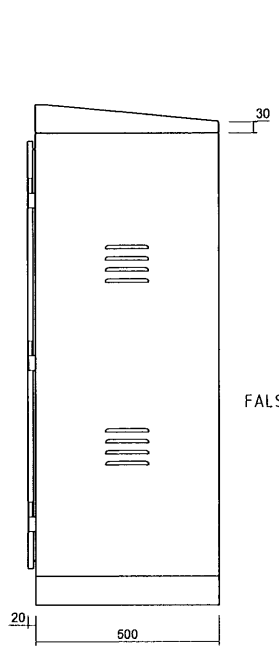
No.	DATE	DESCRIPTION	APPROVED

**NOTES**

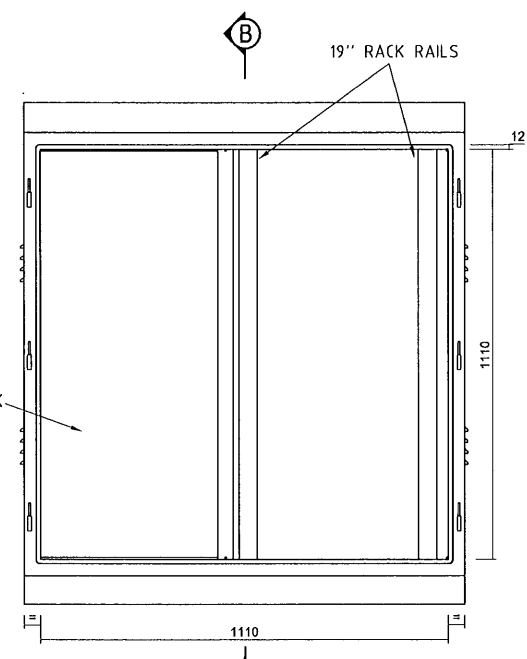
- 110° DOOR STAY TO BE FITTED TO DOOR.
- CONSTRUCTION TO BE TOTALLY WEATHER PROOF (IP65).



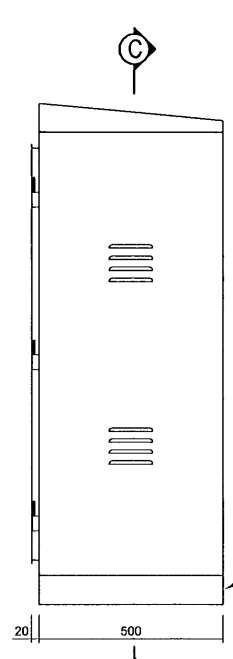
FRONT ELEVATION



SIDE ELEVATION

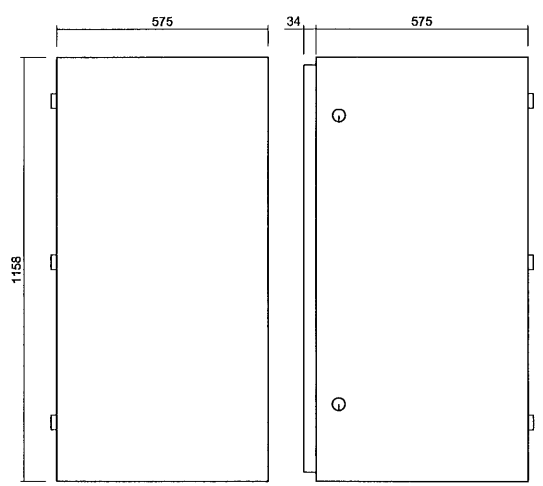


FRONT ELEVATION (WITHOUT DOORS)



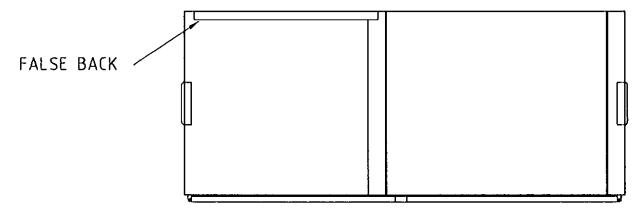
SIDE ELEVATION (WITHOUT DOORS)

CONSTRUCTION	MATERIAL	QTY
CUBICLES	2.5mm H34 MARINE GRADE ALUMINIUM	
DOORS-	2.5mm H34 MARINE GRADE ALUMINIUM	2
LOCKS	LOCKWOOD 201 SERIES NIGHT LATCH	1
HINGES	CHROME PLATED LARGE BLOCK TYPE	6
SEAL TYPE	RNR-1 25x6mm RUBBER GLUED WITH CONTACT GLUE TO ALL DOORS	

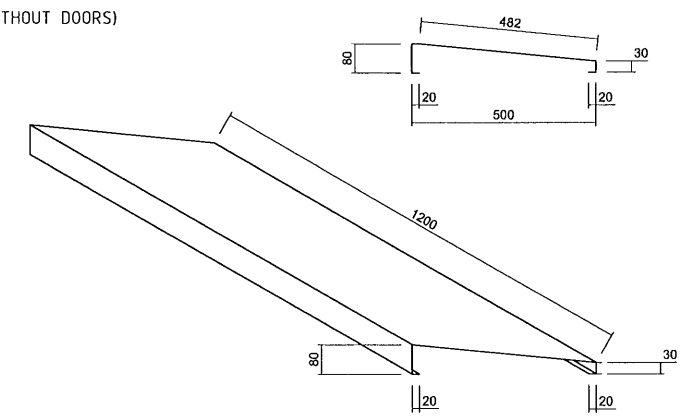


OUTSIDE

INSIDE

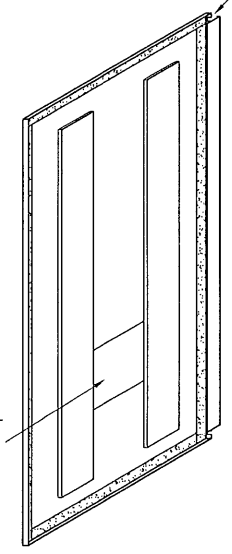


SECTION A-A

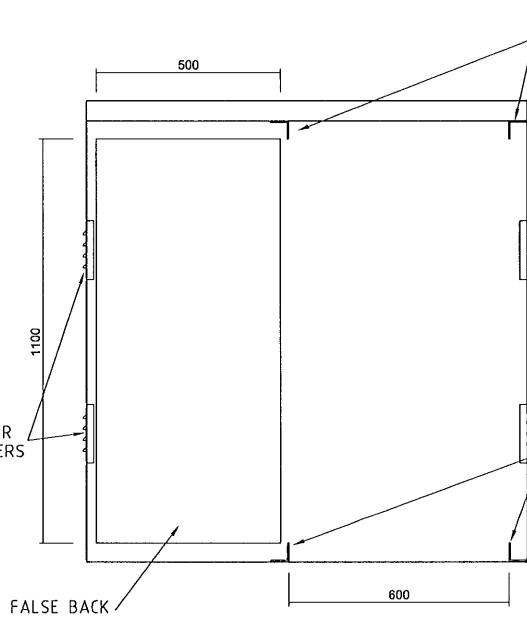


DETAIL OF SUNSHADE

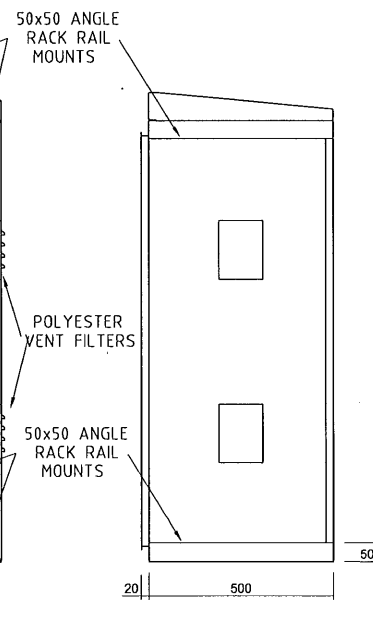
NOTCHED TOP AND BOTTOM TO ALLOW FOR FLANGE OF OPENING



DETAIL OF DOORS



SECTION C-C



SECTION B-B

CONTRACTOR / CONSULTANT JOINT VENTURE

**Downer Engineering** Downer Electrical Pty Ltd  
ACN 007 102 515  
 ABN 76 007 102 516

33 Kewdale Road WELSHPOOL WA 6155 Telephone: (08) 9351 3300  
 PO Box 45 Welshpool Delivery Centre WA 6986 Fax: (08) 9351 9211

**GHD** 'GHD House', 239 Adelaide Terrace Perth WA 6004  
 PO Box Y3106 Perth WA 6832 Australia  
 T (08) 6222 8222 F (08) 6222 8555  
 E permail@ghd.com.au www.ghd.com.au

CLIENTS PEOPLE PERFORMANCE

JOB NO 61-1068502 DRAWING PATH N:\61\1068502\CAD\0648-3016  
 DESIGNED/DRAWN R. GORDON DATE 19.04.2007  
 VERIFIED  
 APPROVED

Government of Western Australia  
**MAIN ROADS**  
 Western Australia

METROPOLITAN REGION  
 WATERLOO CRESCENT EAST PERTH 6004  
 Telephone (08) 9323 4111 Fax (08) 9323 4684

AUTHORISED [Signature] DATE 6/11/08  
 APPROVED

CCTV/VDS DOUBLE CABINET  
 1200 x 1200 CUBICLE  
 WITH RACK RAIL MOUNTS

LOCAL AUTHORITY  
 DRAWING TYPE 56:00 DRAWING NUMBER 0648-3016 AMEND.

SCALE 1:10 MICROFILM DATE A 1