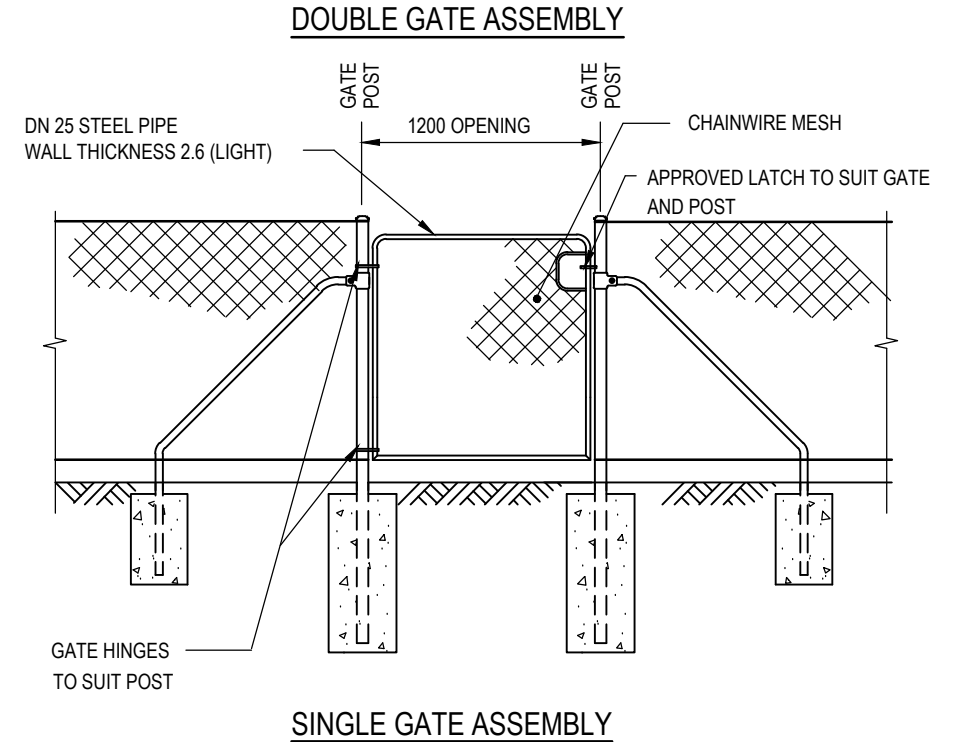
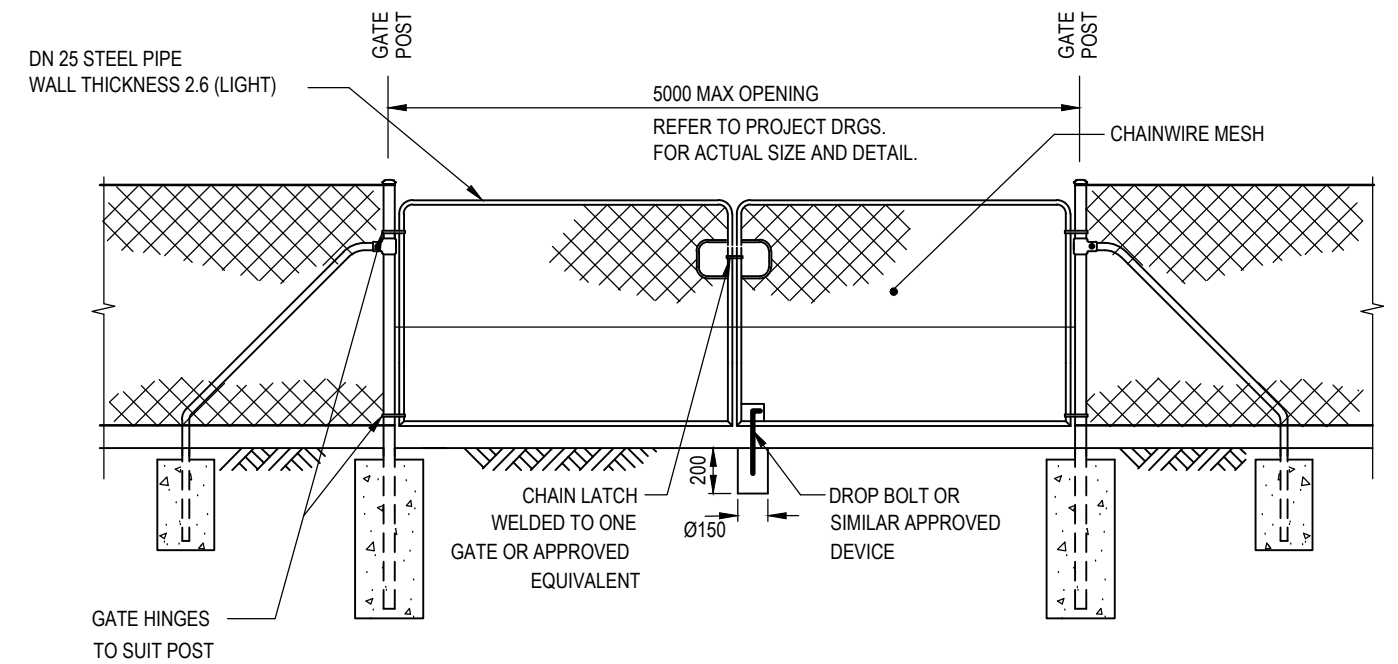


DRAWING REFERENCES	
STRAINER AND POST DETAILS	200331-0109



	COATING OPTION	
	PVC COATED	GALVANISED
CHAINWIRE MESH	1050x50xØ3.15 PVC COATED 3	1050x50xØ3.15 GALVANISED 3
STRAINER WIRE	SINGLE Ø4.0 HELICOIL PVC COATED	SINGLE Ø4.0 HELICOIL GALVANISED
Ø2.0 MESH TIE WIRE	PVC COATED	GALVANISED
STEEL PIPE PRESSED CAP CLIP TEE	POWDER COATED	GALVANISED

- NOTES**
- FENCING TO BE SUPPLIED AND INSTALLED IN ACCORDANCE WITH AUSTRALIAN STANDARD AS 1725 AND MAIN ROADS SPECIFICATION 903 FENCING.
 - DIMENSIONS SHOWN ON THIS DRAWING ARE TYPICAL.
 - WIRE DIAMETER AND PIPE WALL THICKNESSES ARE WITHOUT GALVANISING.
 - ALL WIRES TO BE JOINED BY FIGURE OF 8 KNOT OR WIRE JOINERS AS PER INDUSTRY STANDARD.
 - FOR DIMENSIONS AND OTHER DETAILS FOR GATES, STRAINERS AND POSTS REFER TO THE REFERENCE DRAWINGS.
 - TOP RAIL ARRANGEMENT SHALL NOT BE USED WHERE FENCE ALIGNMENT FALLS WITHIN THE CLEAR ZONE.
 - ALL UNITS ARE IN MILLIMETRES UNLESS OTHERWISE NOTED.

No.	DESCRIPTION	APPROVED & DATE
3	CHAINWIRE MESH SIZE CORRECTED.	A.Wong 29/11/23
2	TITLE BLOCK & FILE No. UPDATED	A.WONG 26/10/23
1	NOTE 6 ADDED FOR TOP RAIL IN CLEAR ZONES	T.FREEMAN 23.02.2010

AMENDMENTS

PLANNING AND TECHNICAL SERVICES DIRECTORATE
ROAD AND TRAFFIC ENGINEERING BRANCH
Waterloo Crescent
Telephone 138 138

mainroads
WESTERN AUSTRALIA

EAST PERTH 6004

DRAWN	RTE BRANCH
DESIGNED	M. VASEV 14.06.05
VERIFIED	J. KARPINSKI 15.06.05
APPROVED	W. CANNELL 15.06.05
FILE NO.	13/4330

STANDARD DRAWING
FENCING
1200 CHAINWIRE FENCE
GATE AND STRAINER ASSEMBLY DETAILS

MRWA DRAWING NUMBER
200331-0106-3

AMENDMENT

NOT TO SCALE
A3