

**END STRAINER ASSEMBLY**

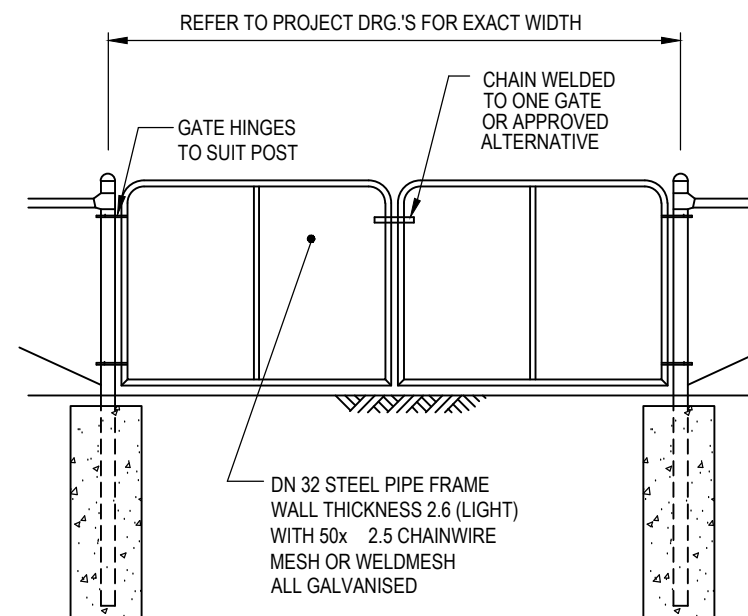
FOR ENDS AND GATES  
 ALTERNATIVE:  
 DIAGONAL STRUT STRAINER

**FENCE POSTS**

USE ON STRAIGHTS

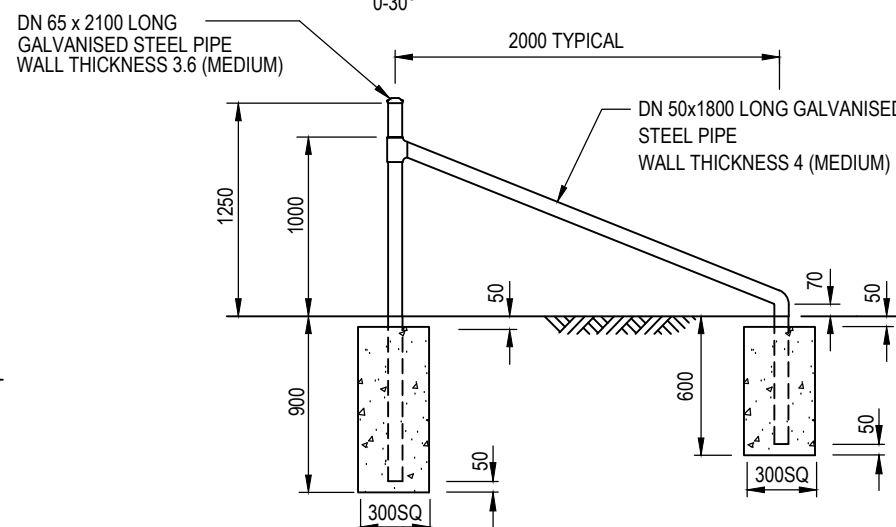
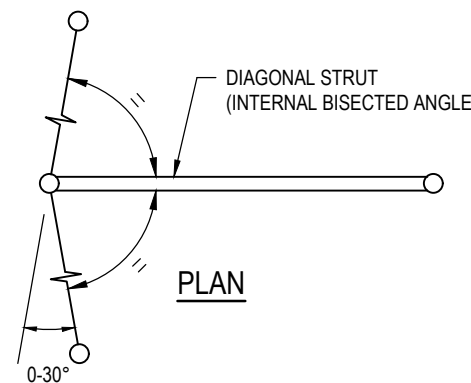
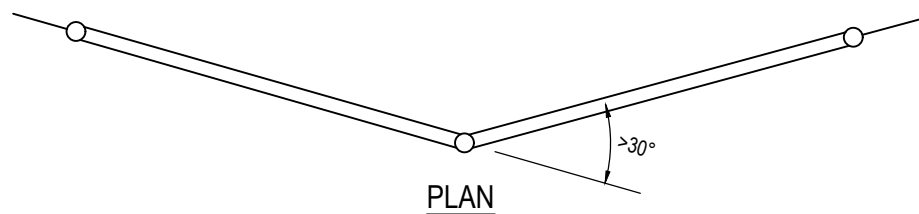
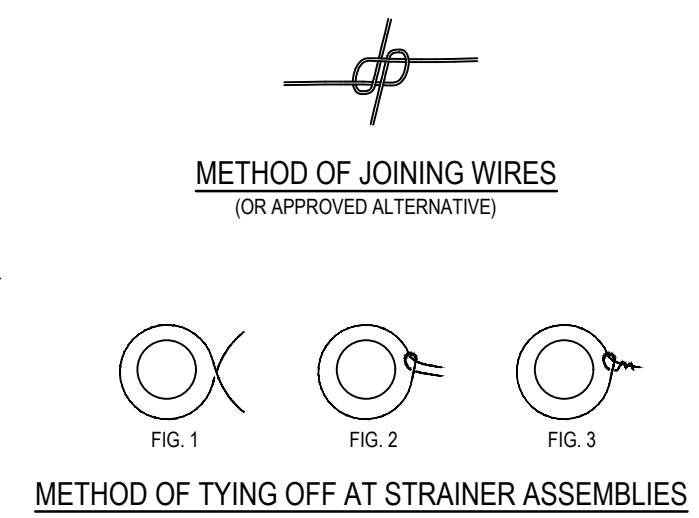
**CORNER STRAINER (POST)**

USE WHERE DEFLECTION ANGLE IN FENCELINE IS UP TO 30°  
 REFER TO NOTES



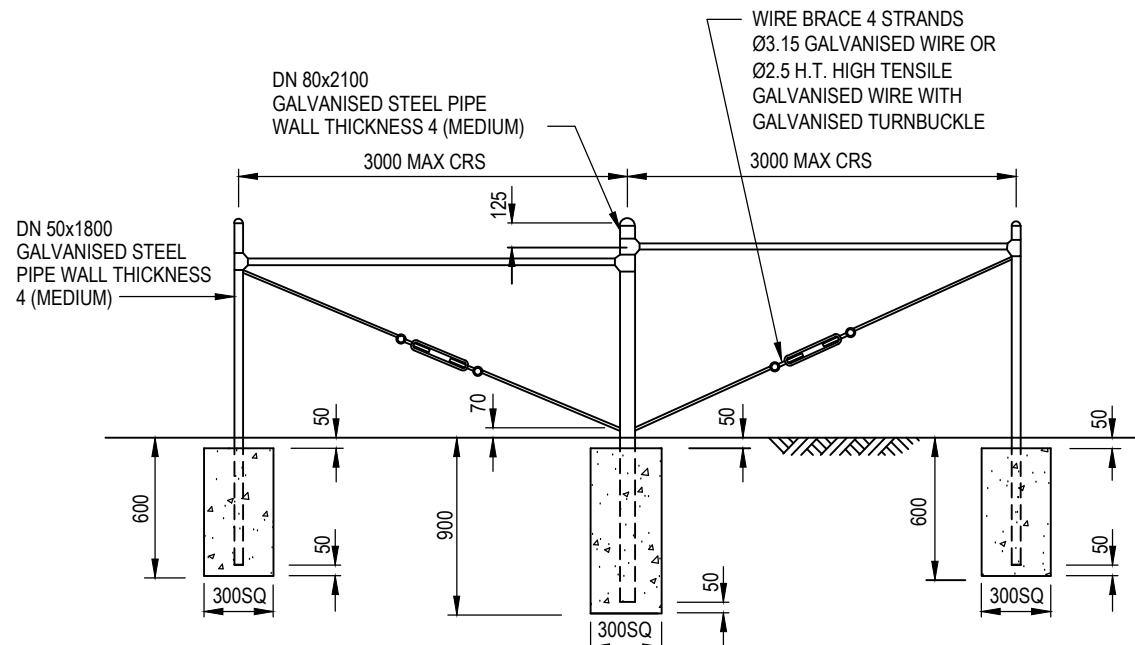
**GATE ASSEMBLY**

DOUBLE GATE SHOWN  
 SINGLE GATE SIMILAR



**DIAGONAL STRUT STRAINER**

ALTERNATIVE TO END STRAINER  
 OR CORNER STRAINER AT RIGHT ANGLES TO FORCE OF STRAIN



**CORNER STRAINER ASSEMBLY**

USE WHERE DEFLECTION ANGLE IN FENCELINE IS GREATER THAN 30°

**NOTES**

- FENCING TO BE SUPPLIED AND INSTALLED IN ACCORDANCE WITH AUSTRALIAN STANDARD AS 1725 AND MAIN ROADS SPECIFICATION 903 FENCING.
- DIMENSIONS SHOWN ON THIS DRAWING ARE TYPICAL.
- STEEL PIPE TO BE IN ACCORDANCE WITH AUSTRALIAN STANDARD AS 1074.
- POSTS TO BE VERTICAL WITH TOLERANCE 1:50 AND SHALL BE CAPPED.
- WIRE TO BE TENSIONED BETWEEN PAIRS OF ANCHORAGE POINTS. ANCHORAGE POINTS ARE TO BE LOCATED AT ALL CHANGES IN FENCE DIRECTION AND AT SPACING NO GREATER THAN 200m.
- POSTS TO BE BURIED OR DRIVEN TO DEPTHS AS SHOWN UNLESS OTHERWISE SPECIFIED.
- STRAINER POSTS TO BE USED IN LIEU OF FENCE POSTS WHERE SHOWN ON FENCING LAYOUT DRAWINGS AND WHERE INSTRUCTED BY THE SUPERINTENDENT.
- POSTS TO BE EQUALLY SPACED BETWEEN CHANGES IN FENCE DIRECTION WITH CENTRES NOT EXCEEDING 10m EXCEPT WITH END STRAINER ASSEMBLY.
- ALL END STRAINERS SHALL BE OFFSET SO THE FENCE WIRES FOLLOW A STRAIGHT LINE.
- STRAINER ASSEMBLY TO BE AS SHOWN OR PREFABRICATED APPROVED EQUIVALENT.
- GALVANISING TO BE IN ACCORDANCE WITH AUSTRALIAN STANDARDS AS 4680 AND AS 4792.
- ALL UNITS ARE IN MILLIMETRES UNLESS OTHERWISE NOTED.

**DRAWING REFERENCES**

AGRICULTURAL FENCING DETAILS	200331-0096
PREFABRICATED FENCEWIRE DETAILS	200331-0097
PLAIN FENCEWIRE DETAILS	200331-0098



1	TITLE BLOCK & FILE No. UPDATED	A.Wong 26/10/23
No.	DESCRIPTION	APPROVED & DATE
AMENDMENTS		

 PLANNING AND TECHNICAL SERVICES DIRECTORATE ROAD AND TRAFFIC ENGINEERING BRANCH Waterloo Crescent Telephone 138 138	DRAWN	RTE BRANCH
	DESIGNED	M. VASEV 14.06.05
	VERIFIED	J. KARPINSKI 14.06.05
	APPROVED	W. CANNELL 16.06.05
	FILE NO.	13/4330

STANDARD DRAWING FENCING	
STEEL PIPE STRAINER AND POST DETAILS	
MRWA DRAWING NUMBER	AMENDMENT
200331-0102-1	

NOT TO SCALE  
SCALE A3