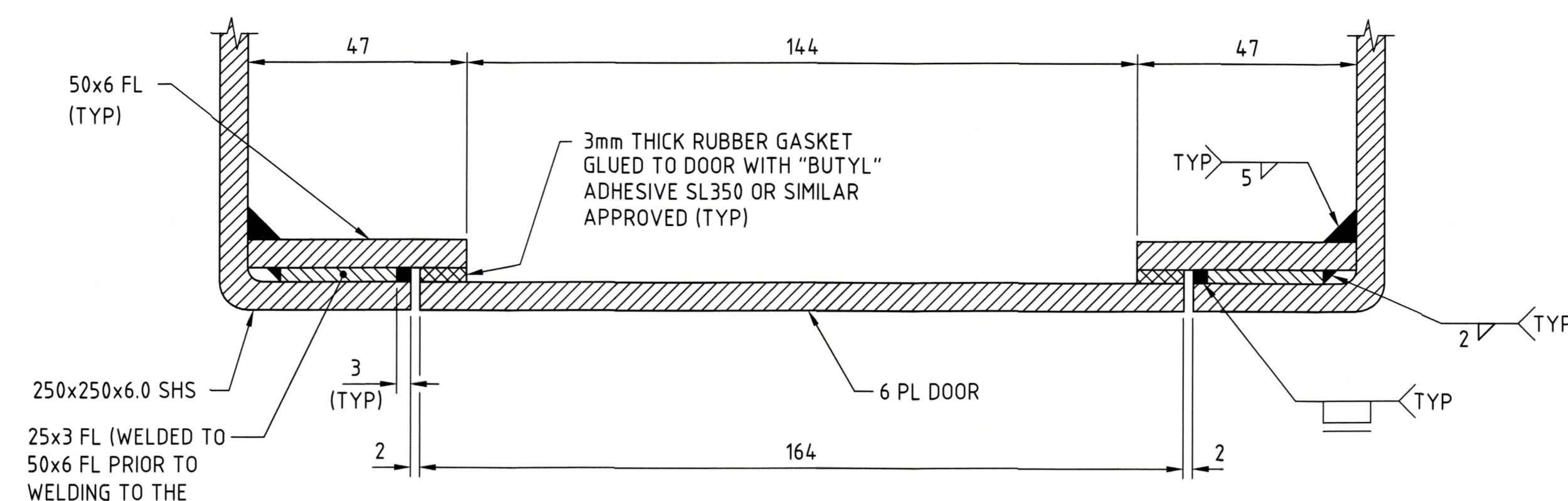
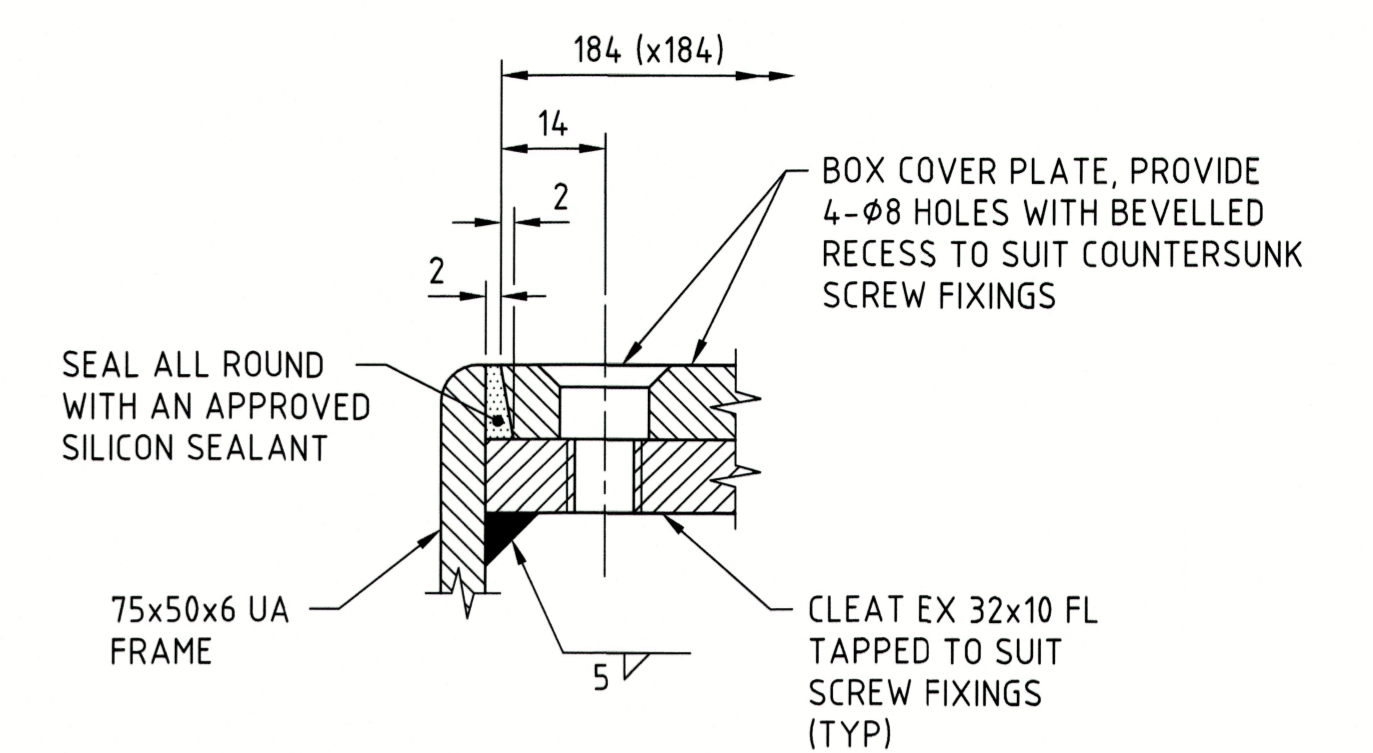


VIEW D
1:5

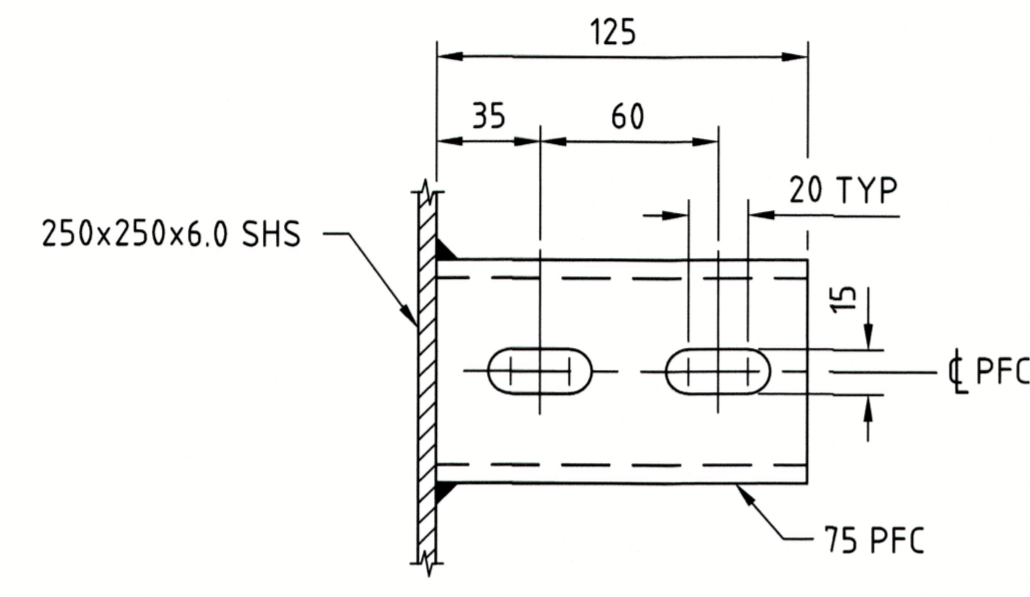


SECTION F
1:1

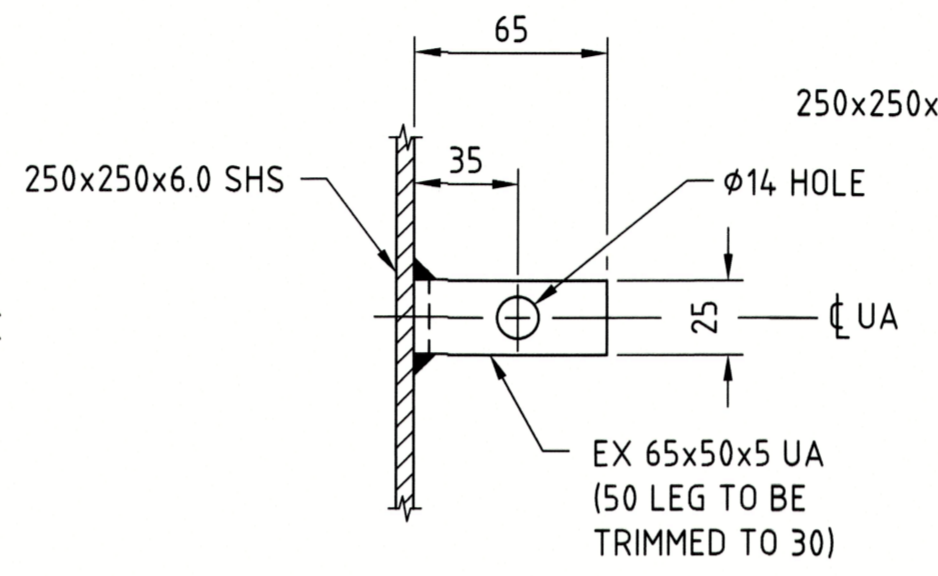


DETAIL 1
1:1

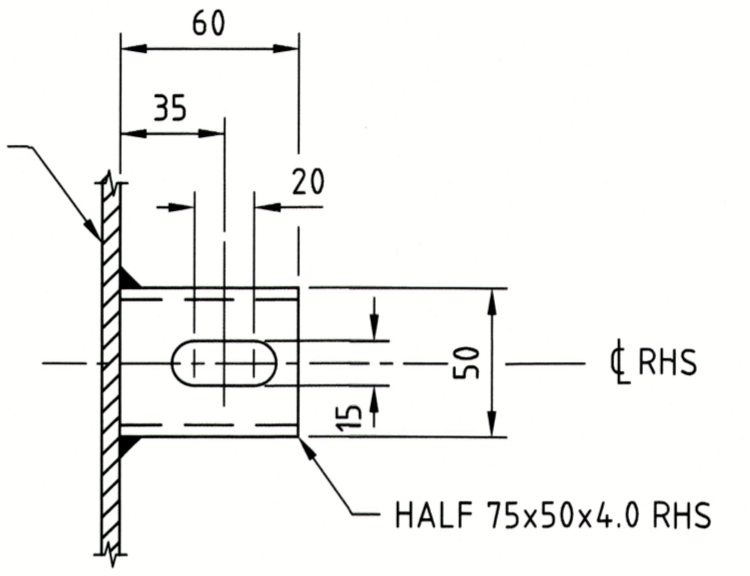
This drawing is provided for the purpose of maintaining existing balustrade only and is NOT to be used for the installation of NEW balustrade



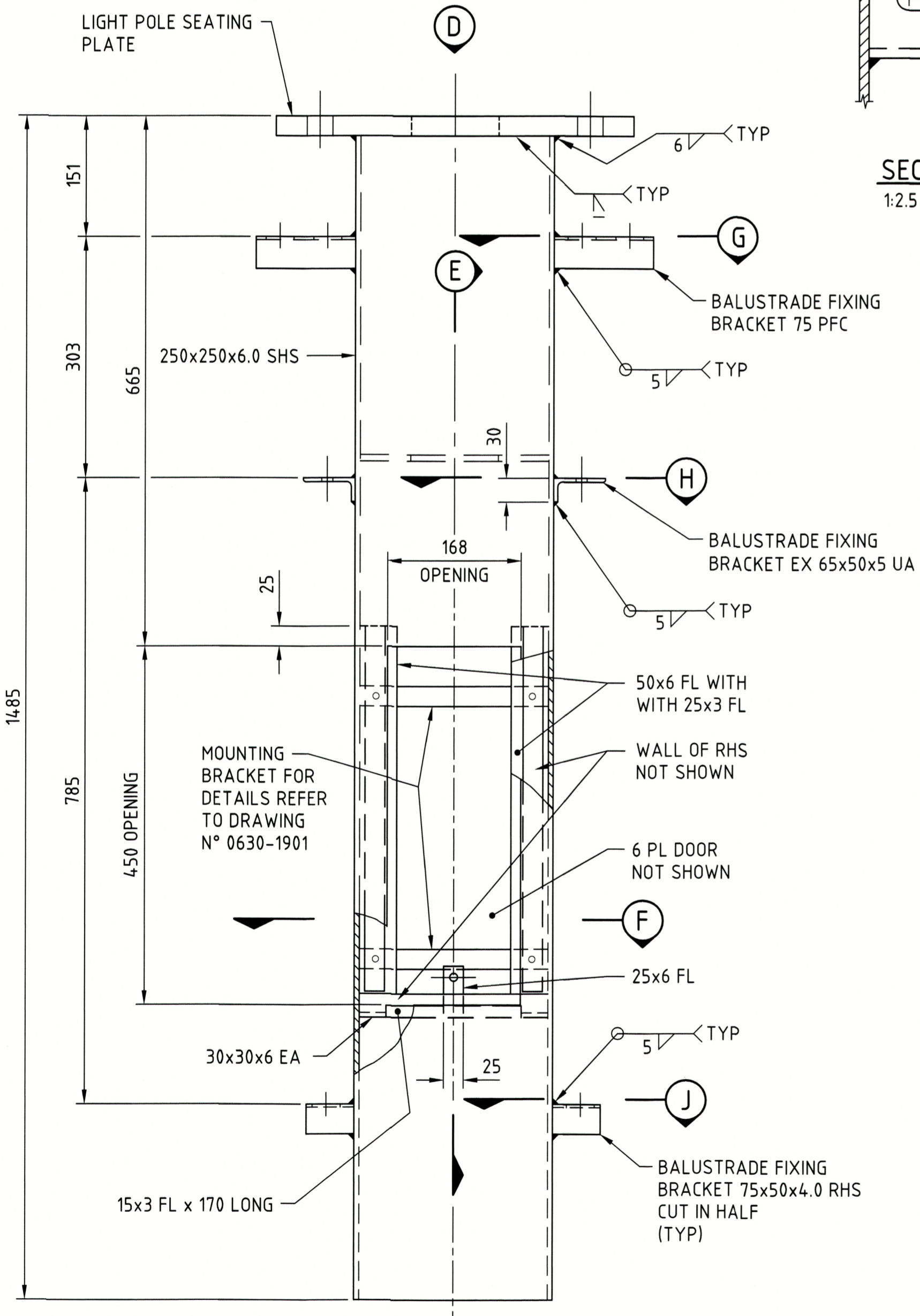
SECTION G (TYPICAL)
1:2.5



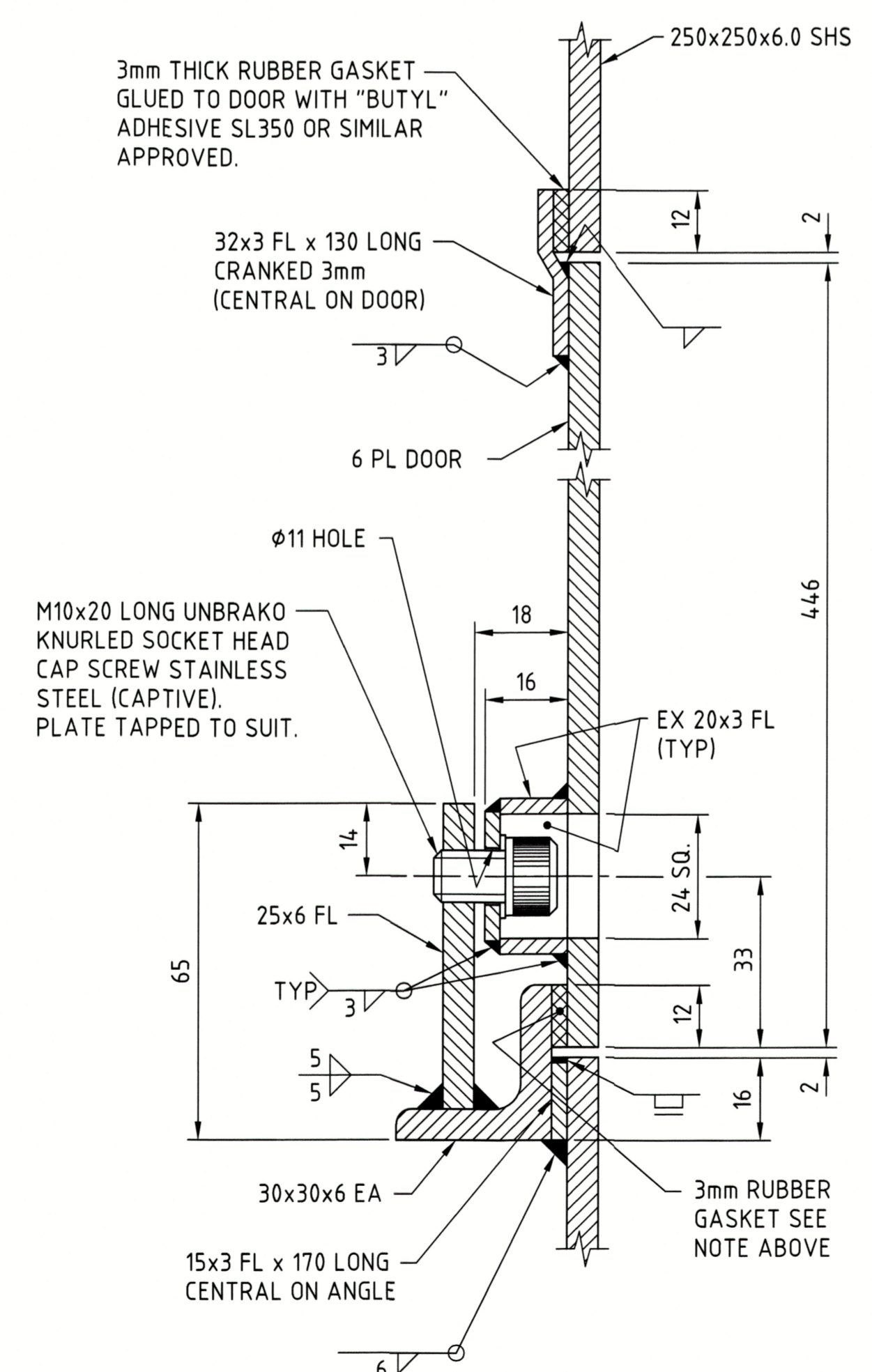
SECTION H (TYPICAL)
1:2.5



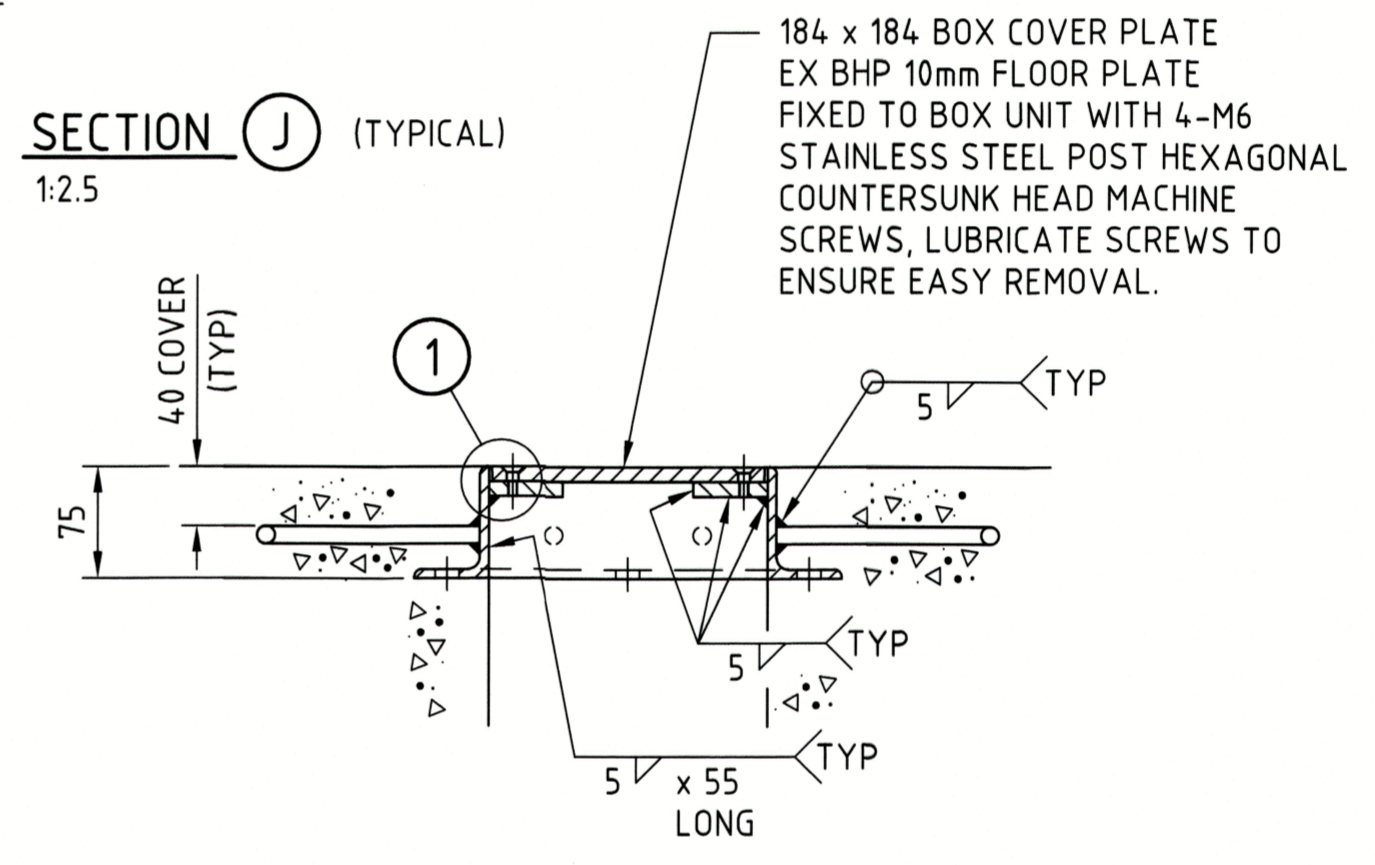
SECTION J (TYPICAL)
1:2.5



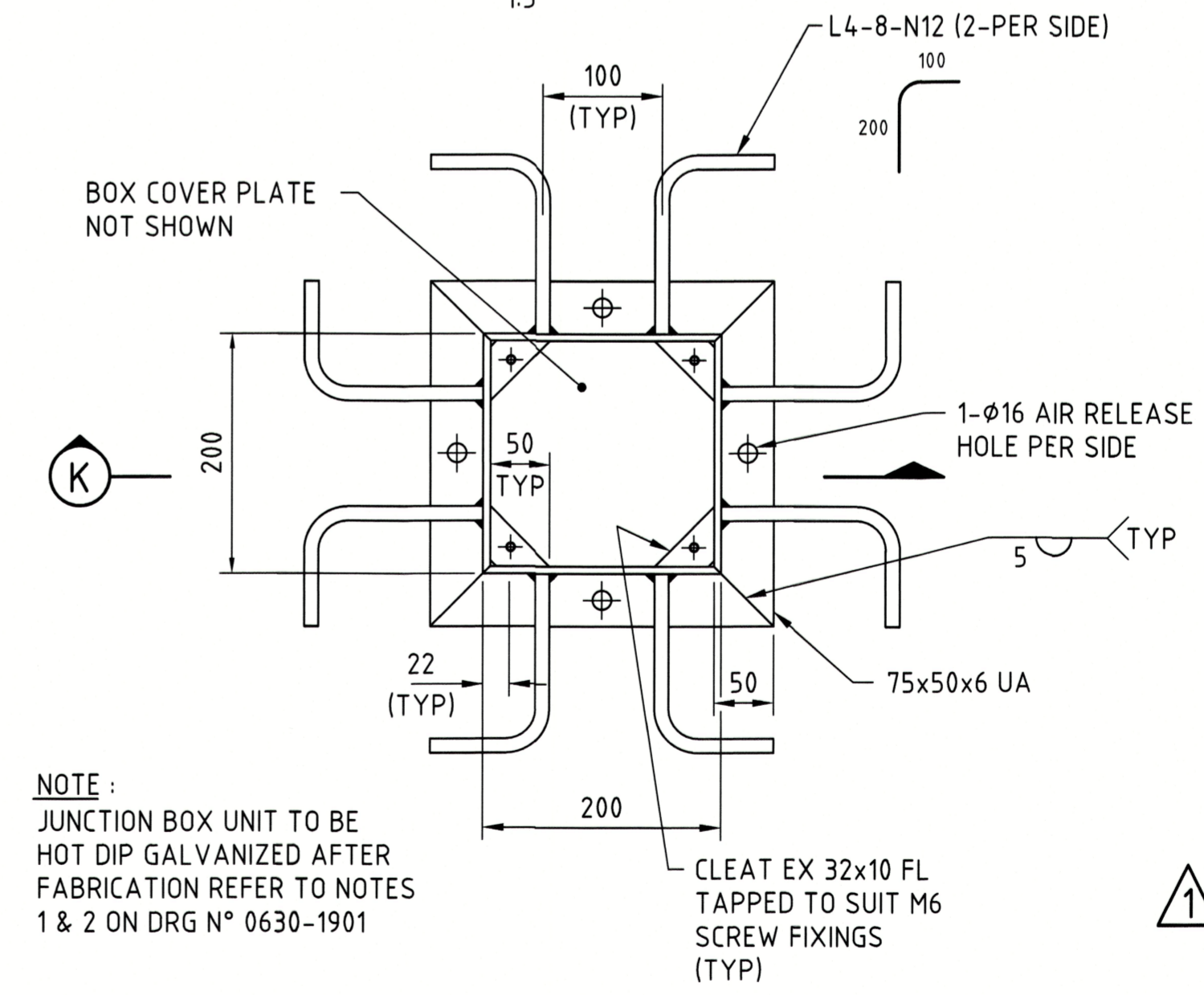
VIEW C 0630-1901
1:5



SECTION E
1:1



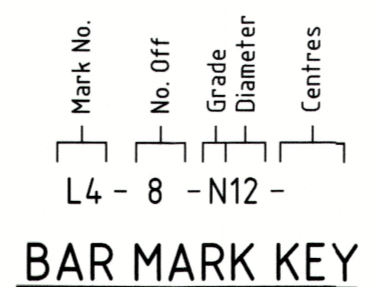
SECTION K
1:5



JUNCTION BOX DETAIL
1:5

NOTE: JUNCTION BOX UNIT TO BE HOT DIP GALVANIZED AFTER FABRICATION REFER TO NOTES 1 & 2 ON DRG N° 0630-1901

NOTES:
1. FOR GENERAL NOTES REFER TO DRG N° 0630-1901.



THIS DRAWING SHALL BE READ IN CONJUNCTION WITH DRG N° 0630-1901 AND PROJECT SPECIFIC DRAWINGS SHOWING LIGHT POLE LOCATIONS, RAILING AND PARAPET PANELS LAYOUT AND INSTALLATION DETAILS.

03/08/23	DRAWING TITLE BLOCK UPGRADED. ADDED DRAWING IS FOR MAINTENANCE PURPOSES ONLY NOTE.		<i>Rajala</i>
No.	DATE	DESCRIPTION	AUTHORISED
AMENDMENTS			
PLANNING AND TECHNICAL SERVICES DIRECTORATE STRUCTURES ENGINEERING			
Telephone (08) 9323 4111			
FILE No.	04/7221	JOB No.	
DRAWN	C. FITZGERALD AUG '2006	DESIGNED	BASED ON DRG N° 0030-0405-4
CHECKED	W. GILES AUG '2006	VERIFIED	E.R. SMITH 12/12/2006
APPROVED	R.F. SCANLON		12/12/2006



STANDARD DRAWING
**BRIDGE LIGHT POLE BASE
SHEET N° 2**

DRAWING NUMBER AMEND.
0630-1902-1

1:5
1:2.5
1:1
SCALE
MICROFILM DATE
A
1