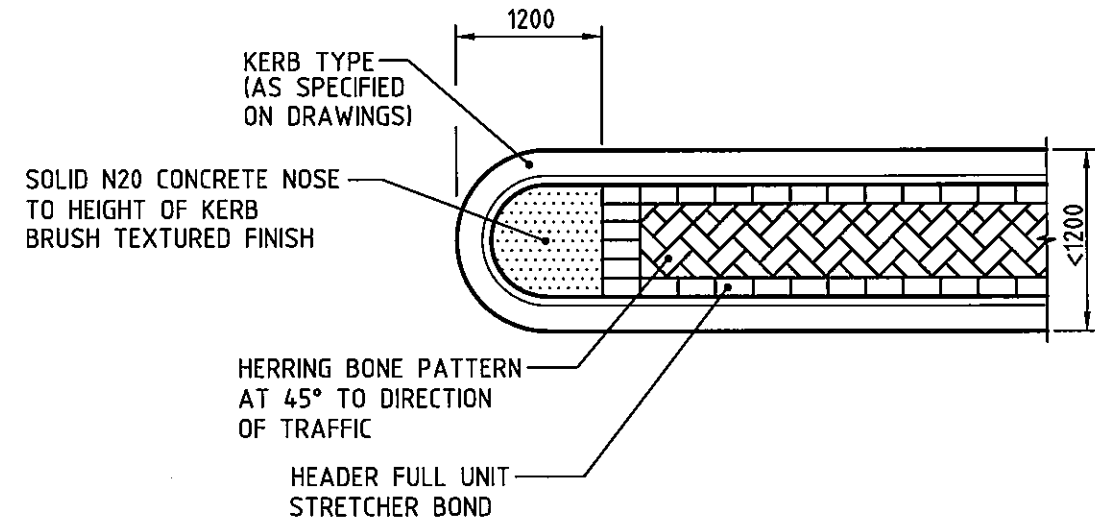
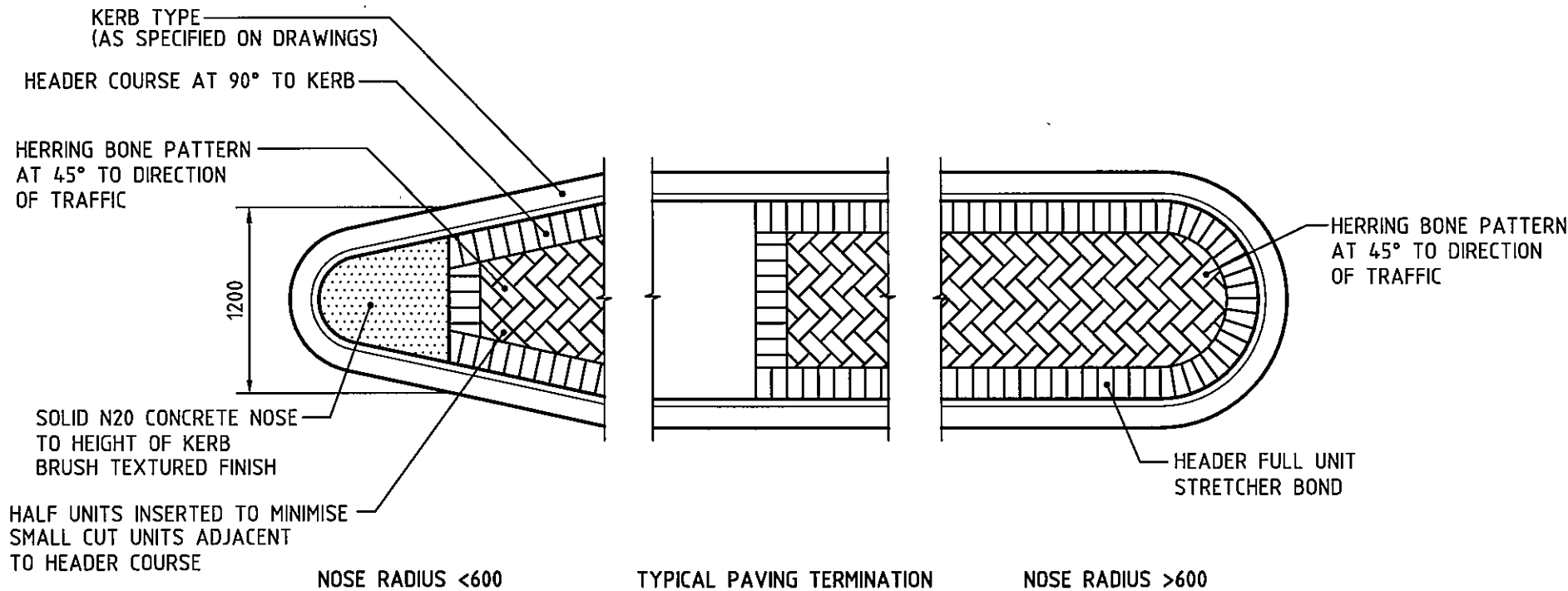


**SPLITTER ISLAND**



**ISLAND OR MEDIAN  
NOSE RADIUS <600**



**TYPICAL PAVING TERMINATION**

**NOSE RADIUS >600**

**ISLAND OR MEDIAN**

**NOTES**

1. ALL DIMENSIONS ARE IN MILLIMETRES.
2. IF BRICK COLOUR NOT SPECIFIED ON DRAWINGS:
  - FOR HERRING BONE PATTERN USE MIDLAND BRICK 'RED' OR SIMILAR APPROVED COLOUR.
  - FOR HEADER USE MIDLAND BRICK 'GOLDEN DUNE' OR SIMILAR APPROVED COLOUR.
3. ALL PAVERS TO BE HEAVY DUTY UNLESS SPECIFIED OTHERWISE.
4. HARD LANDSCAPING MUST BE PROVIDED FOR KERBED RESIDUAL MEDIANS WHICH ARE LESS THAN 3m WIDE AND FOR TRAFFIC ISLANDS.
5. FOR WIDER KERBED MEDIANS AND TRAFFIC ISLANDS, HARD LANDSCAPING MUST BE PROVIDED FOR A MINIMUM OF 10m FROM THE NOSE, UNLESS SPECIFIED OTHERWISE.
6. HARD LANDSCAPING MUST BE CONSTRUCTED USING SEGMENTAL PAVING, OR OTHER APPROVED MATERIALS, AS NOMINATED IN THE LANDSCAPE DESIGN DOCUMENTS FOR THE SPECIFIC LOCATION.

No.	DESCRIPTION	APPROVED & DATE	No.	DESCRIPTION	APPROVED & DATE
2	NOTES 4, 5 & 6 ADDED.	CM 9/12/11			
1	NOTE 2 AMENDED.	W.C. 13/06/05			
AMENDMENTS			AMENDMENTS		

**METADATA**

GROUND SURVEY STANDARD:  
 DATE OF CAPTURE:  
 MAPPING SURVEY STANDARD:  
 DATE OF CAPTURE:  
 MAIN ROADS PROJECT ZONE:  
 HEIGHT DATUM:

**MAIN ROADS**  
 Western Australia  
 TECHNOLOGY AND ENVIRONMENT DIRECTORATE  
 ROAD AND TRAFFIC ENGINEERING  
 WATERLOO CRESCENT EAST PERTH 6004  
 Telephone (08) 9323 4111 Fax (08) 9323 4449

**STANDARD DRAWING**  
 ISLANDS AND MEDIANS  
**SEGMENTAL PAVING DETAILS**  
 HERRING BONE PATTERN

LOCAL AUTHORITY

DESIGNED ROAD AND TRAFFIC ENGINEERING	VERIFIED J. KARPINSKI 29/07/03
DRAWN J. COOK	APPROVED T. FREEMAN 30/07/03
DRAWING TYPE 1415	FILE NUMBER DRAWING NUMBER 200331-154-2

SCALE NOT TO SCALE  
 A3  
 MICROFILM DATE