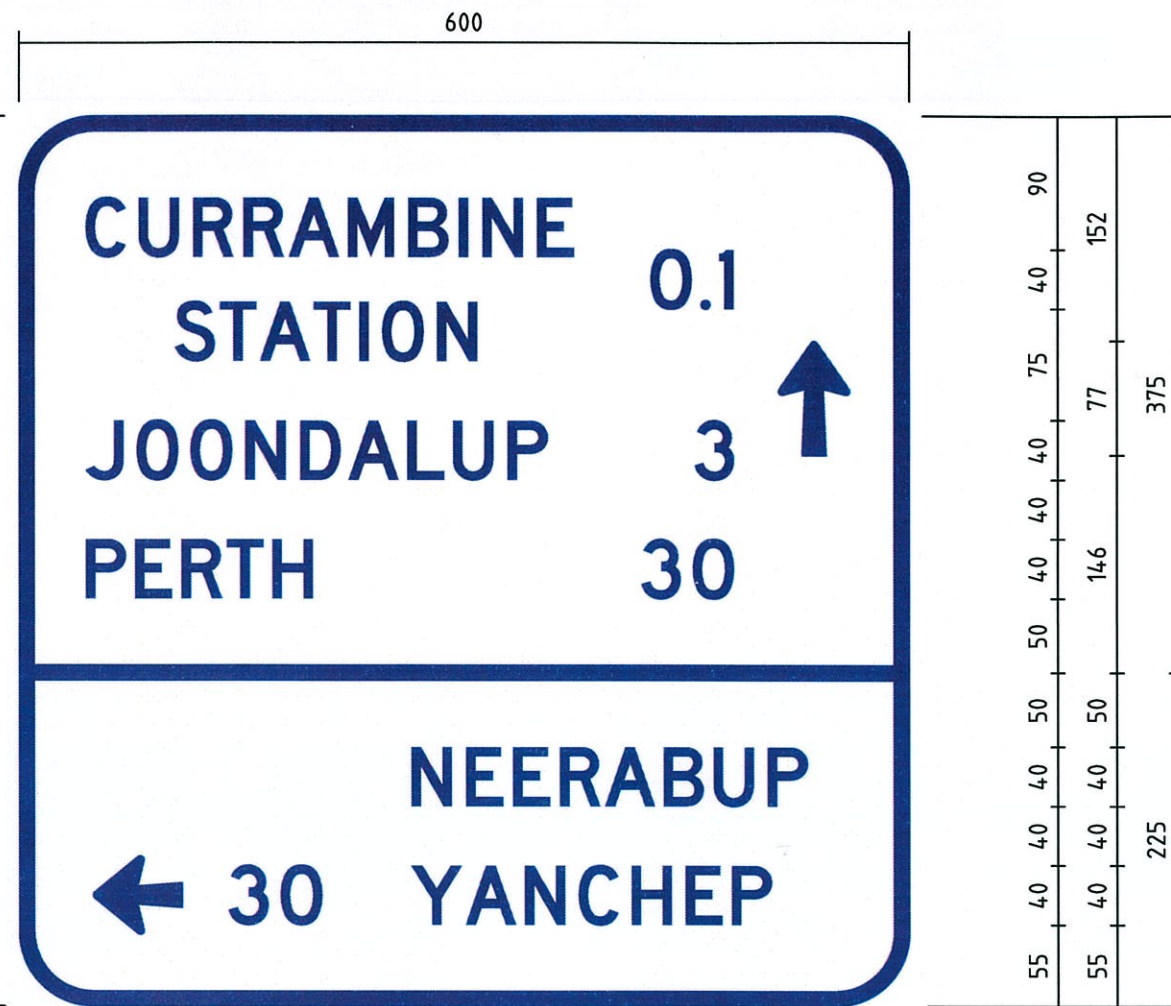


USE MR-GC-16 FOR THIS PANEL

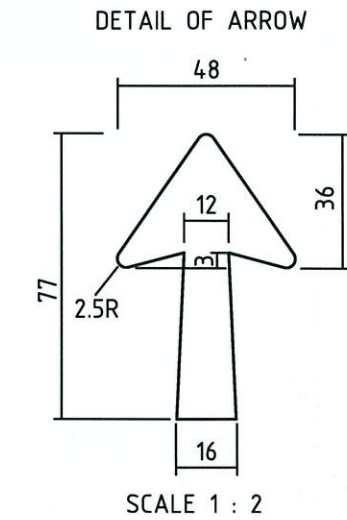
PANEL A



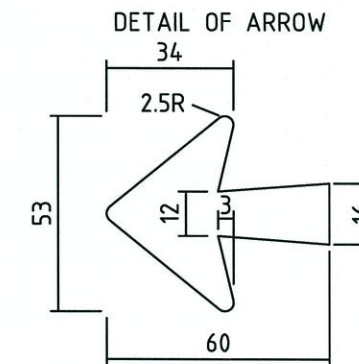
PANEL B

40 D LETTERS

40 D LETTERS



SCALE 1 : 2



SCALE 1 : 2

45	330	50	57	30	48	40
108	204	288				
45	312	99	27	118		
45	153	220	64	118		
264		268		68		
50	60	30	64	60	244	92

NOTES:

1. DIMENSIONS: MEASUREMENTS IN mm. CORNER RADIUS = 50. BORDER = NONE. EDGE STRIP = 10. MAIN SIGN PANEL AREA = 0.36 SQM.
2. COLOURS: BLUE RETROREFLECTIVE LEGEND & BORDER ON WHITE RETROREFLECTIVE BACKGROUND.
3. RETROREFLECTIVE CLASS MATERIAL: CLASS 400.
4. GRAFFITI PROTECTION: REQUIRED.
5. MATERIALS: ALL SIGN MATERIALS AND MANUFACTURE TO BE IN ACCORDANCE WITH MAIN ROADS SPECIFICATION 601.
6. TEXT FONTS COMPLY WITH FHWA 2000 SERIES.

AMENDMENTS		
No.	DESCRIPTION	APPROVED & DATE
1	RETROREFLECTIVE CLASS AND FONT STYLE CHANGED, NOTE 6 AND COLOUR ADDED.	<i>[Signature]</i> 2/7/18

NOTES

TECHNOLOGY AND ENVIRONMENT
ROAD AND TRAFFIC ENGINEERING
 WATERLOO CRESCENT EAST PERTH 6004
 Telephone (08) 9323 4111 Fax (08) 9323 4449

FILE NUMBER	67-08-4F
DESIGNED / DRAWN	J. VOKE 29.5.07
VERIFIED	D. LANDMARK 7.6.07
APPROVED	L. BROADHURST 8.6.07

GUIDE SIGN
 CYCLING SERIES
 BICYCLE ROUTE MARKER SUPPLEMENTARY PLATE
MR-GC-18E
 2 DIRECTIONS, 6 LINES OF TEXT

DRAWING TYPE	DRAWING NUMBER	AMEND
6002	200731-0031-1	

SCALE 1:5 0 25mm 50 75 100 125 150 175 200 225 250 275 300 325 350 375