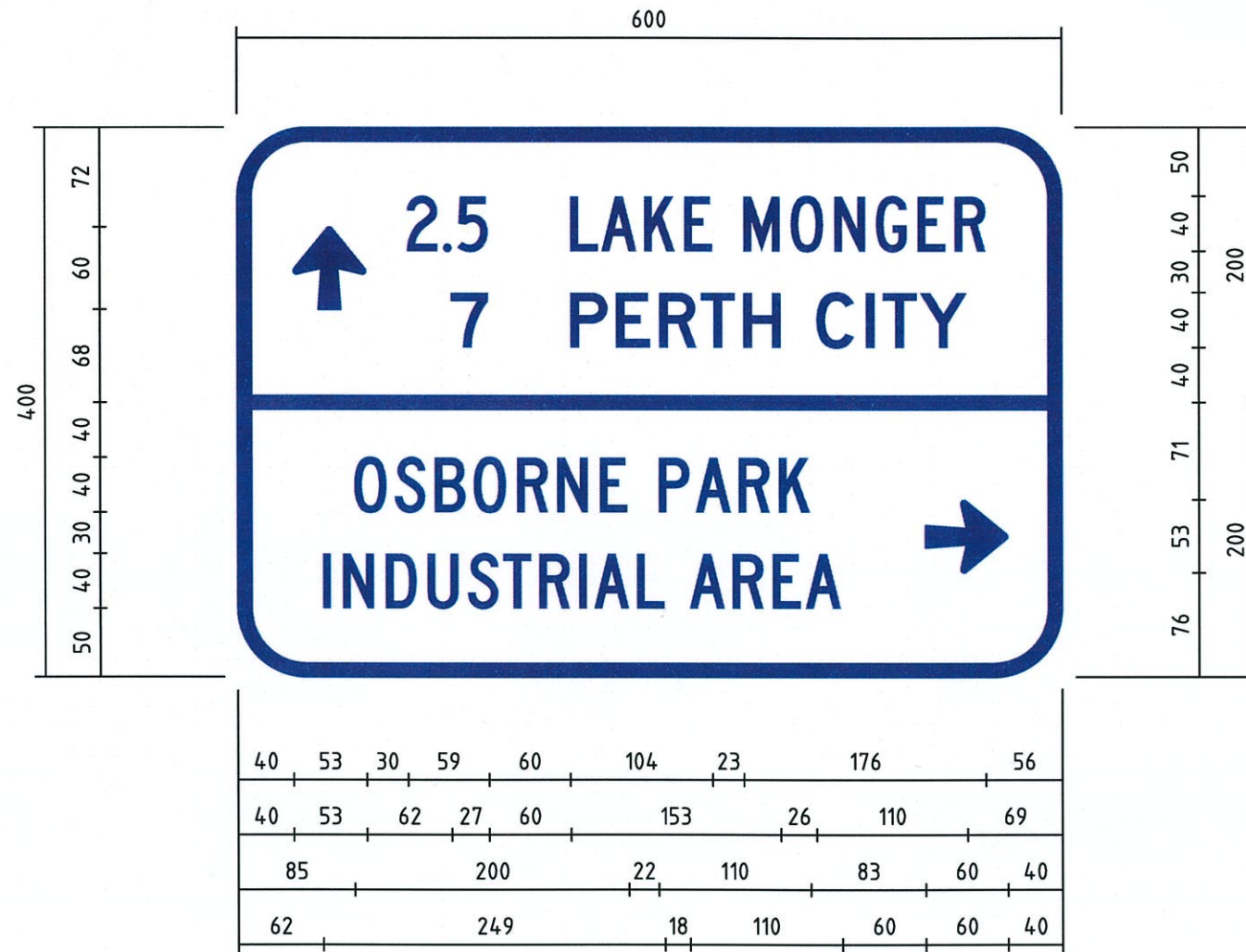


USE MR-GC-16 FOR THIS PANEL

PANEL A



40 C
LETTERS

40 D
LETTERS

PANEL B

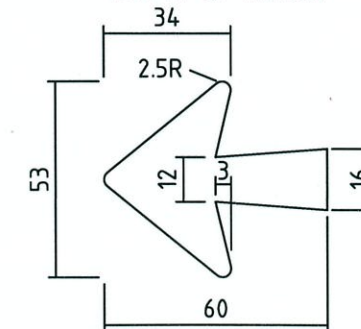
40 C
LETTERS

40 C
LETTERS

NOTES:

1. DIMENSIONS: MEASUREMENTS IN mm. CORNER RADIUS = 50. BORDER = NONE. EDGE STRIP = 10. MAIN SIGN PANEL AREA = 0.24 SQM.
2. COLOURS: BLUE RETROREFLECTIVE LEGEND & BORDER ON WHITE RETROREFLECTIVE BACKGROUND.
3. RETROREFLECTIVE CLASS MATERIAL: CLASS 400.
4. GRAFFITI PROTECTION: REQUIRED.
5. MATERIALS: ALL SIGN MATERIALS AND MANUFACTURE TO BE IN ACCORDANCE WITH MAIN ROADS SPECIFICATION 601.
6. TEXT FONTS COMPLY WITH FHWA 2000 SERIES.

DETAIL OF ARROW



SCALE 1 : 2

AMENDMENTS		
No.	DESCRIPTION	APPROVED & DATE
1	RETROREFLECTIVE CLASS AND FONT STYLE CHANGED, NOTE 6 AND COLOUR ADDED.	<i>Broadhurst</i> 31/7/18

NOTES




 TECHNOLOGY AND ENVIRONMENT
ROAD AND TRAFFIC ENGINEERING
 WATERLOO CRESCENT EAST PERTH 6004
 Telephone (08) 9323 4111 Fax (08) 9323 4449

FILE NUMBER	67-08-4F
DESIGNED / DRAWN	J. VOKE 29.5.07
VERIFIED	D. LANDMARK 7.6.07
APPROVED	L. BROADHURST 8.6.07

GUIDE SIGN
 CYCLING SERIES
 BICYCLE ROUTE MARKER SUPPLEMENTARY PLATE
MR-GC-18C
 2 DIRECTIONS, 4 LINES OF TEXT

DRAWING TYPE	DRAWING NUMBER	AMEND
6002	200731-0029-1	

SCALE 1:5 0 25mm 50 75 100 125 150 175 200 225 250 275 300 325 350 375