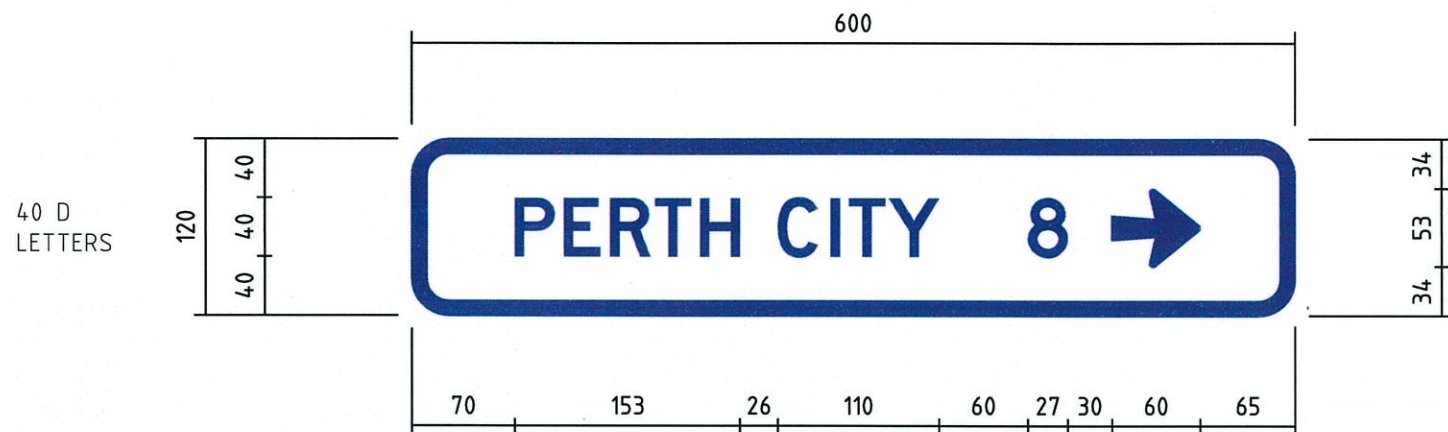
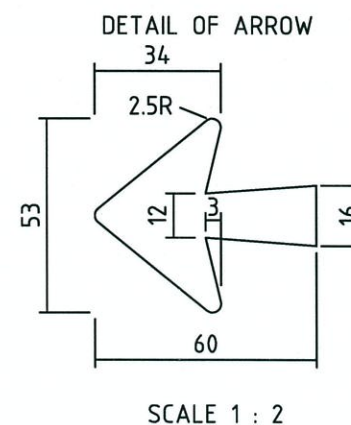


USE MR-GC-16 FOR THIS PANEL

PANEL A



PANEL B



NOTES:

1. DIMENSIONS: MEASUREMENTS IN mm. CORNER RADIUS = 25. BORDER = NONE. EDGE STRIP = 10. MAIN SIGN PANEL AREA = 0.072 SQM.
2. COLOURS: BLUE RETROREFLECTIVE LEGEND & BORDER ON WHITE RETROREFLECTIVE BACKGROUND.
3. RETROREFLECTIVE CLASS MATERIAL: CLASS 400.
4. GRAFFITI PROTECTION: REQUIRED.
5. MATERIALS: ALL SIGN MATERIALS AND MANUFACTURE TO BE IN ACCORDANCE WITH MAIN ROADS SPECIFICATION 601.
6. TEXT FONTS COMPLY WITH FHWA 2000 SERIES.

AMENDMENTS		
No.	DESCRIPTION	APPROVED & DATE
1	RETROREFLECTIVE CLASS AND FONT STYLE CHANGED, NOTE 6 AND COLOUR ADDED.	<i>[Signature]</i> 31/7/18

NOTES

TECHNOLOGY AND ENVIRONMENT
 ROAD AND TRAFFIC ENGINEERING
 WATERLOO CRESCENT EAST PERTH 6004
 Telephone (08) 9323 4111 Fax (08) 9323 4449

FILE NUMBER	67-08-4F	
DESIGNED / DRAWN	J. VOKE	29.5.07
VERIFIED	D. LANDMARK	7.6.07
APPROVED	L. BROADHURST	8.6.07

GUIDE SIGN
 CYCLING SERIES
 BICYCLE ROUTE MARKER SUPPLEMENTARY PLATE
MR-GC-17A
 1 DIRECTION, 1 LINE OF TEXT

LOCAL AUTHORITY	DRAWING TYPE	DRAWING NUMBER	AMEND.
	6002	200731-0025-1	

SCALE 1:5
 MICROFILM DATE A 3