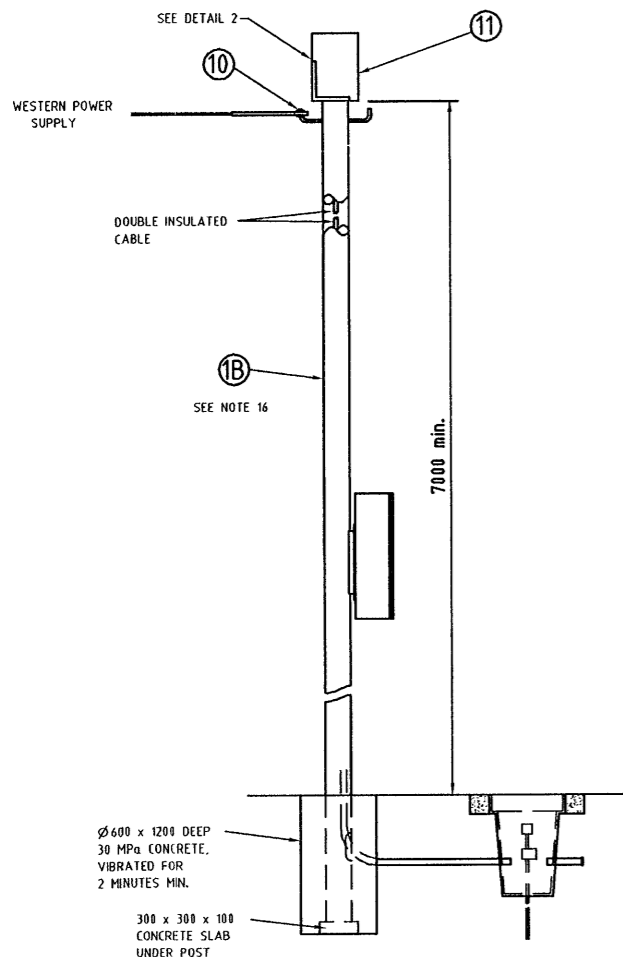
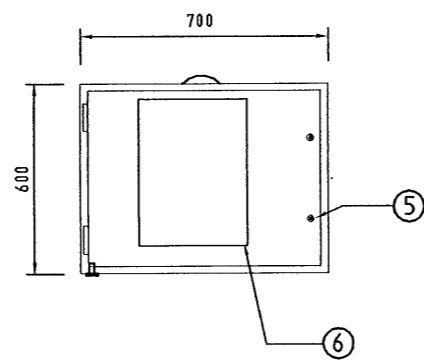


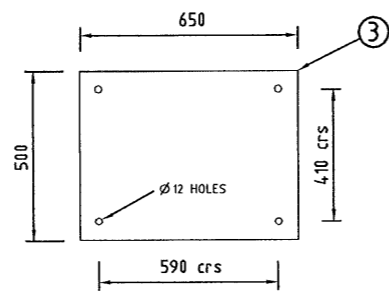
WITHOUT REMOTE CONTROL  
FOR UNDERGROUND POWER SUPPLY  
N.T.S



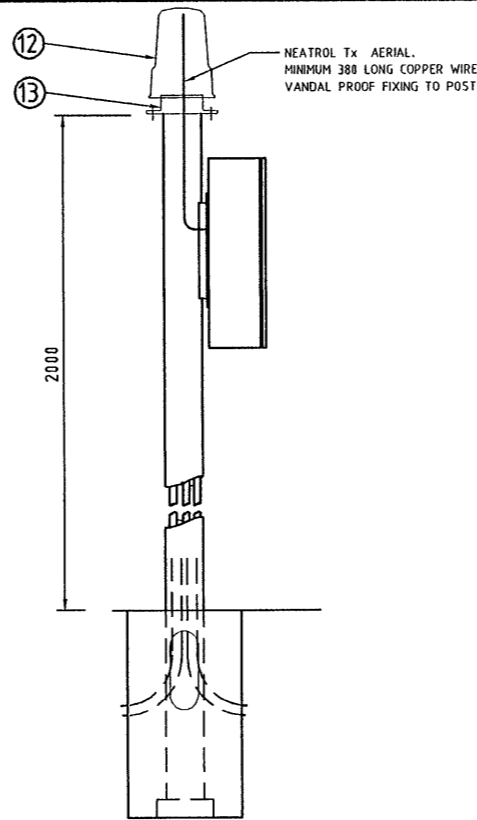
FOR OVERHEAD POWER SUPPLY  
N.T.S



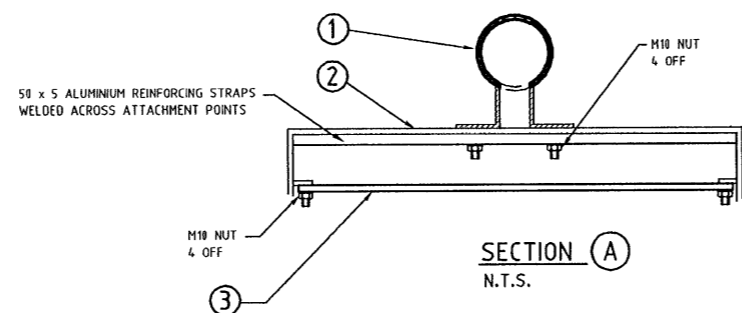
SWITCHBOARD  
FRONT VIEW  
N.T.S.



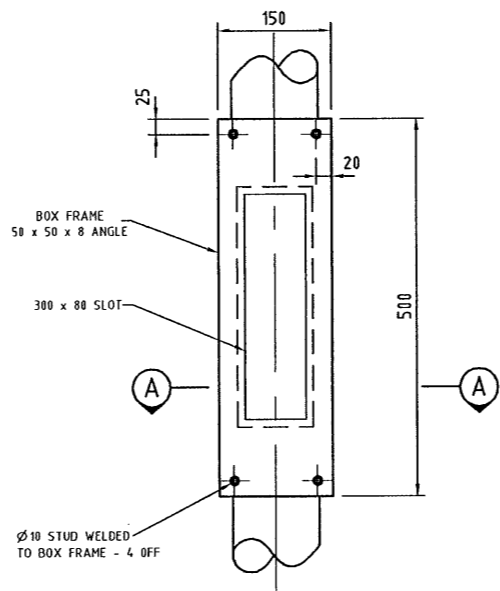
MOUNTING PLATE  
DETAIL  
N.T.S.



REMOTE CONTROL  
AERIAL LOCATION  
N.T.S.

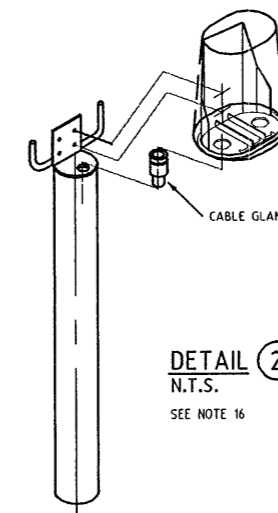


SECTION A  
N.T.S.

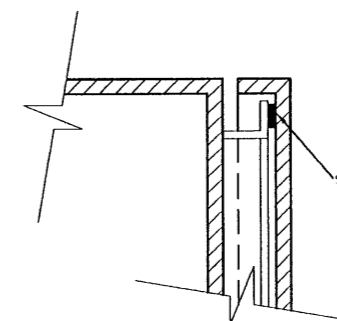


DETAIL 1  
N.T.S.

EQUIPMENT LIST				
ITEM	DESCRIPTION	MAKE	CATALOGUE No.	QTY.
1A	SUPPORT POST		REFER NOTES 8-10	1
1B	AERIAL POA POLE		REFER NOTE 16	1
2	SWITCHBOARD ENCLOSURE		REFER NOTES 2-7	1
3	MOUNTING PLATE		ALUMINIUM 2.5mm THICK	1
4	KEY SWITCH	SPRECHER & SCHUH	DSM-KM3RS 3LX30	1
5	DOOR LATCH ASSEMBLY	TYCO	SEE NOTE 5	2
6	CONTROLLER LABEL		SEE DRG 200431-0125	1
7	CABLE AND EARTHING PIT	VISCOUNT	P2	1
8	EARTH ROD CLAMP	ALM	EPI	1
9	EARTH ROD $\phi 19 \times 2400$	ALM	LGR1924	1
10	BRACKET AND INSULATOR			1
11	POST ISOLATING SWITCH	HEINEMAN	SPB IN32-C1 32A	1
12	FINIAL CAP		SEE MRWA SPEC 712	1
13	UPPER MOUNTING BRACKET	ALDRIDGE TRAFFIC SYSTEMS	VL 648-6	1



DETAIL 2  
N.T.S.  
SEE NOTE 16



DETAIL 3  
N.T.S.

AMENDMENTS		
No.	DESCRIPTION	APPROVED & DATE

- NOTES**
- THIS DRAWING SHALL BE READ IN CONJUNCTION WITH MRWA SPECIFICATION 712.
  - SWITCHBOARD ENCLOSURES SHALL BE MANUFACTURED FROM 2.5mm MARINE GRADE ALUMINIUM AND SHALL PROVIDE PROTECTION TO IP56. THE EXTERIOR SHALL BE AN ORBITAL SANDED FINISH.
  - SWITCHBOARD ENCLOSURES SHALL BE CENTRALLY MOUNTED ON THE BOX FRAME.
  - DOORS SHALL BE FITTED WITH LIFT OFF 'PINTLE' TYPE BRASS HINGES SUITABLY PLATED (Z OFF), A DRAWING POCKET AND STIFFENING RIB.
  - ENCLOSURE AND DOOR DESIGN SHALL ACCEPT DOOR LATCH ASSEMBLIES AS USED IN TRAFFIC SIGNAL CONTROLLERS.
  - KEYSWITCH (KCS) SHALL BE MOUNTED ON THE BASE OF THE ENCLOSURE ON THE LEFT, AND SHALL BE SEALED AGAINST THE INGRESS OF MOISTURE.
  - ALL EQUIPMENT SHALL BE LABELLED WITH ENGRAVED, W-B-W TRAFFOLITE LABELS.
  - POSTS SHALL BE MANUFACTURED FROM MEDIUM STEEL TUBE OF NOMINAL SIZE DN100 COMPLYING WITH AS 1074 (OD=113.3 TO 114.9mm AND 4.55mm WALL THICKNESS).
  - POSTS SHALL BE HOT DIP GALVANISED IN ACCORDANCE WITH AS/NZS 4680 AFTER FABRICATION.
  - ALL AREAS OF STEEL EXPOSED AFTER GALVANISING SHALL BE PAINTED WITH A ZINC ENRICHED PRIMER COMPLYING WITH AS 1554.1.
  - AN ANTI-GRAFFITI FINISH SHALL BE APPLIED TO THE ENCLOSURE AND POST IN ACCORDANCE WITH MAIN ROADS SPECIFICATION 908.
  - ALL CABLING SHALL BE INTERNAL TO THE POST AND SHALL BE DOUBLE INSULATED.
  - SEE DRAWING 200431-0110 FOR CONTROLLER PANEL LAYOUT.
  - SEE DRAWING 200431-0109 FOR SCHEMATIC CIRCUIT.
  - SEE DRAWING 200431-0108, 200431-0105 & 200431-0104 FOR TYPICAL LAYOUTS.
  - SEE DRAWING 200431-0141 FOR AERIAL POA POLE DETAILS.

REFERENCE DRAWINGS	
DESCRIPTION	DRAWING NUMBER
SIGNAL LAYOUT.	200431-0108
TYPICAL CONDUIT LAYOUT.	200431-0113

Government of Western Australia  
**MAIN ROADS** Western Australia  
 TECHNOLOGY AND ENVIRONMENT  
**ROAD AND TRAFFIC ENGINEERING**  
 Waterloo Crescent East Perth 6004  
 Telephone (08) 9323 4111 Fax (08) 9323 4449

FILE NUMBER	67-08-4F
DESIGNED / DRAWN	F. WINKLER / K. GREENDA
VERIFIED	B. CHAREHJOO 04/12/2006 Bia Charehjo
APPROVED	[Signature] 2/10/7

STANDARD DRAWING  
 ADVANCE WARNING FLASHING  
 SIGNALS AT SCHOOL CROSSING AND  
 SIGNS AT ISOLATED HAZARDS  
 SWITCHBOARD DETAILS

DRAWING TYPE	DRAWING NUMBER	AMEND
	200431-0111	

SCALE N.T.S. WORKSHEET DATE A 3