

AMENDMENTS		
No.	DESCRIPTION	APPROVED & DATE
1	DRAWING NO. AMENDED IN NOTES 3, 4 & 5.	B.CHAREHJOO 25.3.07
2	NOTES 5, 6, 7 & 10 AMENDED, NOTES 14 TO 16 ADDED, TITLE BLOCK UPDATED.	B.Charehjo 2016/16

**NOTES**

- THIS DRAWING SHALL BE READ IN CONJUNCTION WITH SPECIFICATION 712.
- TYPICAL SYMBOL SHOWN. REFER TO DRG. No. 200431-0085 TO 200431-0088 FOR SUITABLE SYMBOL TO MATCH HAZARD.
- FOR SIGN FABRICATION DETAILS SEE DRG No. 200431-0085 TO 200431-0088.
- FOR SIGN POST FABRICATION DETAILS SEE DRG No. 200431-0089 TO 200431-0092.
- FOR SIGN FOOTING DETAILS USING CHS POSTS SEE DRG No. 0330-1689. FOR SIGN FOOTING DETAILS USING SIGNFIX FLUTED ALUMINIUM POSTS SEE DRG No. 201431-0016.
- FOR SIGN ELECTRICAL DETAILS USING CHS POSTS SEE DRG No. 200431-0100. FOR SIGN ELECTRICAL DETAILS USING SIGNFIX FLUTED ALUMINIUM POSTS SEE DRG No. 201431-0015.
- FOR WIRING CONSTRUCTION DETAILS USING CHS AND SIGNFIX FLUTED ALUMINIUM POSTS SEE DRG No. 201531-0060.
- ALL ROAD CROSSINGS TO BE INSTALLED BY UNDER GROUND BORING.
- CABLE DRAW PITS SHALL BE INSTALLED AT APPROXIMATELY 50m INTERVALS.
- EACH SIGN SHALL BE SEPERATELY WIRED WITH A 2.5mm<sup>2</sup> 5-CORE CABLE, AND ALL CABLES CALCULATIONS SHALL BE AS PER AS/NZS 3000.
- 2m CABLE SLACK SHALL BE LEFT IN EACH CABLE DRAW PIT.
- TERMINATION PITS SHALL BE LOCATED ON HIGH GROUND LEVELS AWAY FROM DRAINS OR AREAS SUBJECT TO FLOODING.
- REFER TO STANDARD DRAWING No. 8720-0762.
- PRIOR TO CALCULATING CABLE SIZE CONFIRM POWER SOURCE REQUIREMENT IN THE AREA.
- SIGNAL ACTIVATION DEPENDS ON CLIENT'S CONTROL CABINET AND TERMINATION REQUIREMENTS.
- ALL ELECTRICAL CABLE PITS AND CONTROL CABINETS TO BE INSTALLED WITHIN FLAT VERGE AREA. IF THERE IS A SLOPE, LOCALISED WIDENING TO BE PROVIDED.

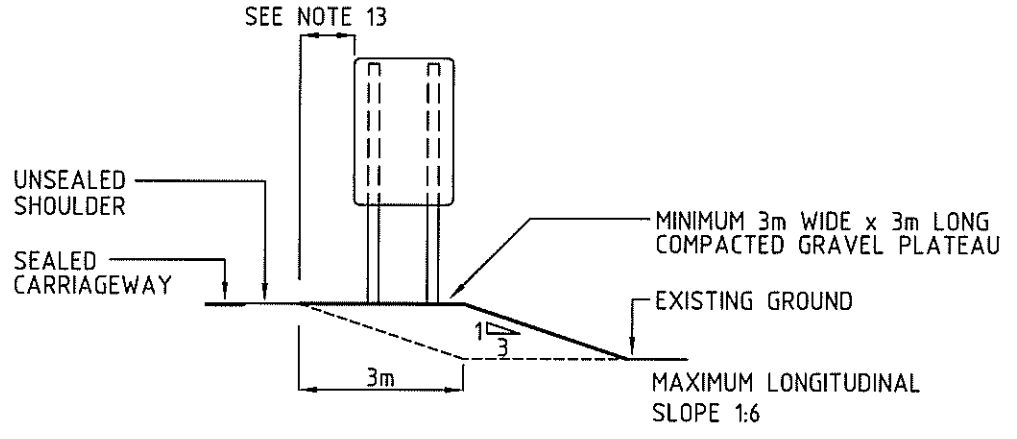
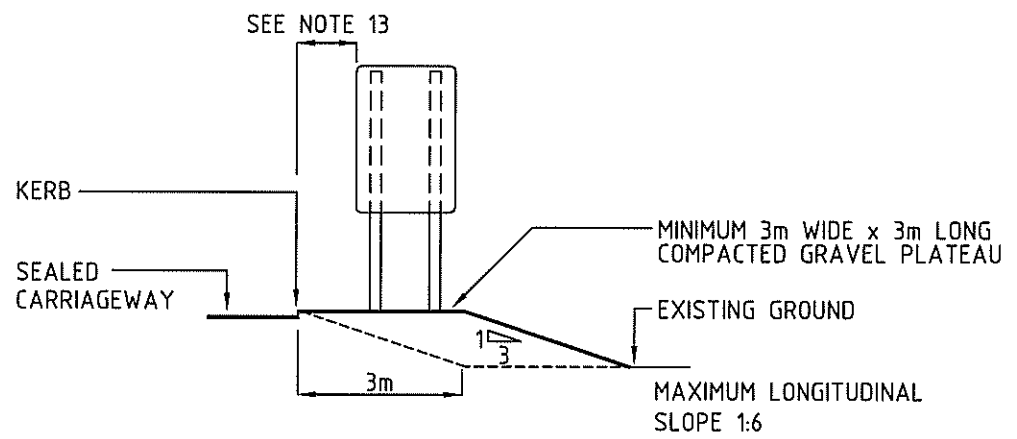
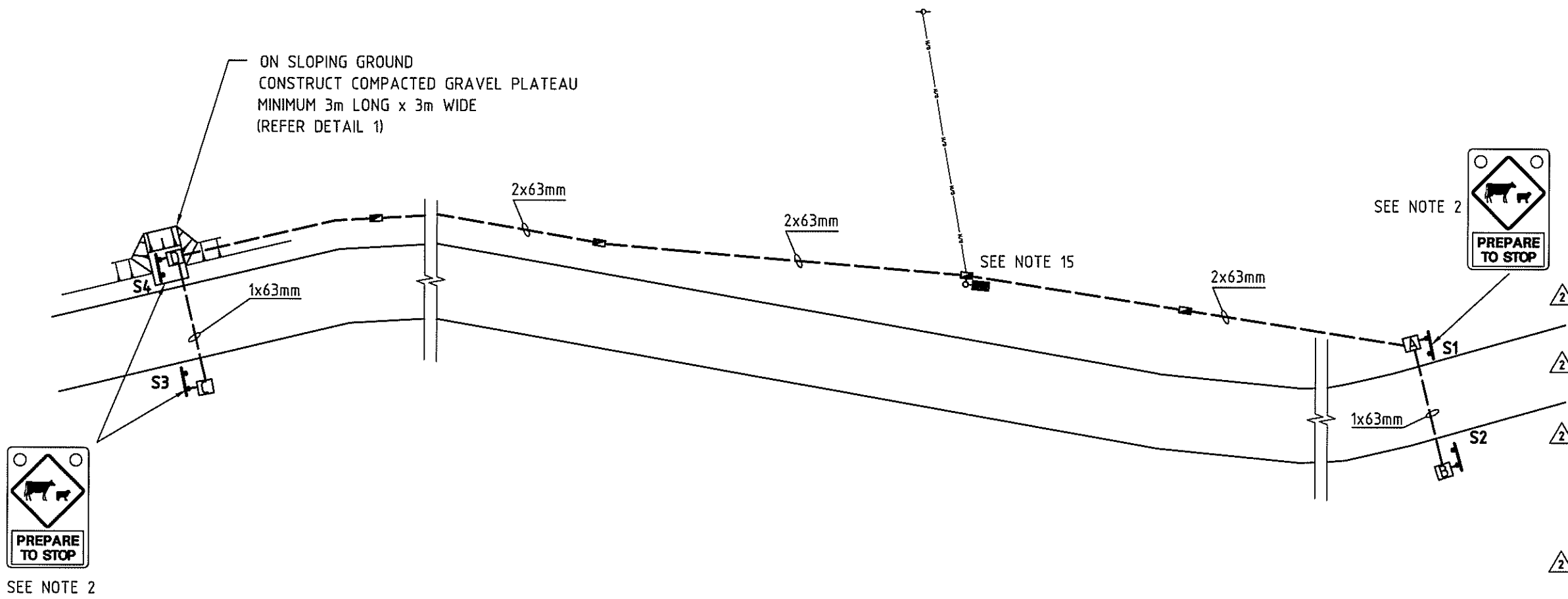
**mainroads**  
WESTERN AUSTRALIA

PLANNING AND TECHNICAL SERVICES DIRECTORATE  
ROAD AND TRAFFIC ENGINEERING BRANCH  
Waterloo Crescent East Perth 6004  
Telephone (08) 9323 4111 Fax (08) 9323 4430

FILE NUMBER 67-08-4F  
DESIGNED / DRAWN F.WINKLER/K.GRENDA  
VERIFIED B.CHAREHJOO  
APPROVED R.GROVE 2.2.07

GUIDELINE DRAWING  
ADVANCE WARNING FLASHING SIGNS  
AT GENERAL HAZARDS  
TYPICAL LAYOUT

LOCAL AUTHORITY  
MRWA DRAWING NUMBER 200431-0104-2



**DETAIL 1**  
N.T.S.

**LEGEND:**

- A TRAFFIC SIGNAL TERMINATION PIT (FC18)
- POST MOUNTED CONTROLLER
- P2 CABLE DRAW PIT (P2)
- 1x63mm HD PVC CONDUIT
- EXISTING RAILWAY RAIL CONDUIT
- EXISTING OVERHEAD POWER
- EXISTING POWER POLE

SCALE N.T.S. A 3