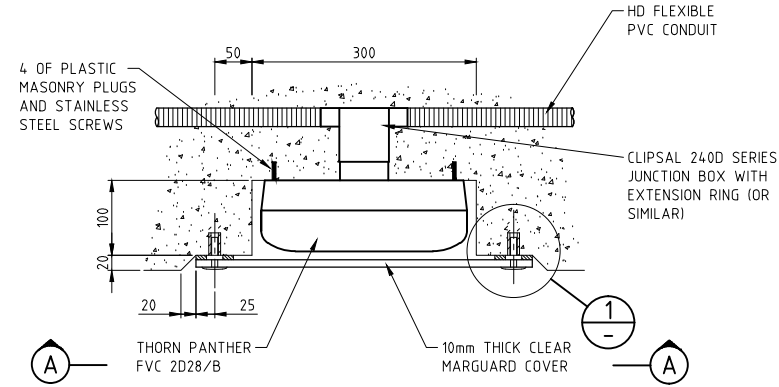


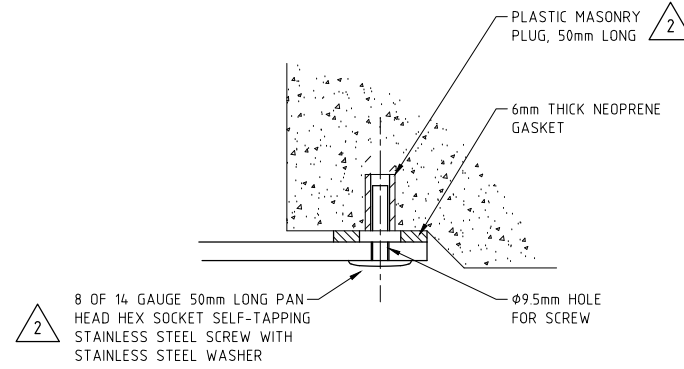
- LEGEND**
- ☒ UNDERPASS LUMINAIRE
 - ☐ CABLE PIT
 - CONDUIT

LAYOUT
SCALE 1:100

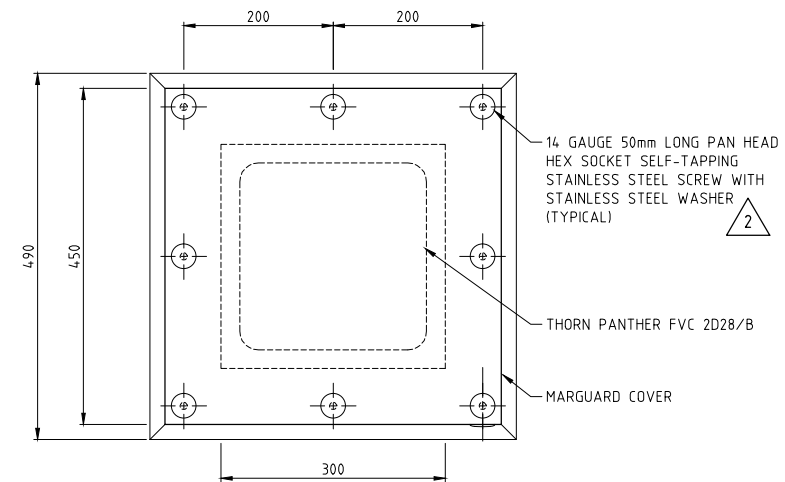
LUMINAIRE No.	LUMINAIRE PART No.	LAMP	LUMEN OUTPUT	CIRCUIT	CABLE SIZE		COMMENTS
					ACTIVE	EARTH	
XXX01	THORN PANTHER FVC 2D28/B	28W 2D CFL	2050	L1	4mm ²	2.5mm ²	
XXX02	THORN PANTHER FVC 2D28/B	28W 2D CFL	2050	L2	4mm ²	2.5mm ²	
XXX03	THORN PANTHER FVC 2D28/B	28W 2D CFL	2050	L1	4mm ²	2.5mm ²	
XXX04	THORN PANTHER FVC 2D28/B	28W 2D CFL	2050	L2	4mm ²	2.5mm ²	
XXX05	THORN PANTHER FVC 2D28/B	28W 2D CFL	2050	L1	4mm ²	2.5mm ²	
XXX06	THORN PANTHER FVC 2D28/B	28W 2D CFL	2050	L2	4mm ²	2.5mm ²	
XXX07	THORN PANTHER FVC 2D28/B	28W 2D CFL	2050	L1	4mm ²	2.5mm ²	
XXX08	THORN PANTHER FVC 2D28/B	28W 2D CFL	2050	L2	4mm ²	2.5mm ²	
XXX09	THORN PANTHER FVC 2D28/B	28W 2D CFL	2050	L1	4mm ²	2.5mm ²	
XXX10	THORN PANTHER FVC 2D28/B	28W 2D CFL	2050	L2	4mm ²	2.5mm ²	
XXX11	THORN PANTHER FVC 2D28/B	28W 2D CFL	2050	L1	4mm ²	2.5mm ²	
XXX12	THORN PANTHER FVC 2D28/B	28W 2D CFL	2050	L2	4mm ²	2.5mm ²	
XXX13	THORN PANTHER FVC 2D28/B	28W 2D CFL	2050	L1	4mm ²	2.5mm ²	
XXX14	THORN PANTHER FVC 2D28/B	28W 2D CFL	2050	L2	4mm ²	2.5mm ²	



UNDERPASS LUMINAIRE INSTALLATION
SCALE 1:5



DETAIL 1
SCALE 1:20



SECTION A
SCALE 1:5

AMENDMENTS			
No.	DATE	DESCRIPTION	APPROVED
1	19/8/09	S/S ANCHOR LENGTH 30mm	I. WILL
2	17/10/12	NOTES CHANGED IN DETAIL 1 & SECTION A. DRAWING NOTES NUMBERED.	

- NOTES**
- CABLE MARKERS SHALL BE PLACED AT PITS.
 - ALL CABLES SHALL BE Cu SINGLE CORE PVC/PVC OF MAXIMUM 25mm², MINIMUM 4mm².
 - LUMINAIRE LISTED IS PREFERRED ITEM, ALTERNATIVE LUMINAIRES OF EQUAL OR SUPERIOR SPECIFICATION MAY BE SUBSTITUTED.

REFERENCES

DESCRIPTION	DRAWING No.
ROAD LIGHTING LAYOUT	0448-3001
ROAD LIGHTING POLE DETAIL	0448-3002
ROAD LIGHTING CABLE PIT	0448-3003
SWITCHBOARD G.A.	0448-3004
SWITCHBOARD SCHEMATIC	0448-3005
SWITCHBOARD PLINTH	0448-3006
PSP LIGHTING LAYOUT	0448-3007
PSP LIGHTING POLE DETAIL	0448-3008
UNDERBRIDGE LIGHTING BRACKET	0448-3010
UNDERPASS LIGHTING LAYOUT	0448-3011
LEGEND	8320-0400

CONSULTANT

GHD 'GHD House', 239 Adelaide Terrace Perth WA 6004
 PO Box Y3106 Perth WA 6832 Australia
 T (08) 9429 6666 F (08) 9429 6555
 E permail@ghd.com.au www.ghd.com.au

MANAGEMENT ENGINEERING ENVIRONMENT

JOB NO 611-57750400 DRAWING PATH N:\611\57750400\ASST.MX

DESIGNED/DRAWN	J. A. MCLAREN	DATE	
VERIFIED	G. JACKSON		
APPROVED	P. JONES		

Government of Western Australia **MAIN ROADS** Western Australia

ROAD AND TRAFFIC ENGINEERING

WATERLOO CRESCENT Telephone (08) 9323 4111 EAST PERTH 6004 Fax (08) 9323 4684

STANDARD DRAWING
SBxxx
UNDERPASS LIGHTING LAYOUT & CONSTRUCTION DETAIL

LOCAL AUTHORITY DRAWING NUMBER AMEND.

6210 **0448-3011-2**

SCALE 1:200

MICROFILM DATE A 1