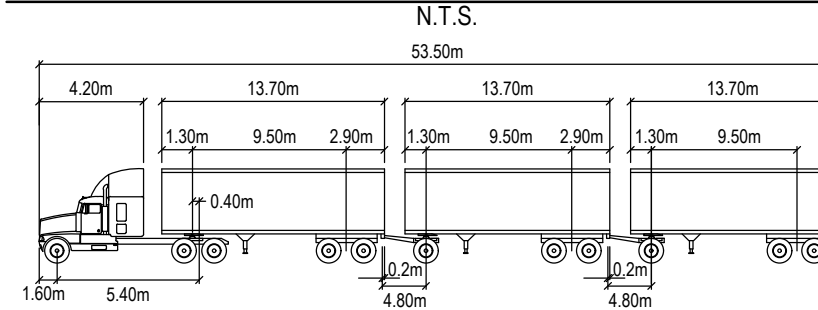
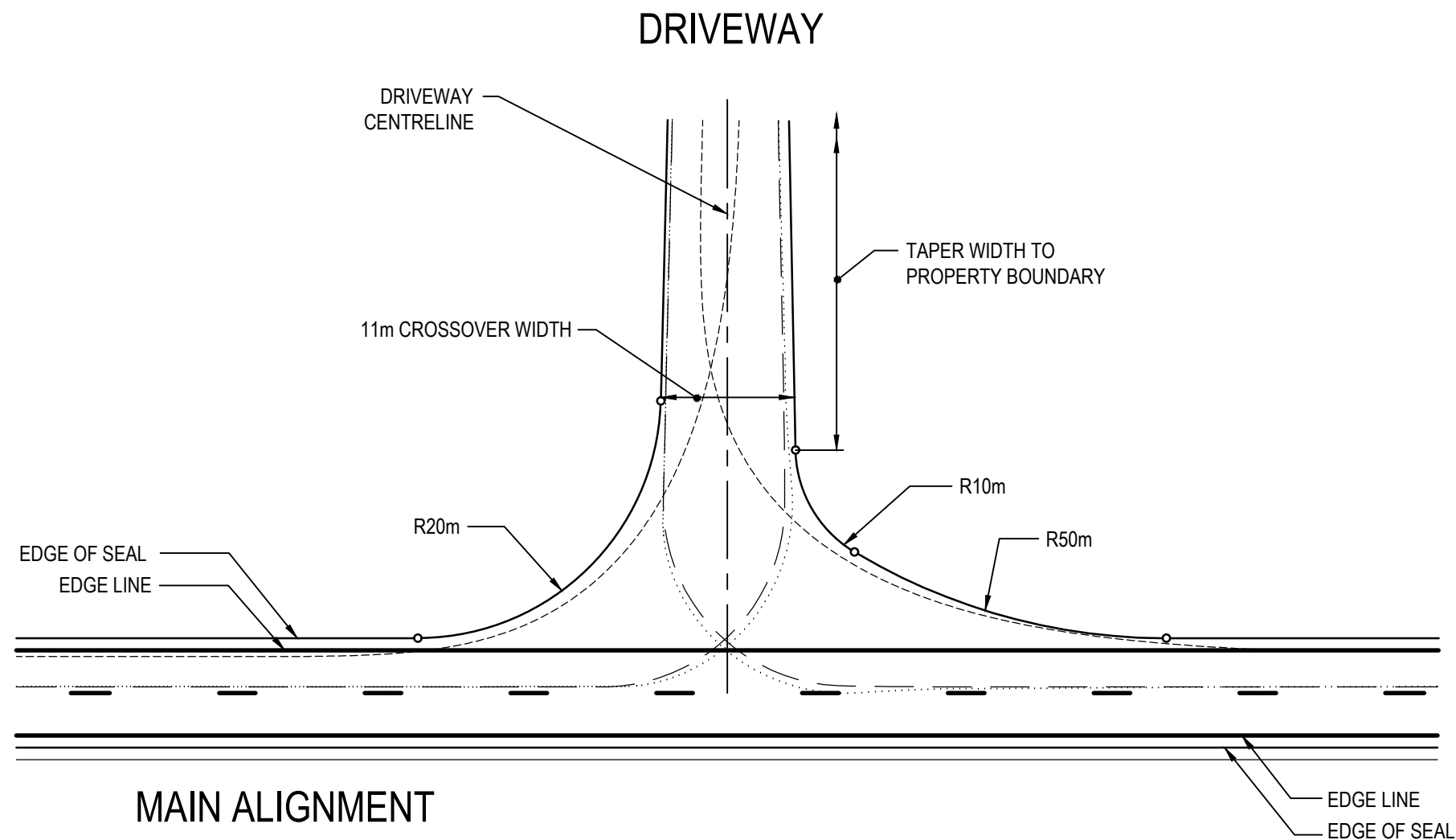


DESIGN VEHICLE - TRIPLE ROAD TRAIN - MRWA RAV 10(B)



TURNING RADIUS = 20m TO OUTSIDE FRONT WHEEL.



RURAL DRIVEWAY SETOUT  
TRIPLE ROAD TRAIN

SCALE 1:500

AMENDMENTS

| No. | DESCRIPTION   | APPROVED & DATE      |
|-----|---|----------------------|
| 1   | TITLE AMENDED TO GUIDELINE DRAWING.   | T.F 09.05.06         |
| 2   | NOTES, TURNING RADIUS, DESIGN VEHICLE & LAYOUT AMENDED. TITLE BLOCK UPDATED. DRIVEWAY CENTRELINE ADDED, SEALED SHOULDERS REMOVED. | C.M. 18/11/22        |
| 3   | TITLE BLOCK AND FILE No. UPDATED.   | C. MAGRIPLIS 22/8/23 |

NOTES

- CROSSOVER SHOWN AS 11.0m WIDE SEAL.
- FOR ADDITIONAL RURAL DRIVEWAY DETAILS REFER TO DRAWING 9831-6281.
- SEAL RADIUS MAY VARY TO SUIT DRIVEWAY ALIGNMENT.

LEGEND

- OUTSIDE FRONT SWEEP PATH
- - - INSIDE REAR WHEEL PATH
- ..... PATH OF OVERHANG

3



PLANNING AND TECHNICAL SERVICES DIRECTORATE  
ROAD AND TRAFFIC ENGINEERING BRANCH  
Waterloo Crescent EAST PERTH 6004  
Telephone 138 138

|          |                     |
|----------|---------------------|
| DRAWN    | E. FINDLATER        |
| DESIGNED | B. SNOOK            |
| VERIFIED | T. FREEMAN 06/05/05 |
| APPROVED | R. GROVE 06/05/05   |
| FILE NO. | 13/4331             |

GUIDELINE DRAWING  
DRIVEWAY SETOUT DETAILS  
RURAL DRIVEWAY SETOUT  
TRIPLE ROAD TRAIN

MRWA DRAWING NUMBER AMENDMENT

200431-0197-3

SCALES 1:500 0 2.5m 5 7.5 10 12.5 15 17.5 20 22.5 25 27.5 30 32.5 35 37.5