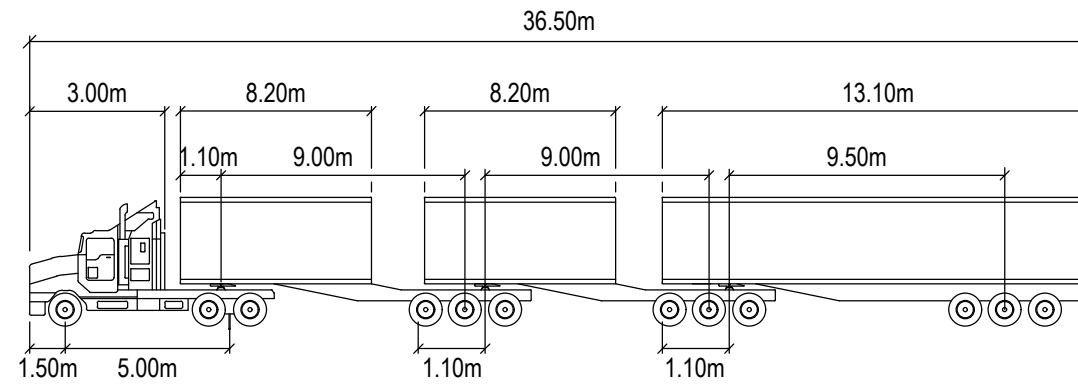
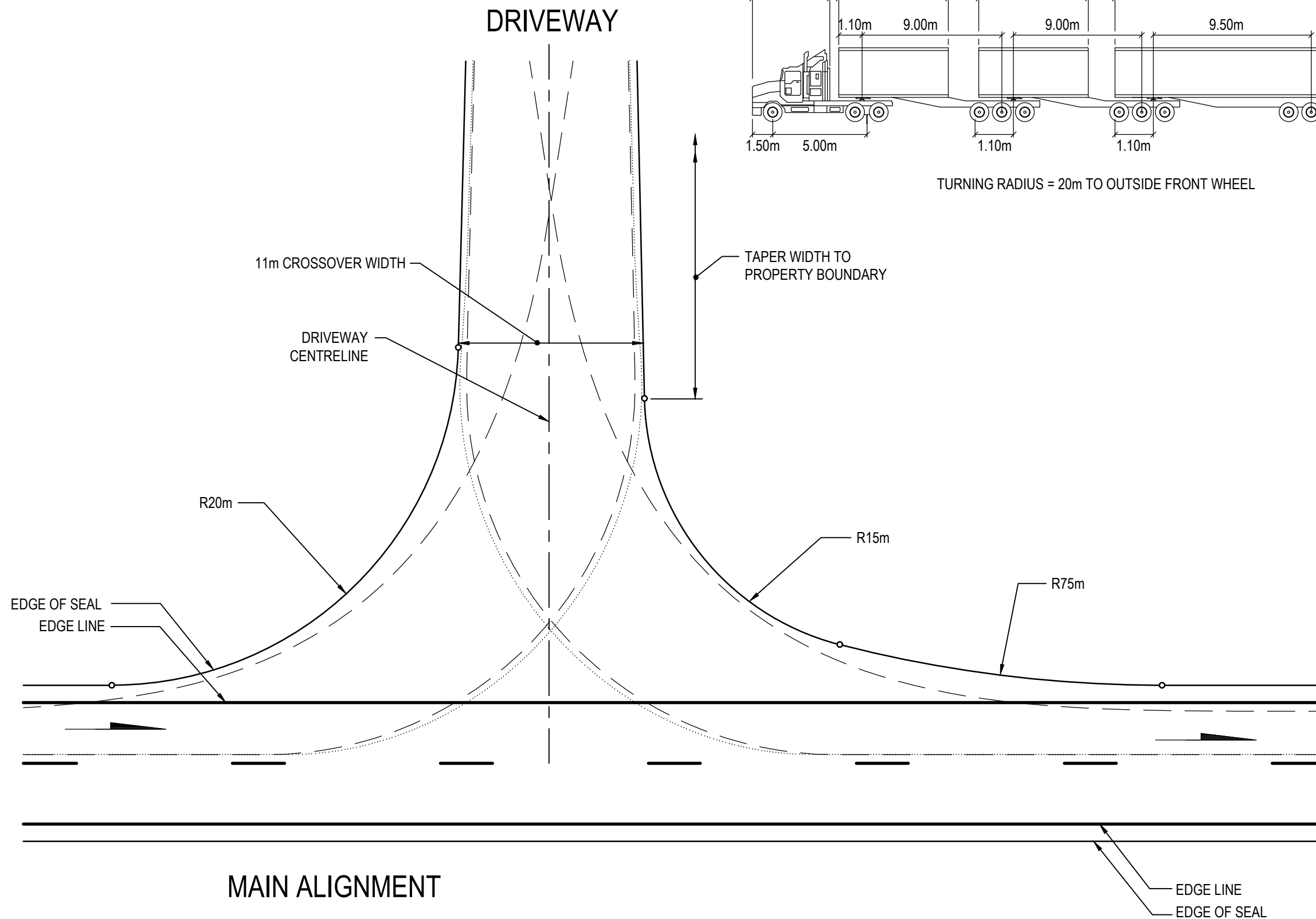


**DESIGN VEHICLE - DOUBLE ROAD TRAIN - MRWA RAV 6(B)**

N.T.S.



TURNING RADIUS = 20m TO OUTSIDE FRONT WHEEL



MAIN ALIGNMENT

**RURAL DRIVEWAY SETOUT  
DOUBLE ROAD TRAIN**

SCALE 1:250

**AMENDMENTS**

No.	DESCRIPTION	APPROVED & DATE
1	TITLE AMENDED TO GUIDELINE DRAWING.	T.F 09.05.06
2	NOTES, TURNING RADIUS, DESIGN VEHICLE & LAYOUT AMENDED. TITLE BLOCK UPDATED. DRIVEWAY CENTRELINE ADDED, SEALED SHOULDERS REMOVED.	C.M. 18/11/22
3	TITLE BLOCK AND FILE No. UPDATED.	C. MAGRIPLIS 22/8/23

**NOTES**

- CROSSOVER SHOWN AS 11.0m WIDE SEAL.
- FOR ADDITIONAL RURAL DRIVEWAY DETAILS REFER TO DRAWING 9831-6281.
- SEAL RADIUS MAY VARY TO SUIT DRIVEWAY ALIGNMENT.

**LEGEND**

- OUTSIDE FRONT SWEEP PATH
- - - - INSIDE REAR WHEEL PATH
- ..... PATH OF OVERHANG

3



PLANNING AND TECHNICAL SERVICES DIRECTORATE  
ROAD AND TRAFFIC ENGINEERING BRANCH  
Waterloo Crescent EAST PERTH 6004  
Telephone 138 138

DRAWN	E. FINDLATER
DESIGNED	B. SNOOK
VERIFIED	T. FREEMAN 06/05/05
APPROVED	R. GROVE 06/05/05
FILE NO.	13/4331

GUIDELINE DRAWING  
DRIVEWAY SETOUT DETAILS  
RURAL DRIVEWAY SETOUT  
DOUBLE ROAD TRAIN

MRWA DRAWING NUMBER AMENDMENT

200431-0196-3

SCALES 1:250 A 3