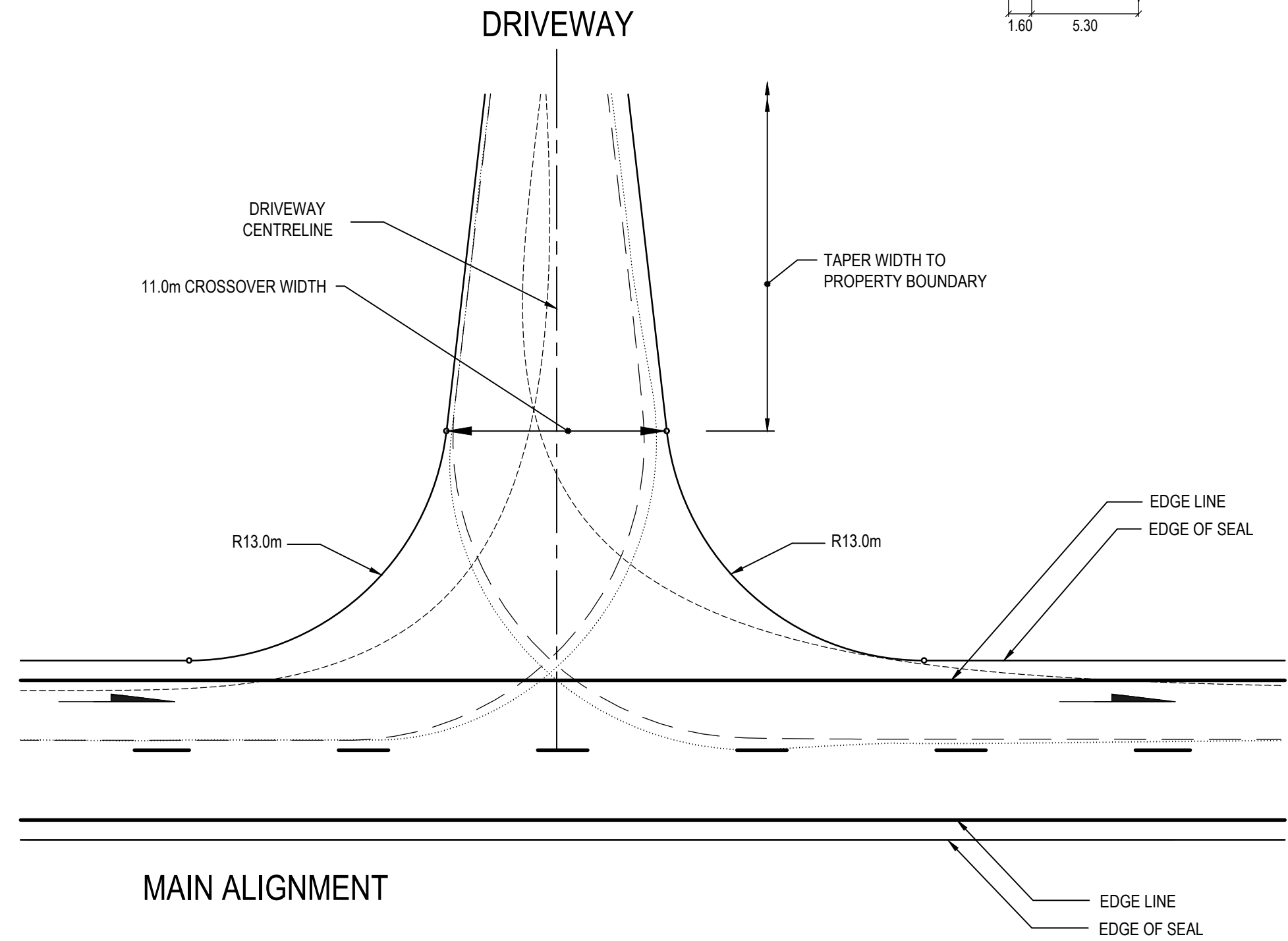
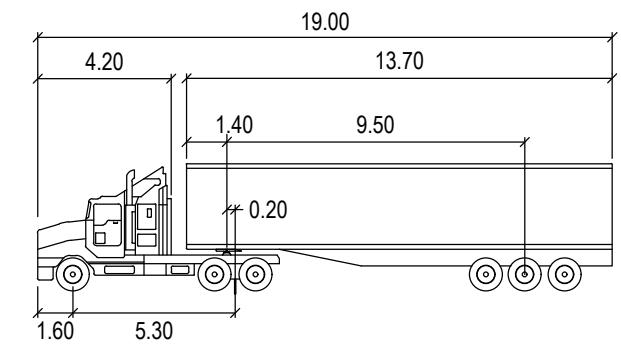


AMENDMENTS		
No.	DESCRIPTION	APPROVED & DATE
1	TITLE AMENDED TO GUIDELINE DRAWING.	T.F 09.05.06
2	NOTES, TURNING RADIUS, DESIGN VEHICLE & LAYOUT AMENDED. TITLE BLOCK UPDATED. DRIVEWAY CENTRELINE ADDED, SEALED SHOULDERS REMOVED.	C.M. 18/11/22
3	TITLE BLOCK AND FILE No. UPDATED.	C. MAGRIPLIS 22/8/23

DESIGN VEHICLE - SEMI TRAILER
N.T.S.
TURNING RADIUS = 15m TO OUTSIDE FRONT WHEEL.



- NOTES**
- CROSSOVER SHOWN AS 11.0m WIDE SEAL.
 - FOR ADDITIONAL RURAL DRIVEWAY DETAILS REFER TO DRAWING 9831-6281.
 - SEAL RADIUS MAY VARY TO SUIT DRIVEWAY ALIGNMENT.

LEGEND

	OUTSIDE FRONT SWEPT PATH
	INSIDE REAR WHEEL PATH
	PATH OF OVERHANG

PLANNING AND TECHNICAL SERVICES DIRECTORATE ROAD AND TRAFFIC ENGINEERING BRANCH Waterloo Crescent EAST PERTH 6004 Telephone 138 138	
DRAWN	E. FINDLATER
DESIGNED	B. SNOOK
VERIFIED	T. FREEMAN 06/05/05
APPROVED	R. GROVE 06/05/05
FILE NO.	13/4331

GUIDELINE DRAWING
DRIVEWAY SETOUT DETAILS
RURAL DRIVEWAY SETOUT
SEMI-TRAILER

MRWA DRAWING NUMBER AMENDMENT

200431-0194-3

RURAL DRIVEWAY SETOUT
SEMI-TRAILER
SCALE 1:250