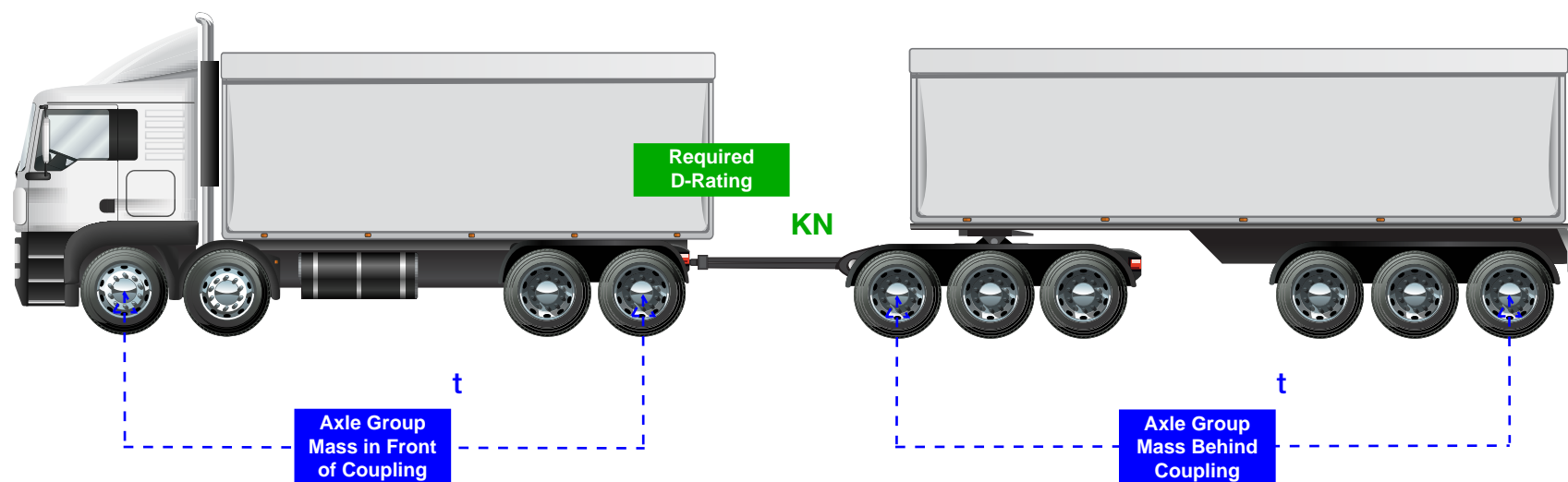


# DOLLY DRAWBAR COUPLING D-RATING CALCULATOR (AS 2213.1:2022)

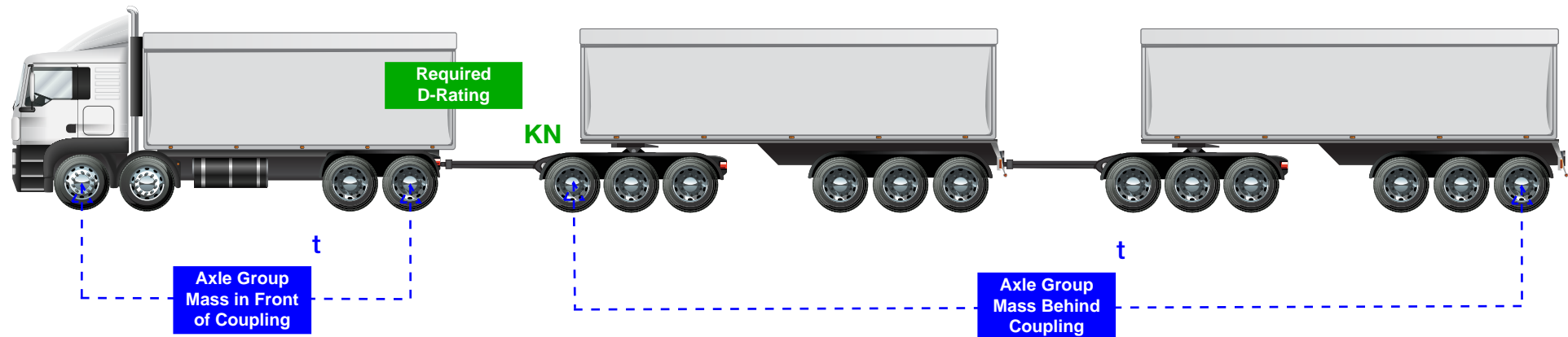
## RIGID TRUCK & DOG TRAILER

(See next page for Rigid & Two Dog Trailers)



# DOLLY DRAWBAR COUPLING D-RATING CALCULATOR (AS 2213.1:2022)

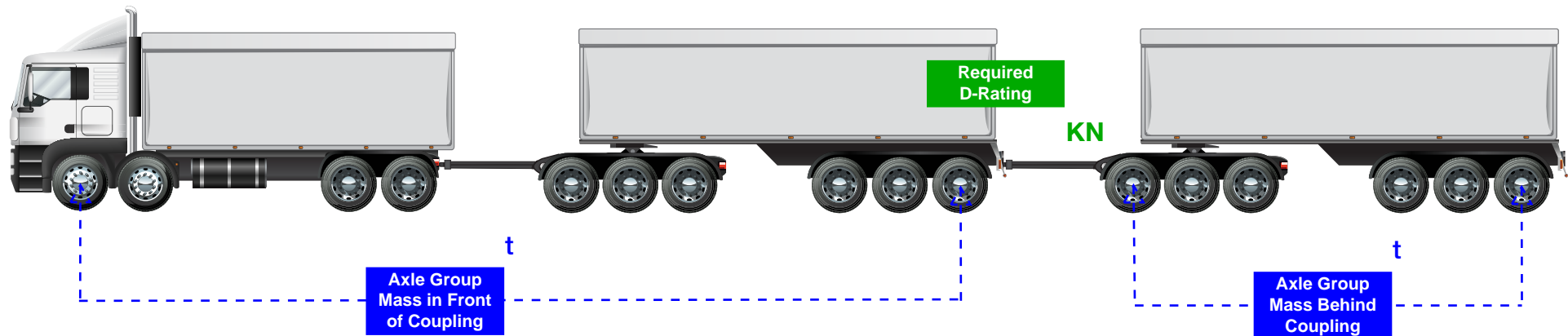
## RIGID TRUCK & 2 DOG TRAILERS (See next page for 2nd Drawbar)



# DOLLY DRAWBAR COUPLING D-RATING CALCULATOR (AS 2213.1:2022)

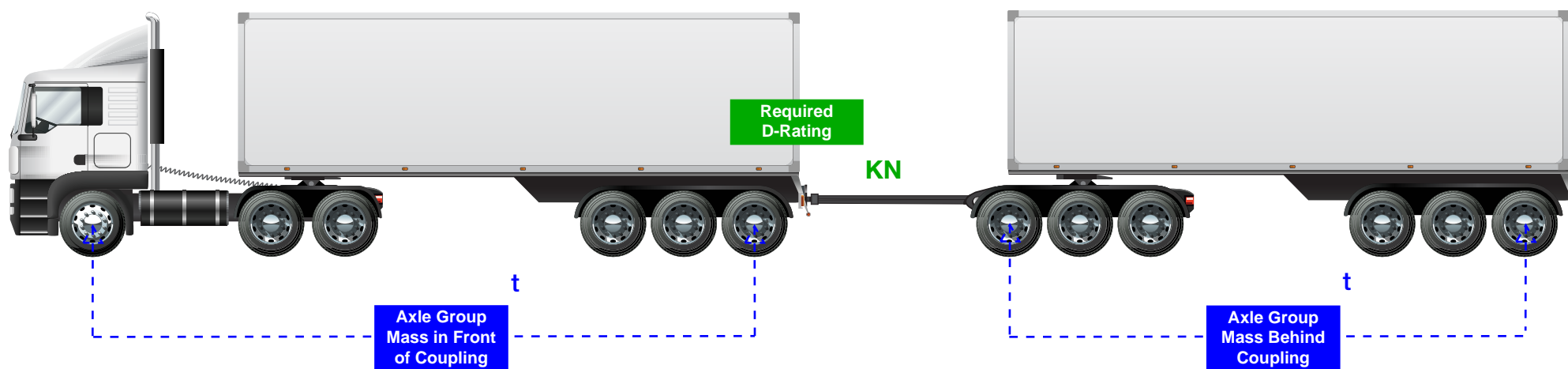
## RIGID TRUCK & 2 DOG TRAILERS

(See next page for Road Train)



# DOLLY DRAWBAR COUPLING D-RATING CALCULATOR (AS 2213.1:2022)

## ROAD TRAIN WITH 1 DOG TRAILER (See next page for 2 or more Dog Trailers)

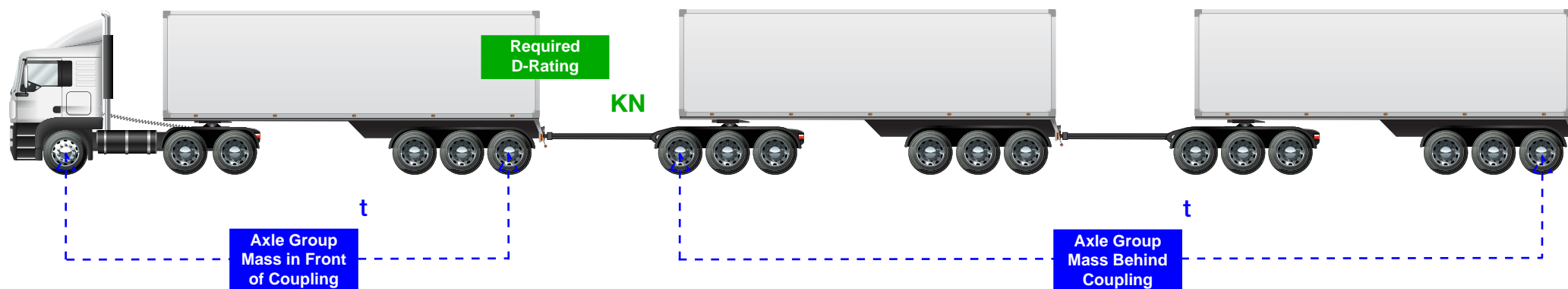


# DOLLY DRAWBAR COUPLING D-RATING CALCULATOR (AS 2213.1:2022)

## ROAD TRAIN WITH 2 DOG TRAILERS

(See next page for 2nd Drawbar)

(Applies to a road train with 2 or more dog trailers)



# DOLLY DRAWBAR COUPLING D-RATING CALCULATOR (AS 2213.1:2022)

## ROAD TRAIN WITH 2 DOG TRAILERS

(Applies to a road train with 2 or more dog trailers)

