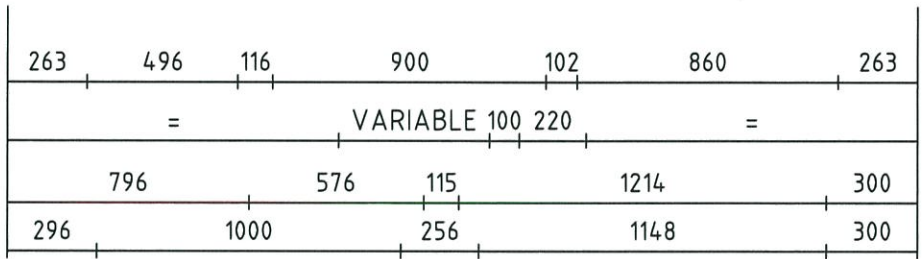
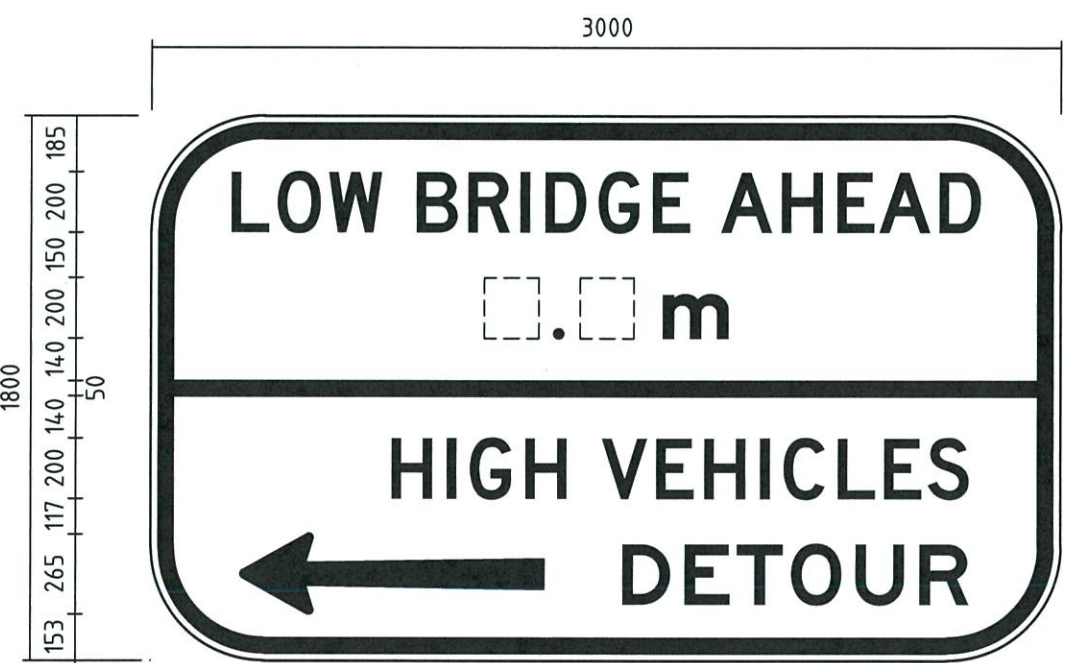
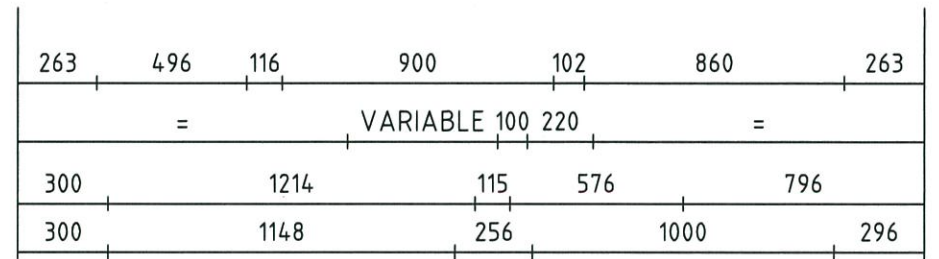
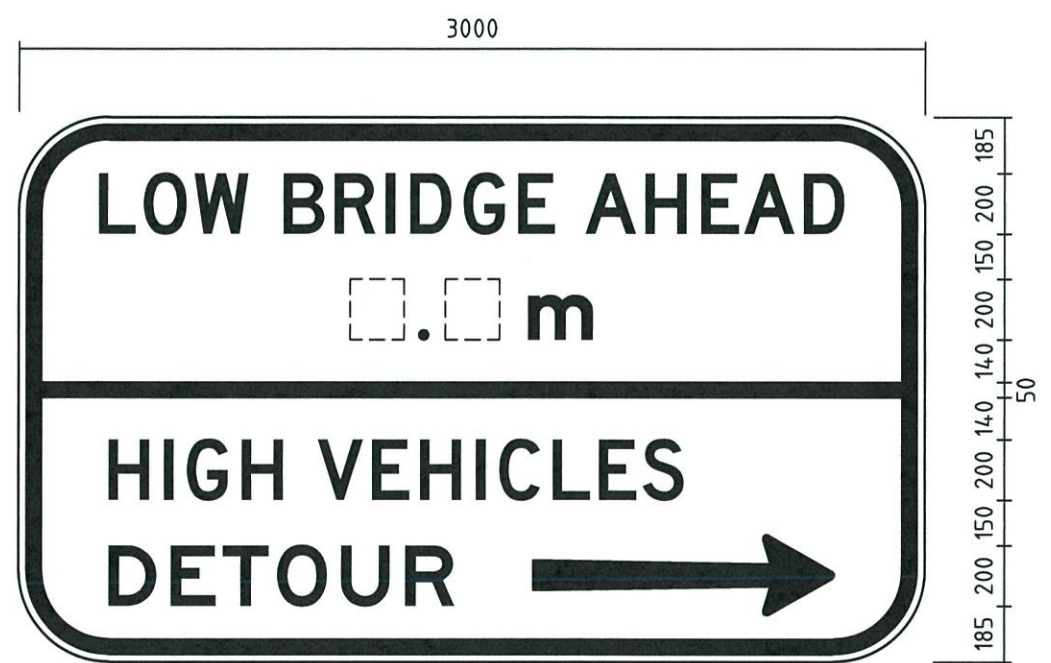


AMENDMENTS		
No.	DESCRIPTION	APPROVED & DATE
1	TITLE AMENDED	23.05.00
2	AMENDMENTS TO TITLE BLOCK, CORNER RADIUS, EDGE STRIP, NOTES, BORDER, MR-RT-1(R) ADDED.	R.GROVE 26.02.02
3	RETROREFLECTIVE CLASS SPECIFIED, TITLE BLOCK UPDATED.	B.CHAREHJUD 17.4.09
4	RETROREFLECTIVE CLASS & TEXT STYLE CHANGED, NOTE 6 ADDED.	<i>Khazal</i> 15/10/13

NOTES



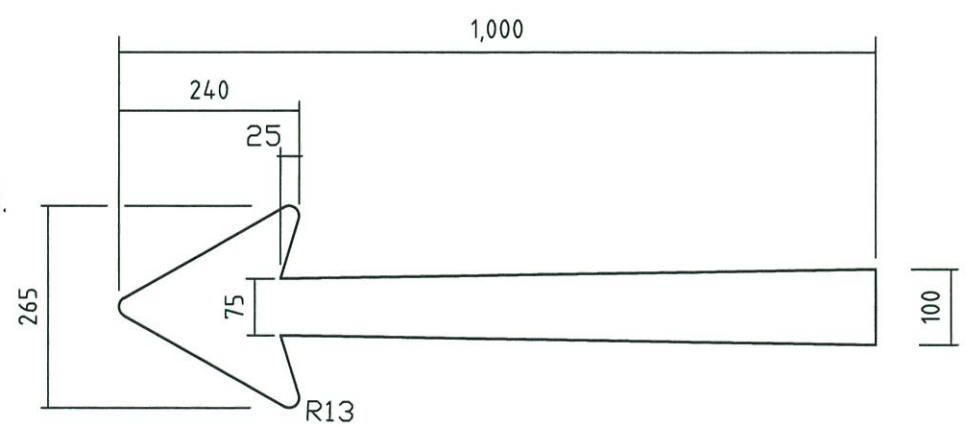
MR-RT-1(L)



MR-RT-1(R)

NOTES:

- DIMENSIONS: MEASUREMENTS IN mm. CORNER RADIUS = 300. BORDER = 50. EDGE STRIP = 25. MAIN SIGN PANEL AREA = 5.4 SQM.
- COLOURS: BLACK LEGEND, NUMBERS, ARROWS AND BORDER ON WHITE RETROREFLECTIVE BACKGROUND.
- RETROREFLECTIVE CLASS OF MATERIAL: CLASS 400.
- GRAFFITI PROTECTION: TO BE SPECIFIED BY THE DESIGNER IN ACCORDANCE WITH MAIN ROADS GUIDELINES.
- MATERIALS : ALL SIGN MATERIALS AND MANUFACTURE TO BE IN ACCORDANCE WITH MAIN ROADS SPECIFICATION 601.
- TEXT FONTS COMPLY WITH FHWA 2000 SERIES.



ARROW DETAIL
SCALE 1:10

Government of Western Australia
mainroads
TECHNOLOGY AND ENVIRONMENT
ROAD AND TRAFFIC ENGINEERING
WATERLOO CRESCENT EAST PERTH 6004
Telephone (08) 9323 4111 Fax (08) 9323 4449

FILE NUMBER	67-08-4F
DESIGNED / DRAWN	C. WOOLDRIDGE 6.10.93
VERIFIED	T. HAZEBROEK 6.10.93
APPROVED	P. MOSES 6.10.93

REGULATORY SIGN
TEMPORARY SERIES
LOW BRIDGE AHEAD
MR-RT-1

LOCAL AUTHORITY	DRAWING NUMBER	AMEND
6018	9320-0374-4	

SCALE 1:25
MICROFILM DATE A 3