

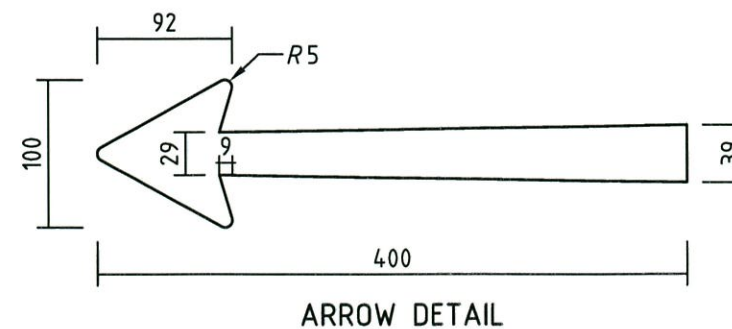
MRWA No.	MR-RA-24A	MR-RA-24B	MR-RA-24C
SIZE	600 x 400	750 x 500 (Illustrated)	900 x 600
EDGE STRIP	8	10	12
BORDER WIDTH	16	20	24
CORNER RADIUS	40	50	60



LEFT HAND VERSION SHOWN

NOTES:

1. DIMENSIONS: MEASUREMENTS IN mm. ALTERNATIVE SIZES ARE IN EXACT PROPORTION IN ALL RESPECTS TO THE SIGN ILLUSTRATED.
2. COLOURS: BLACK LEGEND, ARROW & BORDER ON WHITE RETROREFLECTIVE BACKGROUND.
3. RETROREFLECTIVE CLASS MATERIAL: CLASS 400.
4. GRAFFITI PROTECTION: AT THE DISCRETION OF THE REGIONAL MANAGER.
5. MATERIALS: ALL SIGN MATERIALS AND MANUFACTURE TO BE IN ACCORDANCE WITH MAIN ROADS SPECIFICATION 601.
6. SIGN TO USED IN CONJUNCTION WITH R6-3 (BRIDGE LOAD LIMIT) SIGN.
7. TEXT FONTS COMPLY WITH FHWA 2000 SERIES.



ARROW DETAIL

AMENDMENTS

No.	DESCRIPTION	APPROVED & DATE
1	RETROREFLECTIVE CLASS & TEXT STYLE CHANGED, NOTE 7 ADDED.	<i>[Signature]</i> 31/01/22

NOTES




 PLANNING AND TECHNICAL SERVICES
 ROAD AND TRAFFIC ENGINEERING
 WATERLOO CRESCENT EAST PERTH 6004
 Telephone (08) 9323 4111 Fax (08) 9323 4449

FILE NUMBER	67-08-4F
DESIGNED / DRAWN	D.LANDMARK / J.VOKE 22.11.13
VERIFIED	D. LANDMARK 22.11.13
APPROVED	R. GROVE 22.11.13

REGULATORY SIGN
 AUXILIARY SERIES
 ON SIDE ROAD
 MR-RA-24

LOCAL AUTHORITY	AMENDMENT
DRAWING NUMBER	201331-0052-1

SCALE 1:5 0 25mm 50 75 100 125 150 175 200 225 250 275 300 325 350 375

MICROFILM DATE A 3