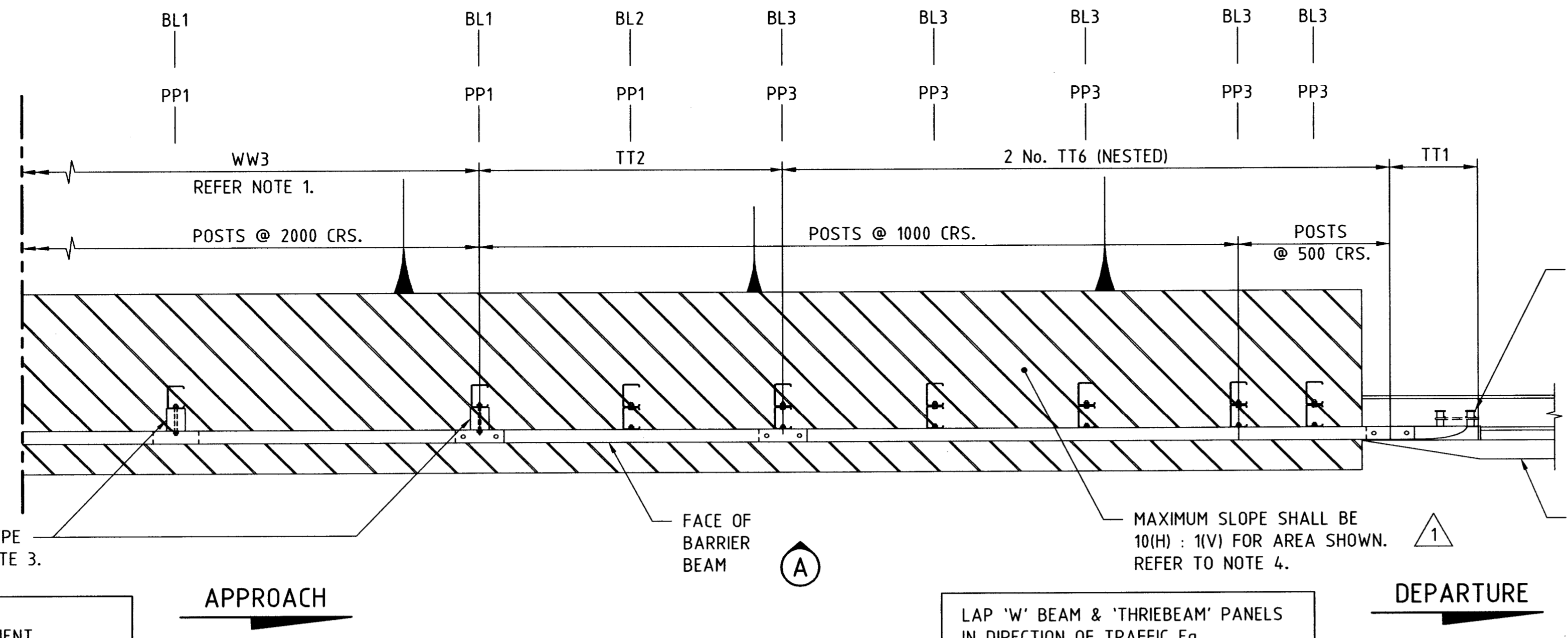


BLOCKOUT TYPE  
POST TYPE  
BEAM TYPE  
POST CENTRES



'THRIEBEAM' CAST-IN ANCHOR  
REFER DRG. N° 200331-019.

TYPE 'F' OR CONSTANT SLOPE  
CONCRETE BARRIER  
REFER DRG. N° 200331-023.

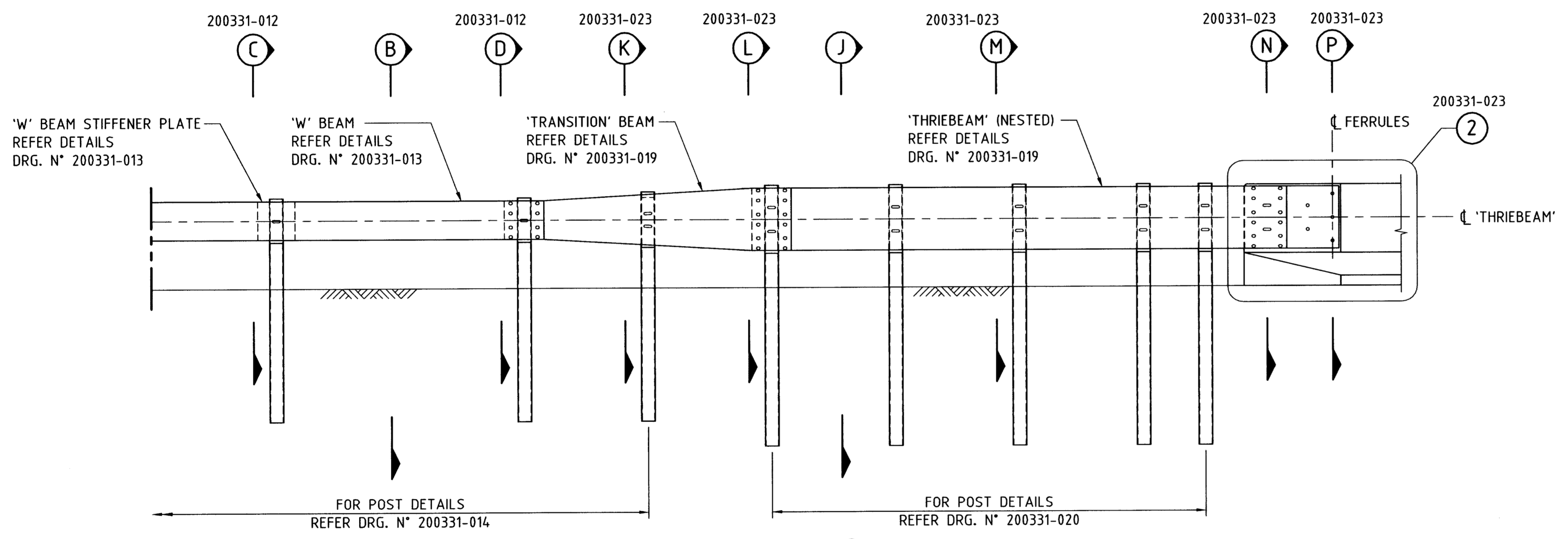
NOTE:  
FOR DETAILS OF END TREATMENT  
REFER TO ANNEXURE 603B TO SPEC. 603.

APPROACH

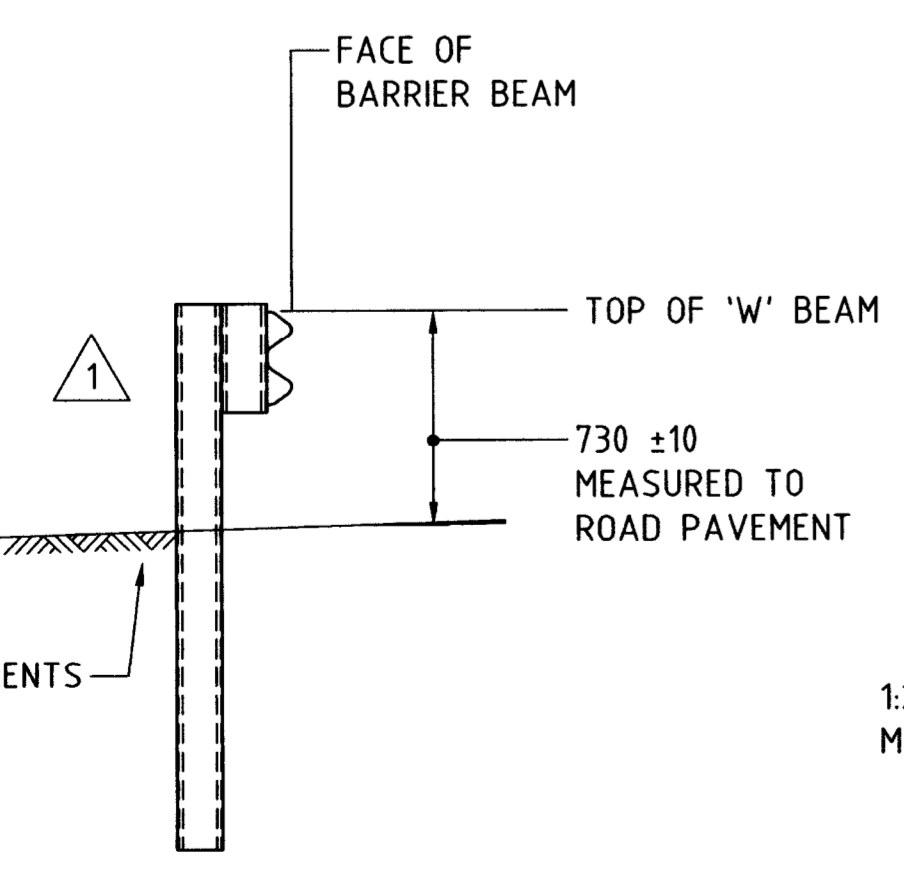
DEPARTURE

LAP 'W' BEAM & 'THRIEBEAM' PANELS  
IN DIRECTION OF TRAFFIC Eg.

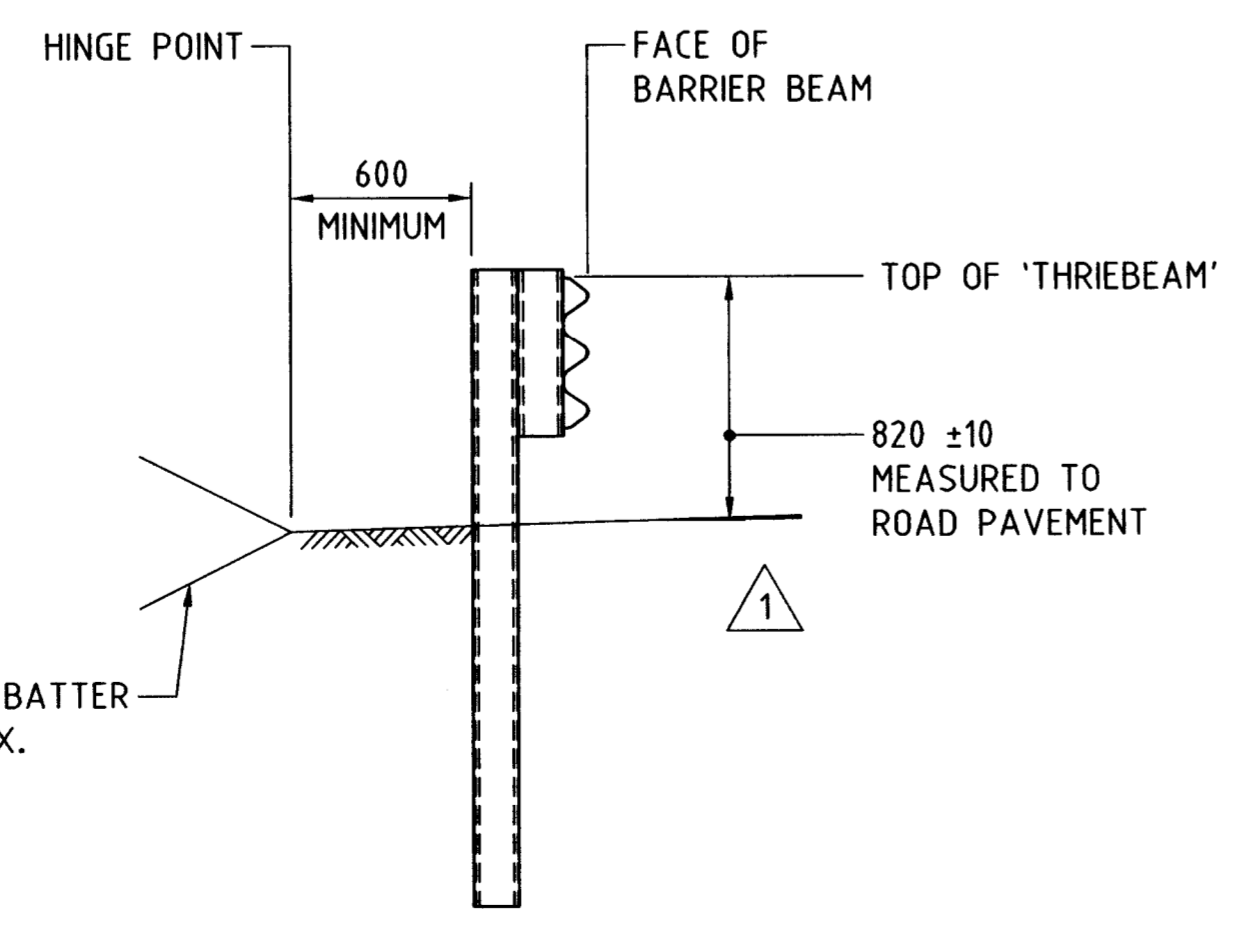
PLAN  
1:25



ELEVATION (A)  
1:25



SECTION (B)  
1:25



SECTION (J)  
1:25

HINGE POINT REQUIREMENTS  
REFER TO NOTE 4.

AMENDMENTS		
No.	DESCRIPTION	APPROVED & DATE
1.	HEIGHT OF 'W'-BEAM AND 'THRIEBEAM' RAISED. REFERENCE POINT CHANGED AND SOLID BLOCKOUTS REQUIRED FOR NEW INSTALLATIONS FOR 'W' BEAM. NOTE 4. ADDED ON POST LENGTH REQUIREMENTS.	<i>R. Grove</i> 14/10/03

NOTES

- 'W' BEAM TYPE 'WW3' MAY BE SUBSTITUTED BY EITHER TYPES 'WW1' OR 'WW2'. STIFFENER PLATES ARE NOT REQUIRED FOR TYPES 'WW1' OR 'WW2'. POST CENTRES FOR TYPE 'WW1' NEED TO BE ADJUSTED TO 1000. FOR BEAM DETAILS REFER DRG. N° 200331-013.
- ALL DIMENSIONS IN MILLIMETERS UNLESS OTHERWISE SHOWN.
- FOR NEW INSTALLATIONS BLOCKOUT TO BE APPROVED SOLID BLOCKOUT REFER TO MRWA SPECIFICATION 603 ANNEXURE 603D. FOR MAINTAINING EXISTING SYSTEMS USE BLOCKOUT TYPE BL1 REFER DETAILS DRG. N° 200331-014.
- HINGE POINT AND SHADED AREA REQUIREMENT IS DEPENDENT ON POST LENGTH. REFER TO DWGS. No. 200331-010 AND 200931-0002 FOR DETAILS.

THIS DRAWING SHALL BE READ IN CONJUNCTION WITH:

DRG. N°	TITLE
200331-010	GENERAL ARRANGEMENT 'W' BEAM
200331-012	'W' BEAM - ASSEMBLY DETAILS
200331-013	'W' BEAM - FABRICATION DETAILS
200331-014	'W' BEAM - STEEL POST & BLOCKOUT FABRICATION DETAILS
200331-016	BOLT, NUT & WASHER FABRICATION DETAILS
200331-018	'THRIEBEAM' & MODIFIED 'THRIEBEAM' ASSEMBLY DETAILS
200331-019	'THRIEBEAM' - FABRICATION DETAILS
200331-020	'THRIEBEAM' - STEEL POST & BLOCKOUT FABRICATION DETAILS
200331-023	CONCRETE BARRIER ASSEMBLY DETAILS
200931-0002	GENERAL ARRANGEMENT 'W' BEAM INSTALLED AT HINGE POINT

NOTE:  
DRAWING SHALL BE READ IN CONJUNCTION WITH  
TECHNICAL SPECIFICATION  
603 ROAD SAFETY BARRIERS.

METADATA

GROUND SURVEY STANDARD:  
DATE OF CAPTURE:  
MAPPING SURVEY STANDARD:  
DATE OF CAPTURE:  
MAIN ROADS PROJECT ZONE:  
HEIGHT DATUM:

Government of Western Australia  
**MAIN ROADS**  
Western Australia  
TECHNOLOGY & ENVIRONMENTAL DIRECTORATE  
ROAD & TRAFFIC ENGINEERING BRANCH  
Waterloo Crescent East Perth 6004  
Telephone (08) 9323 4111 Fax (08) 9323 4430

FILE NUMBER	67-08-111
DESIGNED / DRAWN	G. W. HUNTER JUNE 2003
VERIFIED	J. KARPINSKI 06/10/03
APPROVED	R. GROVE 09/10/03

SAFETY BARRIER STANDARD DRAWINGS

GENERAL ARRANGEMENT  
'W' BEAM TO CONCRETE BARRIER CONNECTION

LOCAL AUTHORITY	DRAWING NUMBER	AMEND.
99	200331-021-1	

SCALE  
1:25

MICROPLUM DATE

A 1