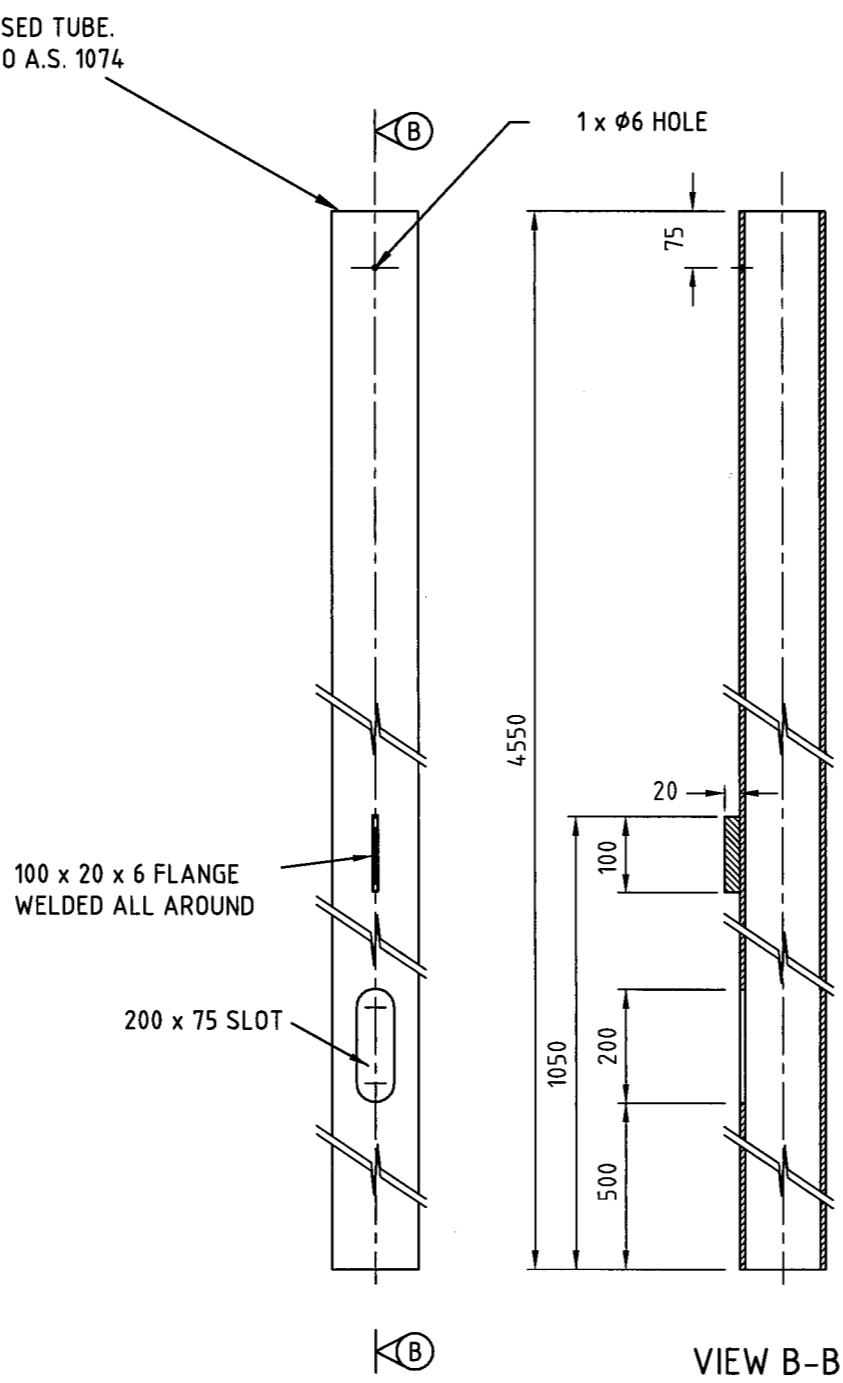
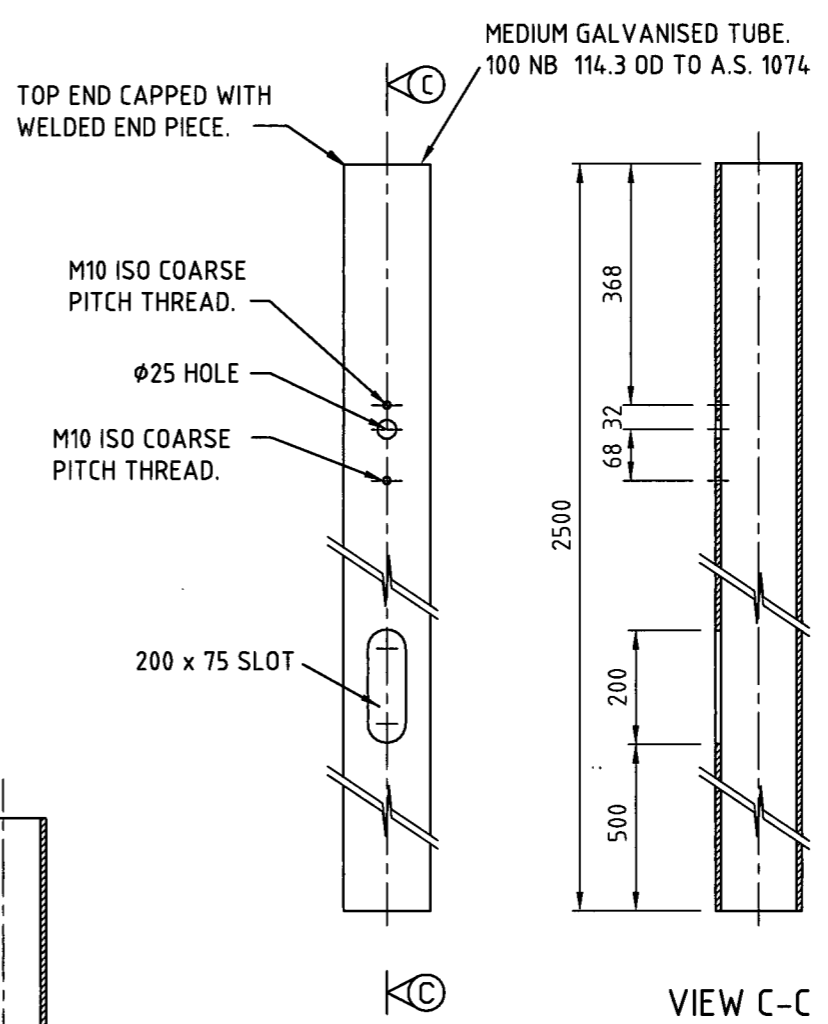


SIGNAL POST WITH PUSH BUTTON  
TYPE 1



SIGNAL POST WITHOUT PUSH BUTTON  
TYPE 2





STUB POST WITH PUSH BUTTON  
TYPE 3

MEDIUM GALVANISED TUBE.  
100 NB 114.3 OD TO A.S. 1074

MEDIUM GALVANISED TUBE.  
100 NB 114.3 OD TO A.S. 1074

AMENDMENTS		
No.	DESCRIPTION	APPROVED & DATE
1	SLOT SIZE INCREASED FROM 150x70 TO 200x75.	<i>Knave</i> 26/8/14
2	TITLE BLOCK STANDARDISED.	

NOTES


  
 PLANNING AND TECHNICAL SERVICES  
 ROAD AND TRAFFIC ENGINEERING  
 WATERLOO CRESCENT EAST PERTH 6004  
 Telephone (08) 9323 4111 Fax (08) 9323 4449

FILE NUMBER	09/4782	
DESIGNED / DRAWN	J. POELRA	12/97
VERIFIED	<i>Smaydon</i>	26/08/2014
APPROVED	<i>Knave</i>	26/8/14

STANDARD DRAWING  
TRAFFIC SIGNAL POST  
TYPE 1, 2 & 3

LOCAL AUTHORITY  
DRAWING NUMBER  
9748-1098-2

SCALE  
N.T.S.

ISSUE DATE  
A3