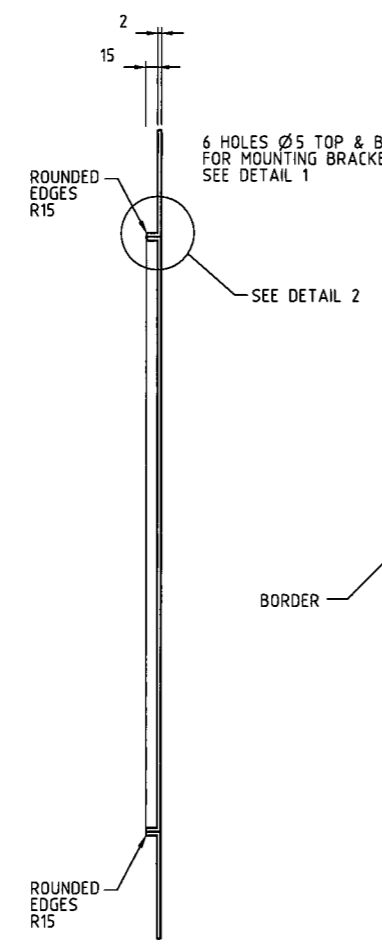
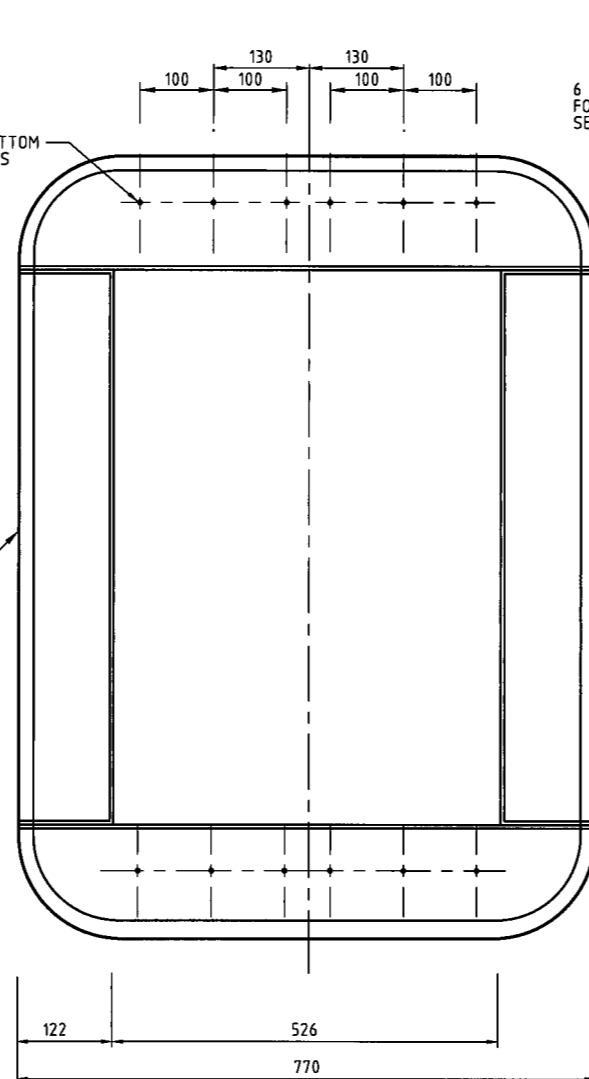


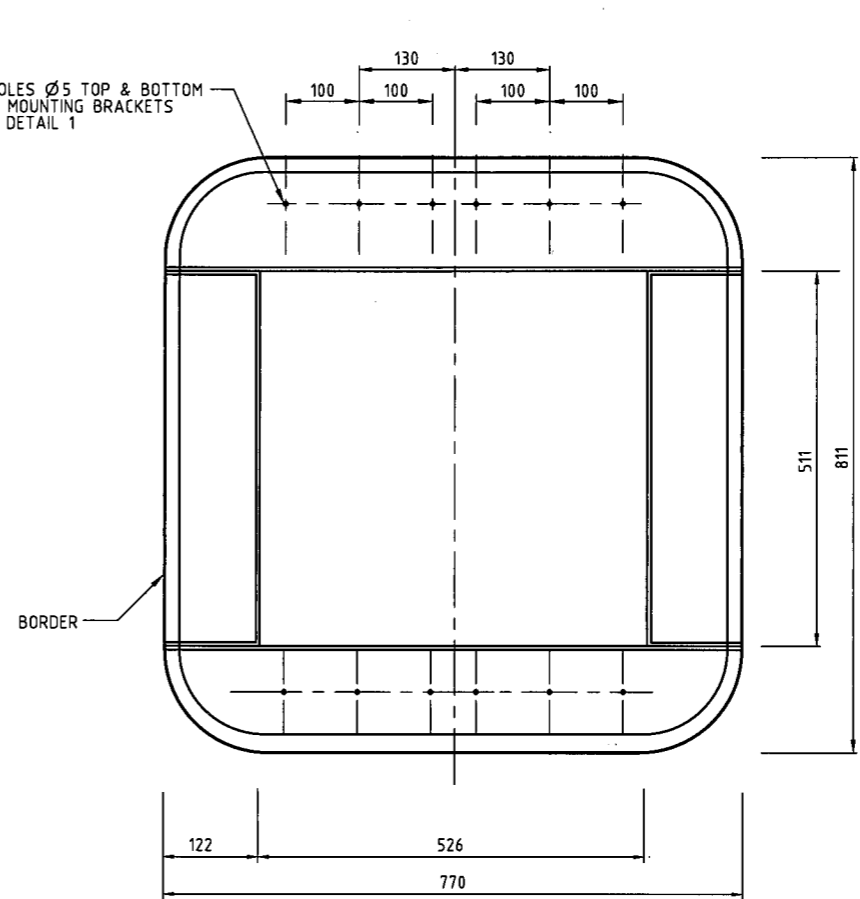
**ELEVATION
SINGLE COLUMN**
SCALE - 1:10



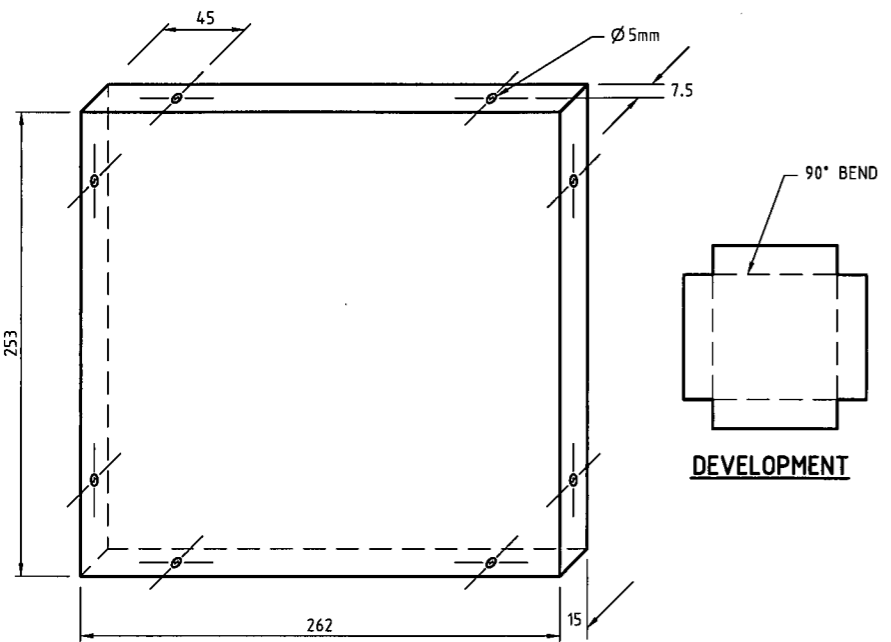
3 HOLES Ø5 TOP & BOTTOM
FOR MOUNTING BRACKET
SEE DETAIL 1



**ELEVATION
DOUBLE COLUMN**
SCALE - 1:10

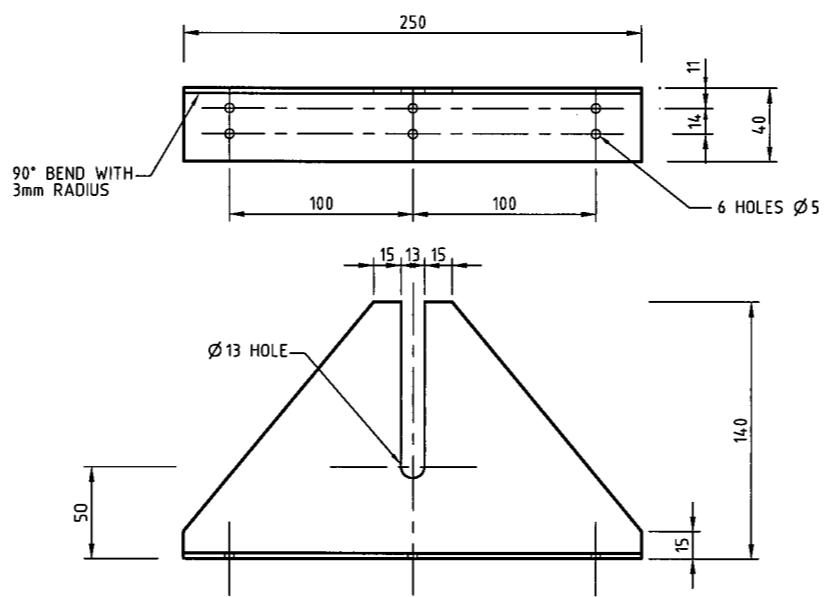


**ELEVATION
FLASHING YELLOW**
SCALE - 1:10

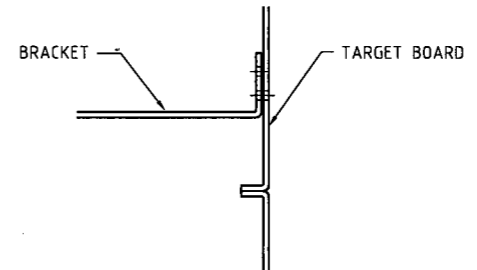


BLANKING PLATE

DEVELOPMENT



DETAIL ①
MOUNTING BRACKET SCALE - 1:4



ALDRIDGE ELECT./ATS/EAGLE
SCALE 1 : 4

DETAIL ②
MOUNTING BRACKET ORIENTATION

AMENDMENTS		
No.	DESCRIPTION	APPROVED DATE
1	TITLE BLOCK UPDATED, TITLE CHANGED.	<i>SM</i> 6/10/14

- NOTES**
- MATERIAL:** TARGET BOARDS AND MOUNTING BRACKETS SHALL BE MADE FROM 2mm THICK ALUMINIUM. BLANKING PLATES SHALL BE MADE FROM 1.5mm THICK ALUMINIUM. THE ALUMINIUM SHALL BE OF GRADE 5005 H34, MATT FACE AND SHALL BE FROM MILL CUT SHEETS AND NOT COILS.
 - FINISH:** ALL ITEMS SHALL BE POWDER COATED USING THE CHROMATE CONVERSION PROCESS AS FOLLOWS:
 - ACID DIP TO REMOVE OILS ETC
 - ACID RINSE
 - CHROMATE ETCH DIP
 - DRY
 - 100% COVER WITH TAUBMANS CUSTOM BLACK L/S POLYESTER JN266A POWDER COAT
 - BAKE TO PAINT MANUFACTURER'S SPECIFICATIONS THE MINIMUM COATING THICKNESS SHALL BE 60 MICRONS.
 - BORDER:** EACH TARGET BOARD SHALL HAVE A 20mm WHITE BORDER FRONT AND BACK.
 - FOR PAINTED BORDER USE WATTYL EUROCRYL 121 COLOUR, PALAIS WHITE 30521, GMH 77/78, APPLIED ON ETCHED AND SCORED (ABRASIVE NOT COARSER THAN 120 GRIT) SURFACE.
 - FOR STICK-ON BORDER USE SCOTCHCAL MARKING FILM 3650 OR EQUIVALENT APPLIED TO THE MANUFACTURER'S SPECIFICATION.
 - ASSEMBLY:** TARGET BOARDS SHALL BE ASSEMBLED WITH "ORMIT" U48100D POP RIVETS. WELD FABRICATION IS NOT ACCEPTABLE. MOUNTING BRACKET AND TARGET BOARDS TO BE SUPPLIED SEPARATELY AND NOT ASSEMBLED. ALL RIBBING EDGES MEETING THE BORDER SHALL BE ROUNDED WITH A RADIUS OF 15mm.

mainroads
 WESTERN AUSTRALIA
 PLANNING AND TECHNICAL SERVICES
 ROAD AND TRAFFIC ENGINEERING
 WATERLOO CRESCENT EAST PERTH 6004
 Telephone (08) 9323 4111 Fax (08) 9323 4449

FILE NUMBER	67-08-4F
DESIGNED / DRAWN	F. WINKLER / K. GREUDA
VERIFIED	<i>SM</i> 6/10/14
APPROVED	<i>SM</i> 6/10/14

STANDARD DRAWING
 TRAFFIC CONTROL SIGNALS
 TARGET BOARD FOR
 200mm LANTERN
 CONSTRUCTION DETAILS

LOCAL AUTHORITY
 DRAWING NUMBER
200431-0158-1

SCALE 1:4
 MICROFILM DATE
 A 3