

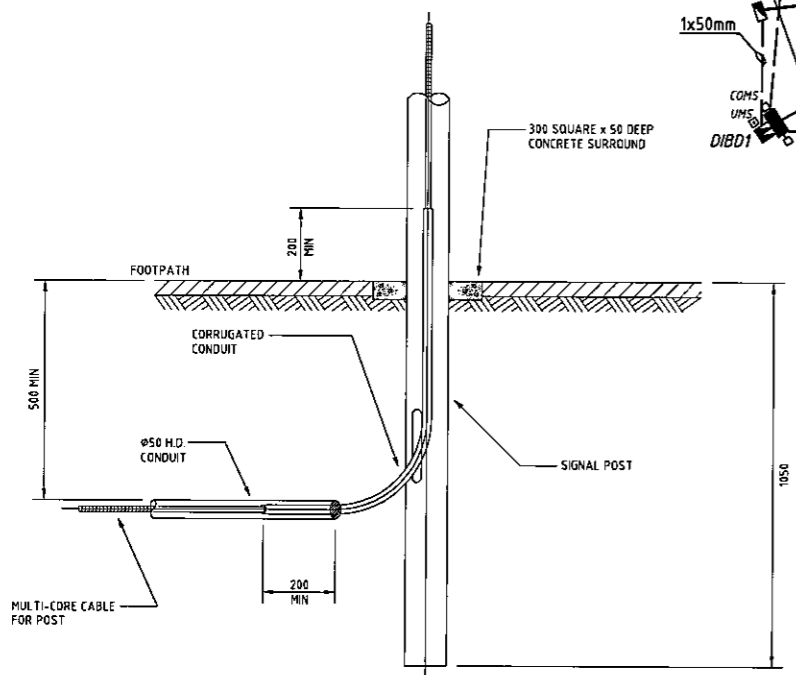
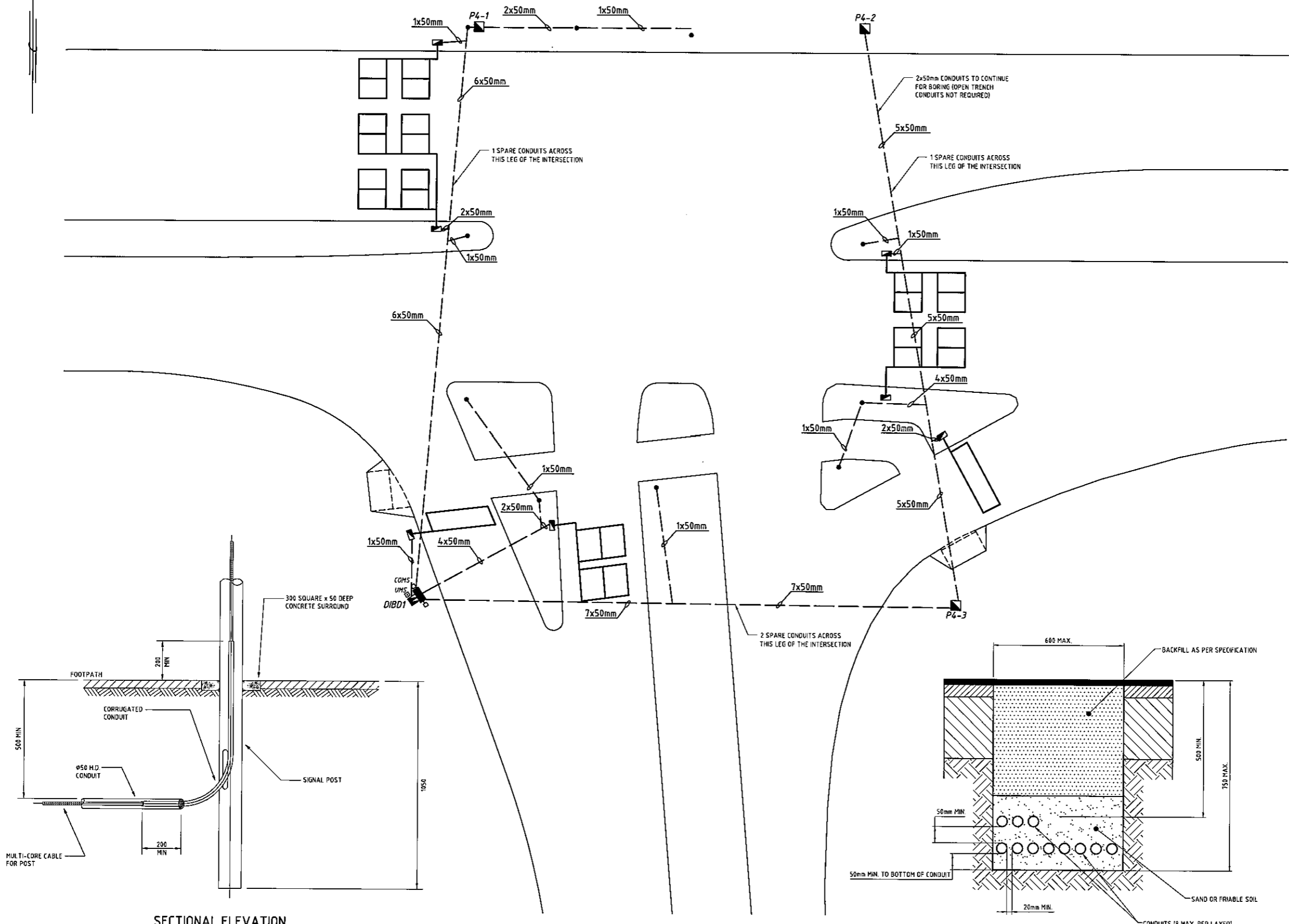
NOTE: ALL DRAWINGS ARE CONSIDERED UNCONTROLLED UNLESS STAMPED 'CONTROLLED COPY' IN RED

AMENDMENTS

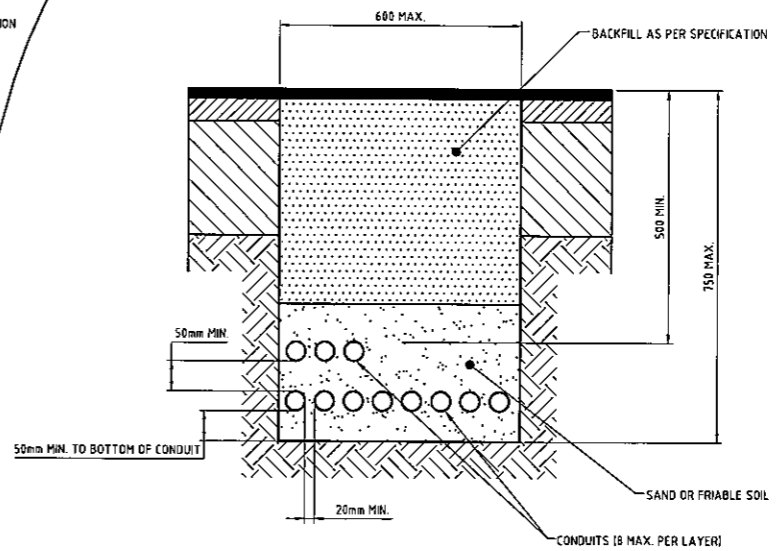
No.	DATE	DESCRIPTION	APPROVED

NOTES

1. ALL ROAD CROSSINGS ASSUMED TO BE INSTALLED BY DIRECTIONAL BORING UNLESS OTHERWISE APPROVED BY SUPERINTENDENT AND THEN AS PER TYPICAL ROAD SECTION (OPEN TRENCH).
2. STAR WIRING SYSTEM WITH 19 CORE POLE CABLES WIRED INDIVIDUALLY BACK TO CONTROLLER.
3. MAXIMUM 6 LOOP FEEDER CABLES IN A SINGLE 50mm CONDUIT.



SECTIONAL ELEVATION  
SIGNAL POST INSTALLATION DETAIL  
N.T.S.



TYPICAL ROAD SECTION (OPEN TRENCH)  
N.T.S.

CONTRACTOR / CONSULTANT JOINT VENTURE

**Downer Engineering** Downer Electrical Pty Ltd  
ACN 007 102 516  
 ABN 76 007 102 516

33 Newdale Road WELSHPOOL WA 6105 Telephone: (08) 9351 3300  
 PO Box 45 Welshpool Delivery Centre WA 6066 Fax: (08) 9351 9211

**GHD** 'GHD House', 239 Adelaide Terrace Perth WA 6004  
 PO Box Y3106 Perth WA 6832 Australia  
 T (08) 6222 8222 F (08) 6222 8555  
 E permail@ghd.com.au www.ghd.com.au

JOB NO 61-1068502	DRAWING PATH N:\61\1068502\CAD\0648-3003	DATE
DESIGNED/DRAWN R. ODDDS		19.04.2007
VERIFIED S. T. TAN		30.05.2007
APPROVED E. P. GEIDANS		30.05.2007

Government of Western Australia **MAIN ROADS** Western Australia

METROPOLITAN REGION  
 WATERLOO CRESCENT EAST PERTH 6004  
 Telephone (08) 9323 4111 Fax (08) 9323 4694

AUTHORISED	DATE
APPROVED	DATE

STAR WIRING SYSTEM  
STANDARD DRAWING  
TYPICAL 3 WAY ISLAND INTERSECTION CONDUIT LAYOUT

LOCAL AUTHORITY DRAWING NUMBER AMEND.  
 09:00 0648-3003

SCALE 1:125

MIDIUM DATE A 1