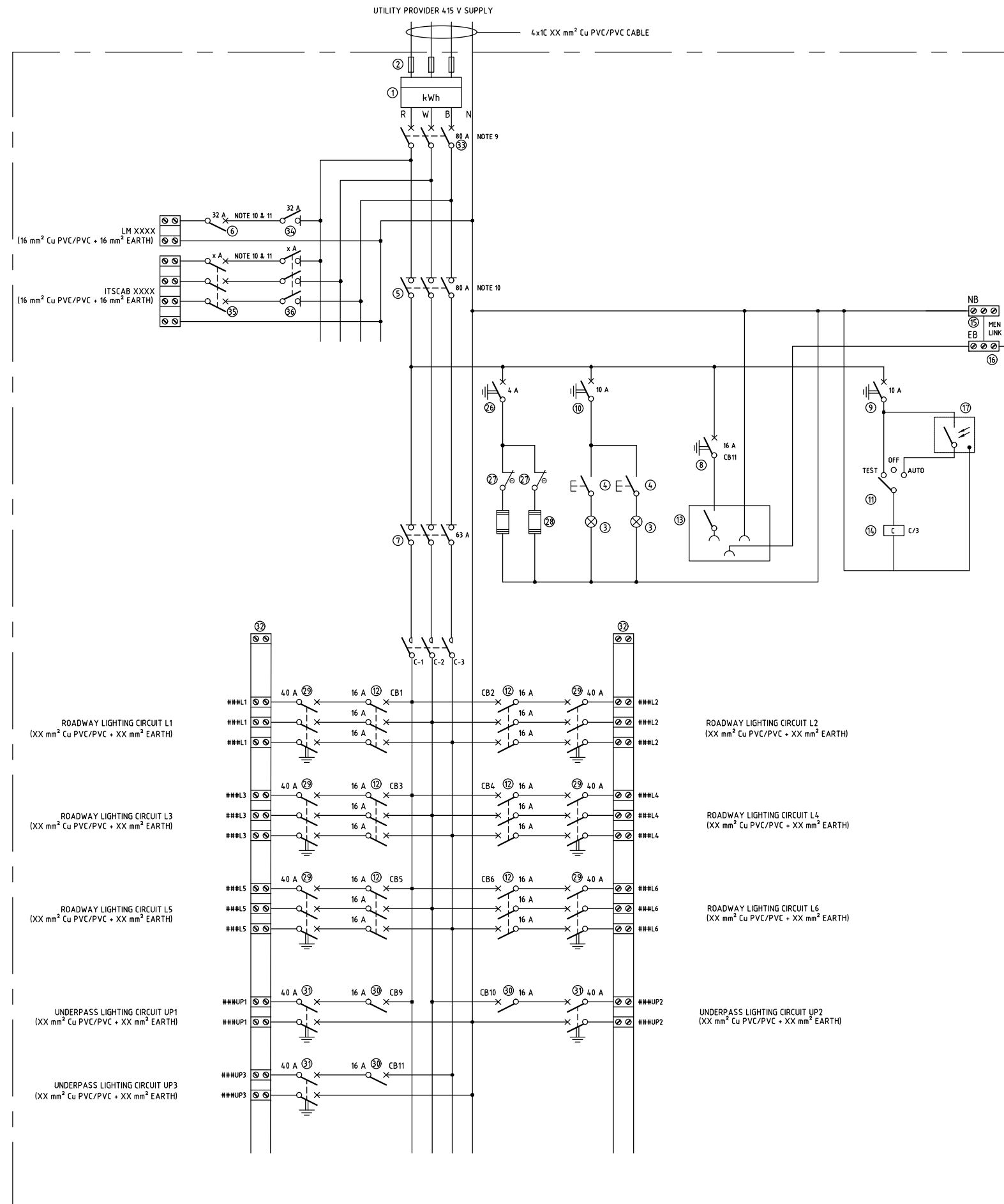


EQUIPMENT LIST			
ITEM	DESCRIPTION	SPECIFICATION	QTY
1	kWh METER R1	EMAIL METERING, AMPY5192B/EM : 3Ø 4 W, 240 V, 5-105 A	1
2	METER FUSES	ALSTOM, S71002ABWS : 500 V 100 A "gG" FUSE-LINK	3
3	CABINET LIGHT	THORN, AS450 : ARROWSLIM 15 W FLUORESCENT WITH DIFFUSER	2
4	DOOR UNIT SWITCH	SCHMERSAL, ZS 236-11Z : STRAIGHT PLUNGER	2
5	LIGHTING AND CABINET SWITCH	TERASAKI, DINTMS803 : 80 A, TRIPLE POLE	1
6	TRAFFIC SIGNAL CIRCUIT BREAKER	TERASAKI, DIN-T10132B : 32 A, 10 kA SINGLE POLE, TYPE B	1
7	LIGHTING CHASSIS MAIN SWITCH	TERASAKI, DINTMS633 : 63 A, TRIPLE POLE	1
8	SSO RESIDUAL CURRENT CIRCUIT BREAKER	TERASAKI, DSRCBH 1630 : 16 A, 10 kA, 30 mA	1
9	CONTROL RCBO	SPECIFIED BY PROJECT	1
10	PANEL LIGHT CIRCUIT BREAKER/RCD	TERASAKI, DSRCBH1030A : 10 A, 10 kA, 30 mA SINGLE POLE	1
11	CONTROL SWITCH	TERASAKI, DIN-TC0321 I-0-II : 32 A, 240 V, 'TEST-OFF-AUTO'	1
12	LIGHTING CIRCUIT BREAKERS	TERASAKI, DTCB10316B : 16 A, 10 kA TRIPLE POLE, TYPE B	6
13	SSO	CLIPSAL, 4SS015 10A SWITCHED SOCKET OUTLET	1
14	CONTACTOR	SPRECHER + SCHUH CA 7-60-00 : 30 kW, 77 A	1
15	NEUTRAL BAR	CLIPSAL, BP165D24 WITH CLIPSAL BP165F INSULATORS SIZED FOR CURRENT (25 mm ²) AND SUFFICIENT TERMINALS FOR ALL INDIVIDUAL INTERNAL AND EXTERNAL CIRCUITS WITH EACH CIRCUIT LABELLED, INCLUDING NON-POPULATED POLES	2
16	EARTH BAR	CLIPSAL, BP165D24	2
17	PHOTO ELECTRIC SWITCH	HPM, PE170/10 : WEATHERPROOF (SEE NOTE 8)	1
18	DOOR LOCK	LOCKWOOD, 303 DEADLOCK : COMBINED MAIN ROADS 247 E KEY & ELECTRICAL NETWORK OPERATORS NOMINATED MASTER METER KEY	2
19	LOCKING ARM	110° DOOR STAY	2
20	HANDLE	CHROME PLATED 76 mm "D" HANDLE	12
21	LOCATING PIN	CHROME PLATED 6 mm LOCATING PIN	24
22	ESCUTCHEON SCREW	CHROME PLATED CAPTIVE KNURLED HEAD SCREWS	24
23	HINGE	CHROME PLATED LARGE BLOCK TYPE	6
24	FIELD TERMINAL	SPRECHER + SCHUH V7-W165 : 16 mm ²	16
25	NOT IN USE	-	-
26	PANEL HEATER RCBO	SPECIFIED BY PROJECT	1
27	THERMOSTAT	DIN RAIL MOUNT THERMOSTAT, 250 VAC, N/C 6 A (RS No.:159-2099)	2
28	PANEL HEATER	ANTICONDENSATION HEATER, 250 VAC, 40 W	2
29	ROADWAY LIGHTING RCD	CLIPSAL, 4RC440S130 : 40 A, 30 mA FOUR POLE	6
30	UNDERPASS LIGHTING CBX	TERASAKI, DIN-T10116B : 16 A, 10 kA SINGLE POLE, TYPE B	3
31	UNDERPASS LIGHTING RCD	CLIPSAL, 4RC240S130 : 40 A, 30 mA TWO POLE	3
32	FIELD TERMINAL	SPRECHER + SCHUH V7-W35 : 35 mm ²	3
33	MAIN CIRCUIT BREAKER	SPECIFIED BY PROJECT	1
34	TRAFFIC SIGNAL ISOLATION SWITCH	SPECIFIED BY PROJECT	1
35	ITS CIRCUIT BREAKER	SPECIFIED AND SIZED BY PROJECT	1
36	ITS DEVICE ISOLATION SWITCH	SPECIFIED AND SIZED BY PROJECT	1
37	DOOR LOCK	LOCKWOOD, 303 DEADLOCK : MAIN ROADS 247 E KEY	2



AMENDMENTS		
No.	DESCRIPTION	APPROVED & DATE
1	UPDATED TO MEET WASIR 2021 CL 11.6.4.3 REQUIREMENTS.	S. HOWELLS - 17/08/23
2	ITEM 18 CHANGED, ITEM 37 ADDED.	S. HOWELLS - 8/09/23

- ### NOTES
- INTERNAL CABLE TO BE 2.5 mm² PVC/PVC Cu (MIN).
 - PANEL DOORS TO HAVE ADDITIONAL STIFFENERS TO ENSURE A POSITIVE FIT AGAINST THE DOOR SEAL.
 - HOT DIP GALVANISED TO AS/NZS 4680 AFTER FABRICATION.
 - FIELD TERMINALS TO BE FITTED WITH PERMANENT CIRCUIT LABELS.
 - LABELS SHALL BE WHITE-BLACK-WHITE "TRAFOLITE" WITH ENGRAVED BLACK LETTERS ON A WHITE BACKGROUND UNLESS NOTED OTHERWISE. LABELS SHALL BE 110x60 mm. MINIMUM SIZE OF LETTERS SHALL BE 3.5 mm UPPER CASE.
 - SUITABLE ALUMINIUM POP RIVETS SHALL BE USED TO FIX ALL LABELS. A MINIMUM OF TWO RIVETS PER LABEL SHALL BE USED.
 - DOOR SEAL TO BE SELF GRIPPING GASKET OF EPDM AS EMKA 1011-06 OR EQUIVALENT.
 - PE CELL TO BE MOUNTED ON SOUTH SIDE OF SWITCHBOARD WHERE POSSIBLE. PE CELL TO BE FIXED WITH TERMINALS BOTTOM MOST USING NUTSERTS. PANEL CUT-OUT TO BE NO GREATER THAN 50x69 mm.
 - MAIN CIRCUIT BREAKER SHALL BE COORDINATED WITH SPD AS PER WASIR 2021 CL 11.6.4.3. MAIN CIRCUIT BREAKER SHALL HAVE A WHITE TOGGLE.
 - SWITCHES TO HAVE A RED TOGGLE FOR ISOLATION PURPOSES.
 - MAIN SWITCHES ADDED TO ALL SUB-MAINS SUPPLIES.

DISTRIBUTION BOARD No.###

REFERENCES

DESCRIPTION	DRAWING No.
LIGHTING PLAN	-
SWITCHBOARD GA	-
SWITCHBOARD SCHEMATIC	-
POLE SCHEDULE	-
CABLE ROUTE DIAGRAM	-

METADATA

GROUND SURVEY STANDARD: -

DATE OF CAPTURE: -

MAPPING SURVEY STANDARD: -

DATE OF CAPTURE: -

MAIN ROADS PROJECT ZONE: -

HEIGHT DATUM: -

Government of Western Australia

WESTERN AUSTRALIA

METROPOLITAN REGION

WATERLOO CRESCENT EAST PERTH 6004
Telephone (08) 9323 4111 Fax (08) 9323 4684

FILE NUMBER

DESIGNED / DRAWN R. LEE / E. HENNING

VERIFIED B. CHAREHJOO - 24/2/2015

APPROVED R. GROVE - 24/2/2015

Government of Western Australia

WESTERN AUSTRALIA

METROPOLITAN REGION

WATERLOO CRESCENT EAST PERTH 6004
Telephone (08) 9323 4111 Fax (08) 9323 4684

GUIDELINE & STANDARD DRAWING

MAJOR RD/ MINOR ROAD

DOUBLE DOOR SWITCHBOARD

SCHEMATIC DIAGRAM

DISTRIBUTION BOARD No. ### - SHEET 1 OF 1

LOCAL AUTHORITY

MRWA DRAWING NUMBER

201531-0023 2

N.T.S. 1