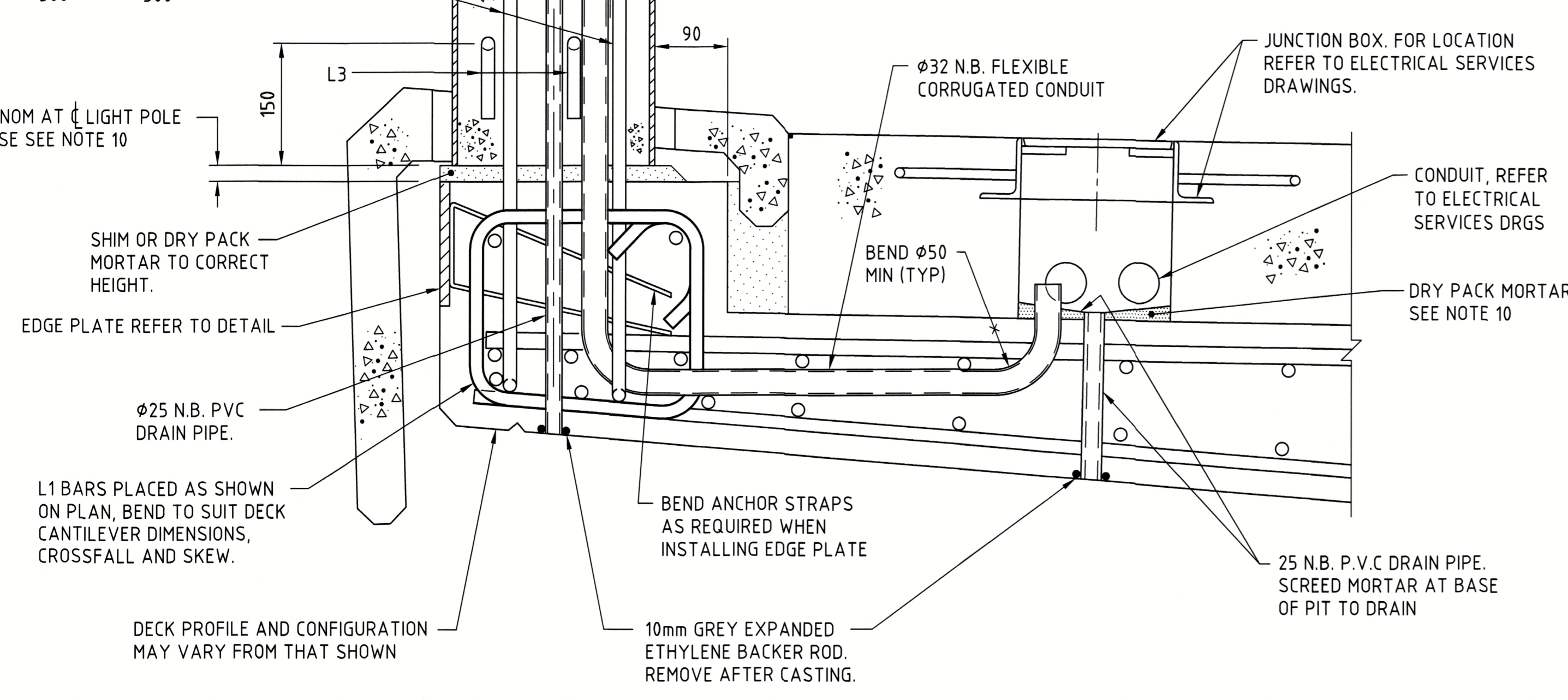
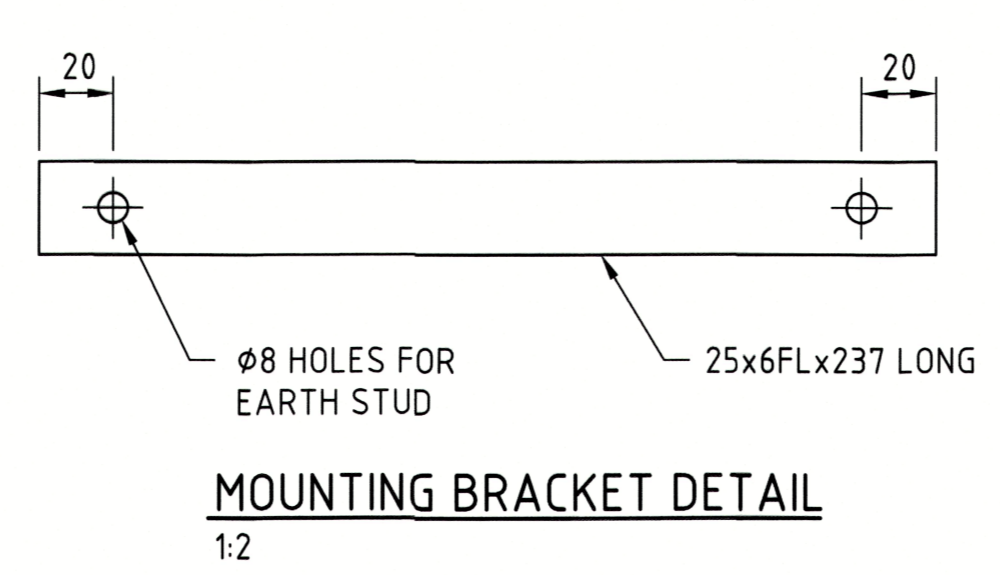


The Light Pole Base can ONLY be installed on bridges where there is a traffic barrier between the Light Pole and the vehicle traffic.

This drawing is provided for the purpose of maintaining existing balustrade only and is **NOT** to be used for the installation of NEW balustrade



BAR MARK KEY

Mark No.	No. Off	Grade	Diameter	Centres
L2 - 2	-	N16	-	-

- NOTES:**
- FOR SURFACE TREATMENT TO LIGHT POLE BASE REFER TO THE SPECIFICATION.
 - ALL NUTS, BOLTS AND WASHERS SHALL BE HOT DIP GALVANIZED IN ACCORDANCE WITH AS 1214. NUTS AND THREADED HOLES IN PLATES SHALL BE TAPPED OVERSIZE TO SUIT.
 - ALL STRUCTURAL STEEL HOLLOW SECTIONS SHALL BE MINIMUM GRADE C350 IN ACCORDANCE WITH AS 1163.
 - UNLESS OTHERWISE SPECIFIED ALL STRUCTURAL STEEL SECTIONS SHALL BE MINIMUM GRADE 300 IN ACCORDANCE WITH AS/NZS 3679.1.
 - ALL STRUCTURAL STEEL PLATE SHALL BE MINIMUM GRADE 250 IN ACCORDANCE WITH AS/NZS 3678.
 - FABRICATION SHALL COMPLY WITH THE REQUIREMENTS OF AS 4100 SECTIONS 14 & 15 STEEL STRUCTURES.
 - ALL WELDING SHALL BE GENERAL PURPOSE IN ACCORDANCE WITH AS/NZS 1554.
 - ALL BOLTS SHALL BE SUPPLIED WITH NUTS & WASHERS WHERE SHOWN. HIGH STRENGTH GRADE 8.8. BOLTS, NUTS AND WASHERS SHALL BE IN ACCORDANCE WITH AS/NZS 1252. ALL OTHER BOLTING, NUTS AND WASHERS SHALL BE COMMERCIAL GRADE (GRADE 4.6S) IN ACCORDANCE WITH AS 1111 & AS 1112.
 - LIGHT POLE BASE SHALL BE INSTALLED VERTICAL. CARE SHALL BE TAKEN TO ENSURE THAT THE BALUSTRADE FIXING BRACKETS ARE AT A HEIGHT SUITABLE TO ENSURE A SMOOTH BALUSTRADE PROFILE.
 - DRY PACK MORTAR TO BE MADE FROM CLEAN DRY SAND AND ORDINARY PORTLAND CEMENT IN THE PROPORTION OF 3:1 WITH THE ADDITION OF THE MINIMUM AMOUNT OF WATER NECESSARY FOR WORKABILITY.
 - JUNCTION BOX COVER SHALL FIT FLUSH WITH THE TOP OF THE SHARED PATH AND COVER FIXING SCREWS SHALL BE LUBRICATED TO ENSURE EASY REMOVAL.
 - ALL P.V.C. LIGHTING CONDUITS SHALL BE FITTED WITH A 2.5mm² SHEATHED DRAW WIRE.
 - CONCRETE SHALL BE CLASS S35.
 - REINFORCEMENT SHALL BE IN ACCORDANCE WITH :-
N - 500 MPa REINFORCING BARS TO AS/NZS 4671.
 - REINFORCEMENT DESIGNED TO AS 5100 BRIDGE DESIGN CODE USING GRADE 500 MPa.
 - BAR MARKS USED L1 TO L4.
 - FOR DETAILS OF CUTTING & BENDING OF REINFORCEMENT REFER SPECIFICATION.
 - MINIMUM COVER TO REINF ENCASED IN LIGHT POLE BASE TO BE 30mm UNLESS OTHERWISE NOTED.

SECTIONAL ELEVATION (A)
1:5

PLAN
1:5

MOUNTING BRACKET DETAIL
1:2

03/08/23		DRAWING TITLE BLOCK UPGRADED. ADDED DRAWING IS FOR MAINTENANCE PURPOSES ONLY. NOTE.		R. SCANLON	
No.	DATE	DESCRIPTION	AUTHORISED		
AMENDMENTS					
PLANNING AND TECHNICAL SERVICES DIRECTORATE					
STRUCTURES ENGINEERING					
Telephone (08) 9323 4111					
FILE No.	04/7221	JOB No.			
DRAWN	C. FITZGERALD AUG 2006	DESIGNED	BASED ON DRG N° 0630-0405-4		
CHECKED	W. GILES AUG 2006	VERIFIED	E.R. SMITH 12/12/2006		
APPROVED	R.F. SCANLON	12/12/2006			



STANDARD DRAWING
BRIDGE LIGHT POLE BASE
SHEET N° 1

DRAWING NUMBER AMEND.
0630-1901-1

THIS DRAWING SHALL BE READ IN CONJUNCTION WITH DRG N° 0630-1902, 0530-1456 AND PROJECT SPECIFIC DRAWINGS SHOWING LIGHT POLE LOCATIONS, RAILING AND PARAPET PANELS LAYOUT AND INSTALLATION DETAILS.

SCALE: 1:10, 1:5, 1:2, 1:1, 1:50, 1:100, 1:200, 1:300, 1:400, 1:500, 1:600, 1:700, 1:800, 1:900, 1:1000